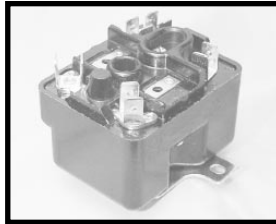


Type 129
Screw Terminal



Type 129
1/4" Quick Connect Terminal



Type 129 AR



STANCOR PART NUMBER	Pole Form	Type	Coil Voltage	Power Rating		DIMENSIONS-INCHES			Weight (oz.)	Agency* Certification
				Inductive	Resistive	L	Case W	H		
A 129-902	1PNO	Screws	24	18 Amp. Continuous 1 H.P. - 125V. 2 H.P. - 250V. Single Phase	18 Amp. Continuous	2.44	1.91	1.95	6.5	UL/CSA
129-903	1PNO	Screws	120			2.44	1.91	1.95	6.5	UL/CSA
129-904	1PNO	Screws	208/230			2.44	1.91	1.95	6.5	UL/CSA
B 129-906	1PDT	Screws	24			2.44	1.91	1.95	6.5	UL/CSA
129-907	1PDT	Screws	120			2.44	1.91	1.95	6.5	UL/CSA
129-911	1PNO	1/4" QC	24			2.44	1.91	1.95	6.5	UL/CSA
129-912	1PNO	1/4" QC	120	2.44	1.91	1.95	6.5	UL/CSA		
C 129AR-901	1PNO	Leads	24	18 Amp. Continuous 1 H.P. - 120V. 1.5 H.P. - 250V. Single Phase	18 Amp. Continuous	3.10	2.60	2.80	12.5	UL/CSA
129AR-902	1PNO	Leads	120			3.10	2.60	2.80	12.5	UL/CSA
129AR-904	1PDT	Leads	24			3.10	2.60	2.80	12.5	UL/CSA
129AR-905	1PDT	Leads	120			3.10	2.60	2.80	12.5	UL/CSA

— Totally Enclosed

— Double-Break Contacts

* Agency Certification Note: U.L. Recognized (File E12139)
CSA Certified (File LR13360)

For schematic diagrams and outline drawings refer to page 78.

Engineering Design Data

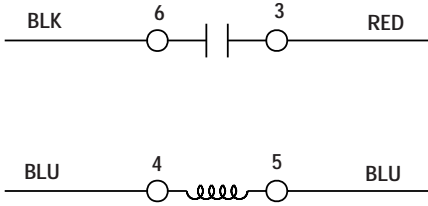
A.C. Type	Magnet Coil Rating (Volt Amperes)		Operation in % of Nom. Coil Rating			Breakdown Voltages All Terminals - 60 Hz RMS			Contact Material	Electrical Life	Mechanical Life		Max. Oper. Amb. °F		
	Inrush	Sealed Nom.	Max.	Pick-up	Max. Safe Operate	Opposite Polarity	Open Contacts Same Polarity	To Ground			Power	Pilot		Oper. At Rated Load	Oper. Per Min.
129	10	4.5	5	85%	110%	1500	1000	1500	Silver Alloy	-	100,000†	6	500,000	60	130
129AR	10	4.5	5	85%	110%	1500	1000	1500	Silver Alloy	-	100,000†	3	500,000	60	130

† Load tests - making inrush ratings (0.4 to 0.5 P.F.) - breaking 125% continuous rating (0.65 to 0.8 P.F.)

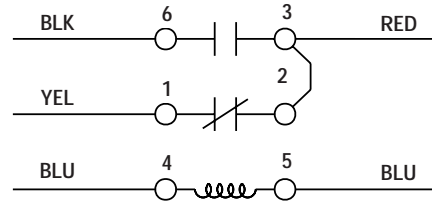


A.C. Power Relays-Type 129

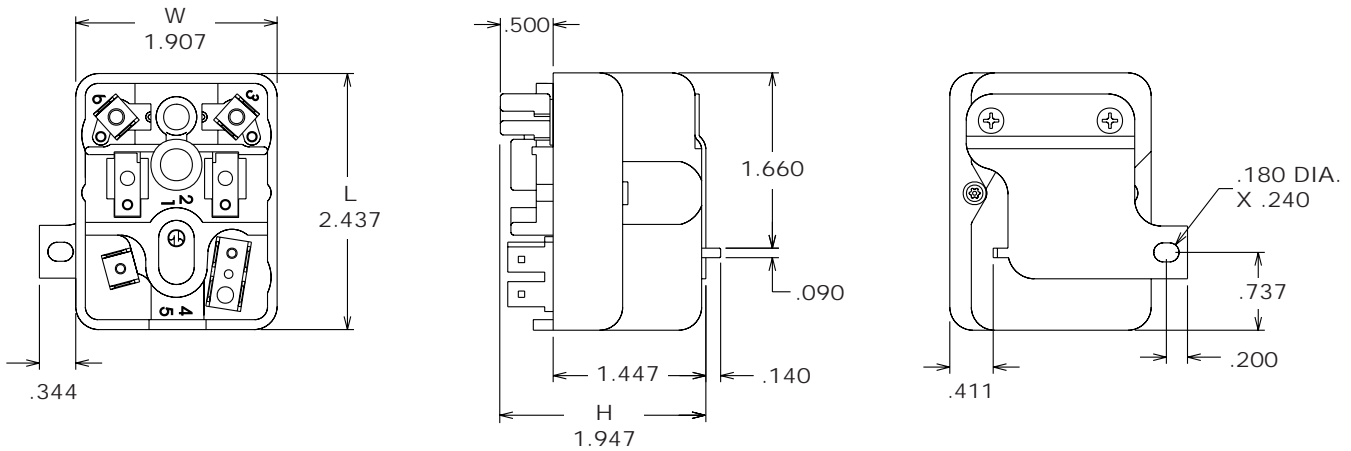
Schematic
129 1PNO



Schematic
129 1PDT



Type 129



Type 129AR

