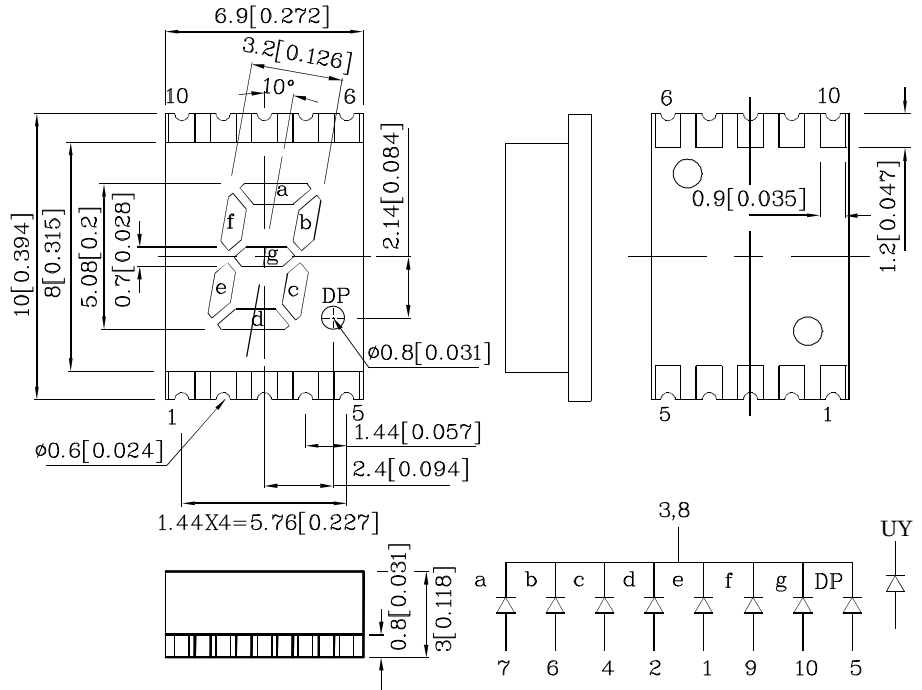


**Features**

- 0.2 inch digit height
- Robust package
- Low power consumption
- Standard configuration: Gray face w/ white segments
- Package : 650pcs / reel
- Moisture sensitivity level : level 2a
- RoHS compliant



**Package Schematics**



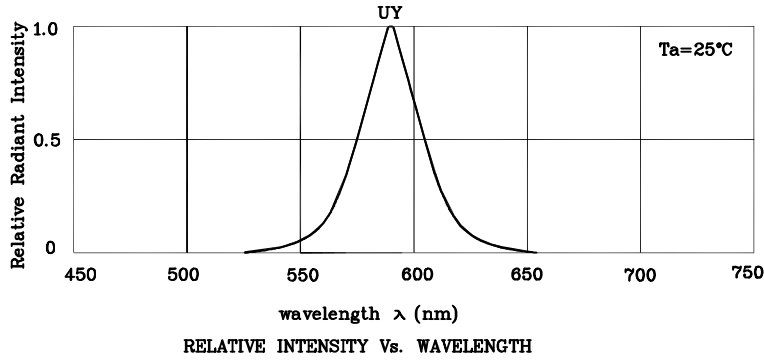
**Notes:**

1. All dimensions are in millimeters (inches), Tolerance is ±0.25(0.01") unless otherwise noted.
2. Specifications are subject to change without notice.
3. The gap between the reflector and PCB shall not exceed 0.25mm.

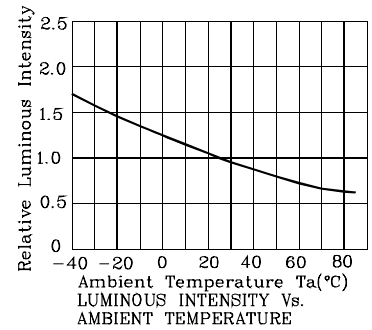
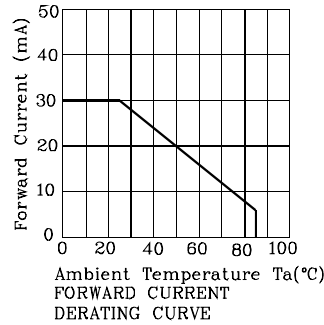
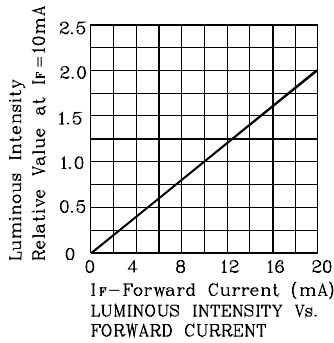
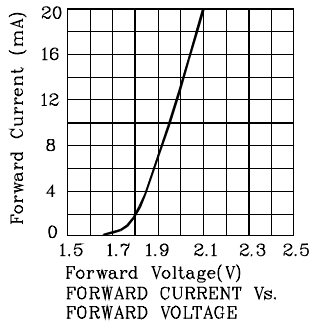
| Absolute Maximum Ratings (T <sub>A</sub> =25°C)          |                  | UY (GaAsP/GaP) | Unit |
|--|------------------|----------------|------|
| Reverse Voltage  | V <sub>R</sub>   | 5              | V    |
| Forward Current  | I <sub>F</sub>   | 30             | mA   |
| Forward Current (Peak) 1/10 Duty Cycle 0.1ms Pulse Width | i <sub>FS</sub>  | 140            | mA   |
| Power Dissipation  | P <sub>D</sub>   | 75             | mW   |
| Operating Temperature                                    | T <sub>A</sub>   | -40 ~ +85      | °C   |
| Storage Temperature                                      | T <sub>stg</sub> | -40 ~ +85      |      |

| Operating Characteristics (T <sub>A</sub> =25°C)                       |                | UY (GaAsP/GaP) | Unit |
|--|----------------|----------------|------|
| Forward Voltage (Typ.) (I <sub>F</sub> =10mA)                          | V <sub>F</sub> | 1.95           | V    |
| Forward Voltage (Max.) (I <sub>F</sub> =10mA)                          | V <sub>F</sub> | 2.5            | V    |
| Reverse Current (Max.) (V <sub>R</sub> =5V)                            | I <sub>R</sub> | 10             | µA   |
| Wavelength of Peak Emission (Typ.) (I <sub>F</sub> =10mA)              | λ <sub>P</sub> | 590            | nm   |
| Wavelength of Dominant Emission (Typ.) (I <sub>F</sub> =10mA)          | λ <sub>D</sub> | 588            | nm   |
| Spectral Line Full Width At Half-Maximum (Typ.) (I <sub>F</sub> =10mA) | Δλ             | 35             | nm   |
| Capacitance (Typ.) (V <sub>F</sub> =0V, f=1MHz)                        | C              | 20             | pF   |

| Part Number | Emitting Color | Emitting Material | Luminous Intensity (I <sub>F</sub> =10mA) ucd |      | Wavelength nm λP | Description                      |
|-------------|----------------|-------------------|---|------|------------------|----------------------------------|
|             |                |                   | min.  | typ. |                  |                                  |
| XZFUY05C    | Yellow         | GaAsP/GaP         | 900   | 2490 | 590              | Common Cathode, Rt.Hand Decimal. |



❖ UY



**LED is recommended for reflow soldering and soldering profile is shown below.**

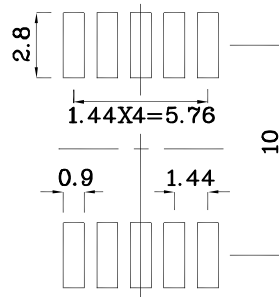
**Reflow Soldering Profile for SMD Products (Pb-Free Components)**



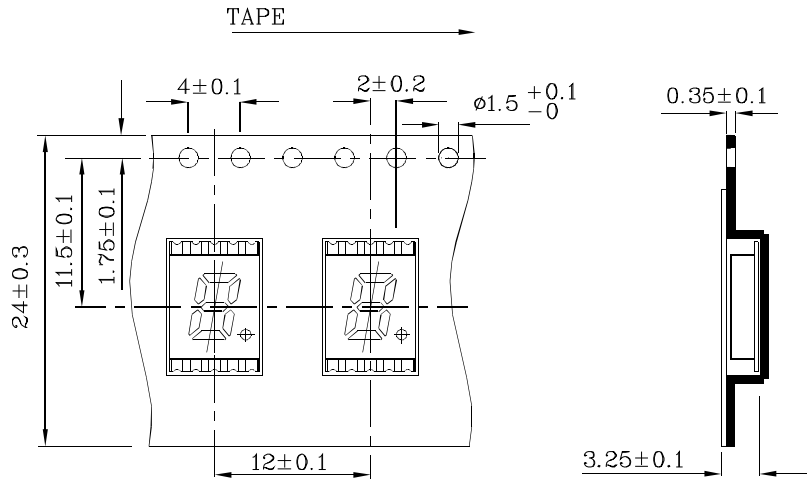
- Notes:
1. Maximum soldering temperature should not exceed 260°C
  2. Recommended reflow temperature: 145°C-260°C
  3. Do not put stress to the epoxy resin during high temperatures conditions



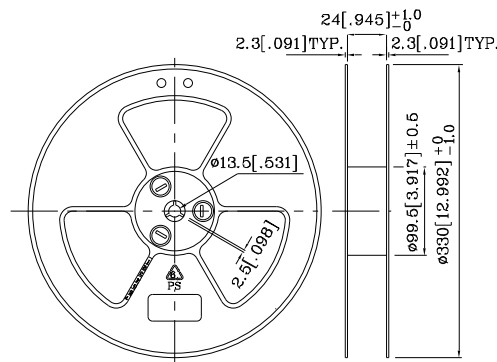
❖ Recommended Soldering Pattern (Units : mm; Tolerance:  $\pm 0.15$ )



❖ Tape Specification (Units : mm)



❖ Reel Dimension



Remarks:

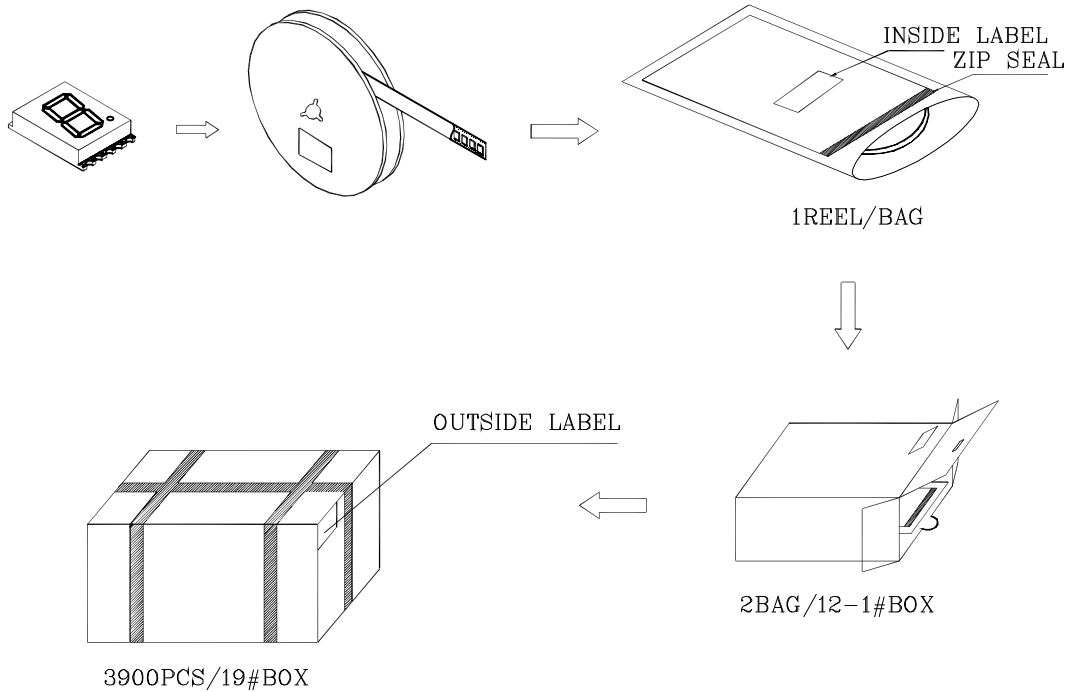
If special sorting is required (e.g. binning based on forward voltage, Luminous intensity / luminous flux, or wavelength), the typical accuracy of the sorting process is as follows:

1. Wavelength:  $\pm 1$ nm
2. Luminous intensity / luminous flux:  $\pm 15\%$
3. Forward Voltage:  $\pm 0.1$ V

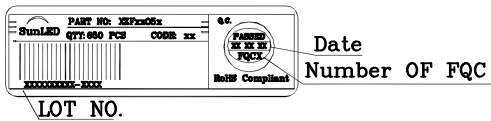
Note: Accuracy may depend on the sorting parameters.



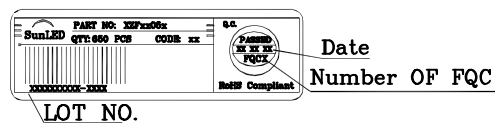
PACKING & LABEL SPECIFICATIONS



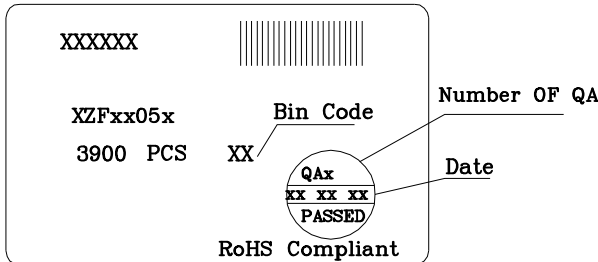
Inside Label On tape



Outside Label On Bag



Outside Label On 19#Box



Outside Label On 12-1#Box

