

PRELIMINARY SPEC

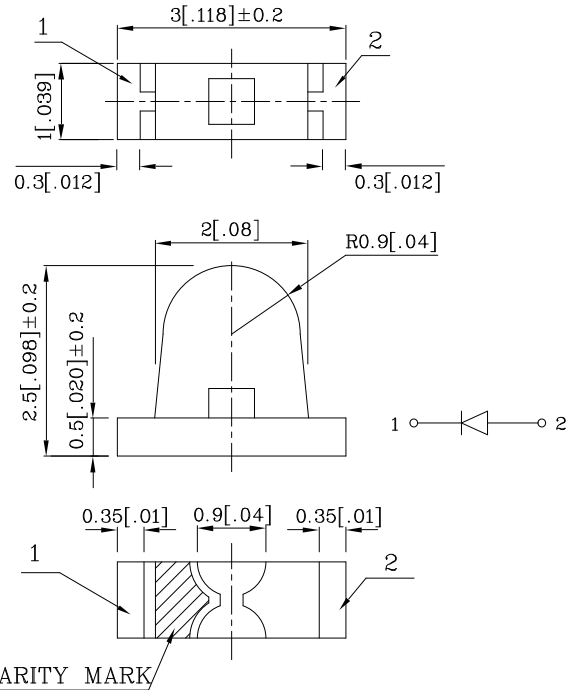
**Features**

- 3.0mm x 1.0mm RIGHT ANGLE SMT LED, 2.5mm THICKNESS.
- LOW POWER CONSUMPTION.
- WIDE VIEWING ANGLE.
- IDEAL FOR BACK LIGHT AND INDICATOR.
- VARIOUS COLORS AND LENS TYPES AVAILABLE.
- PACKAGE : 2000PCS / REEL.
- MOISTURE SENSITIVITY LEVEL : LEVEL 3.
- RoHS COMPLIANT.



Notes:

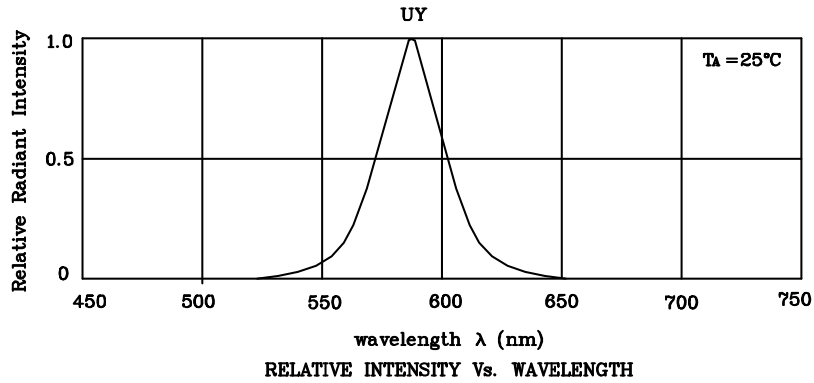
1. All dimensions are in millimeters (inches).
2. Tolerance is  $\pm 0.15(0.006")$  unless otherwise noted.
3. Specifications are subject to change without notice.



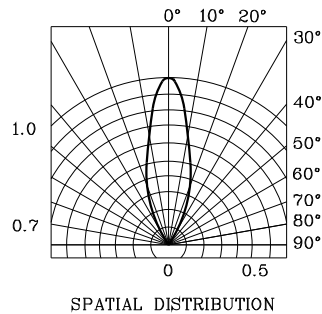
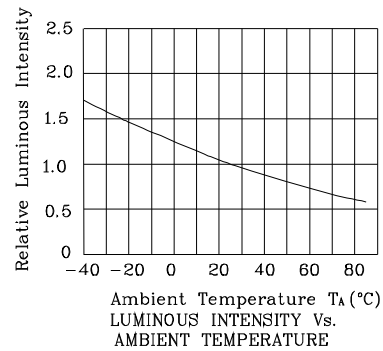
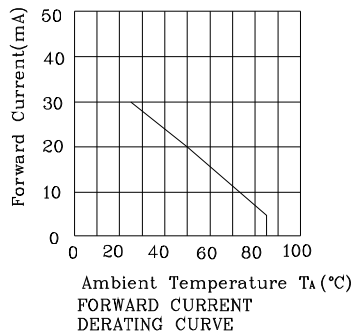
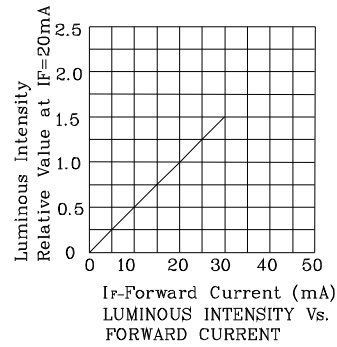
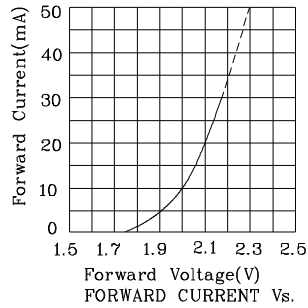
| Absolute Maximum Ratings<br>(TA=25°C)                          |                  | UY<br>(GaAsP/GaP) | Unit |
|----------------------------------------------------------------|------------------|-------------------|------|
| Reverse Voltage                                                | V <sub>R</sub>   | 5                 | V    |
| Forward Current                                                | I <sub>F</sub>   | 30                | mA   |
| Forward Current (Peak)<br>1/10 Duty Cycle<br>0.1ms Pulse Width | i <sub>FS</sub>  | 140               | mA   |
| Power Dissipation                                              | P <sub>T</sub>   | 75                | mW   |
| Operating Temperature                                          | T <sub>A</sub>   | -40 ~ +85         | °C   |
| Storage Temperature                                            | T <sub>stg</sub> | -40 ~ +85         |      |

| Operating Characteristics<br>(TA=25°C)                                       |                | UY<br>(GaAsP/GaP) | Unit |
|------------------------------------------------------------------------------|----------------|-------------------|------|
| Forward Voltage (Typ.)<br>(I <sub>F</sub> =20mA)                             | V <sub>F</sub> | 2.1               | V    |
| Forward Voltage (Max.)<br>(I <sub>F</sub> =20mA)                             | V <sub>F</sub> | 2.5               | V    |
| Reverse Current (Max.)<br>(V <sub>R</sub> =5V)                               | I <sub>R</sub> | 10                | uA   |
| Wavelength of Peak<br>Emission (Typ.)<br>(I <sub>F</sub> =20mA)              | λ P            | 590               | nm   |
| Wavelength of Dominant<br>Emission (Typ.)<br>(I <sub>F</sub> =20mA)          | λ D            | 588               | nm   |
| Spectral Line Full Width<br>At Half-Maximum (Typ.)<br>(I <sub>F</sub> =20mA) | Δλ             | 35                | nm   |
| Capacitance (Typ.)<br>(V <sub>F</sub> =0V, f=1MHz)                           | C              | 20                | pF   |

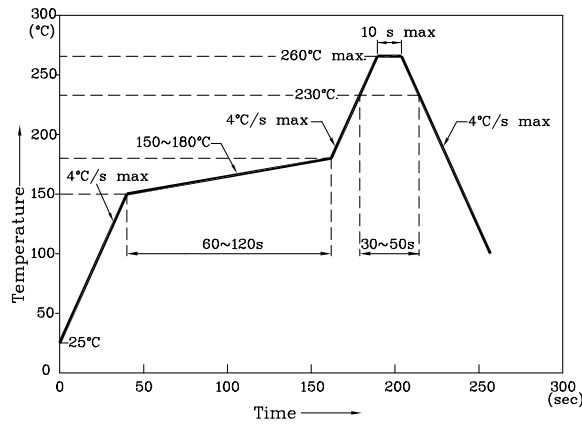
| Part Number                                                                                      | Emitting Color | Emitting Material | Lens-color  | Luminous Intensity<br>(I <sub>F</sub> =20mA)<br>mcd |      | Wavelength<br>nm<br>λ P | Viewing Angle<br>2 θ 1/2 |
|--------------------------------------------------------------------------------------------------|----------------|-------------------|-------------|-----------------------------------------------------|------|-------------------------|--------------------------|
|                                                                                                  |                |                   |             | min.                                                | typ. |                         |                          |
| XZUY56W-1                                                                                        | Yellow         | GaAsP/GaP         | Water Clear | 2.6                                                 | 7    | 590                     | 30°                      |
| Published Date : JAN 23,2008      Drawing No :XDSB1816      V1      Checked : B.L.LIU      P.1/4 |                |                   |             |                                                     |      |                         |                          |



❖ UY



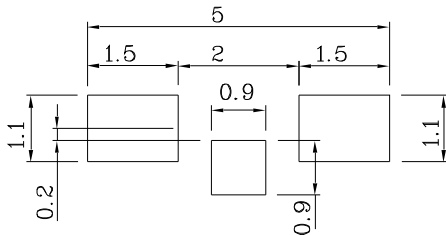
Reflow Soldering Profile For Lead-free SMT Process.



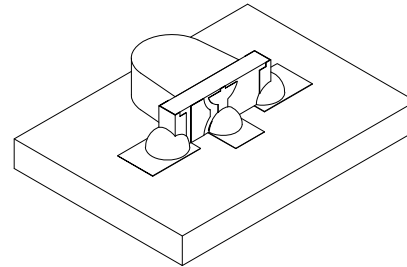
NOTES:

1. Maximum soldering temperature should not exceed 260°C.
2. Recommended reflow temperature: 145°C-260°C.
3. Do not put stress to the epoxy resin during high temperatures conditions.

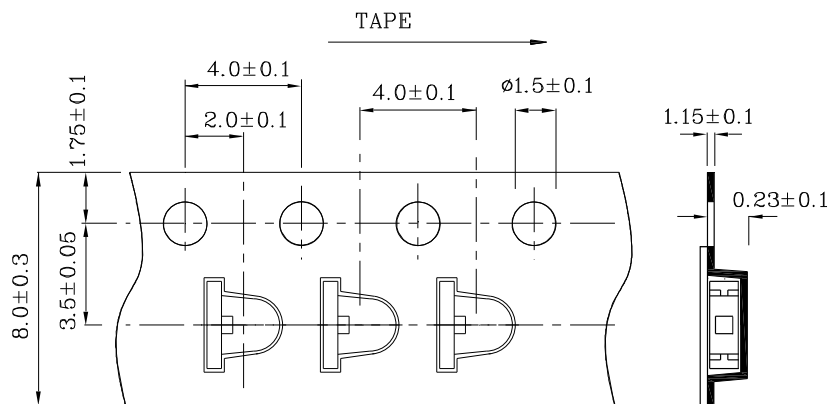
❖ Recommended Soldering Pattern (Units : mm; Tolerance: ±0.1)



❖ The device has a single mounting surface. The device must be mounted according to the specifications.



❖ Tape Specification (Units : mm)



Remarks:

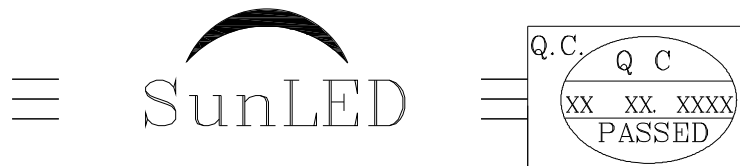
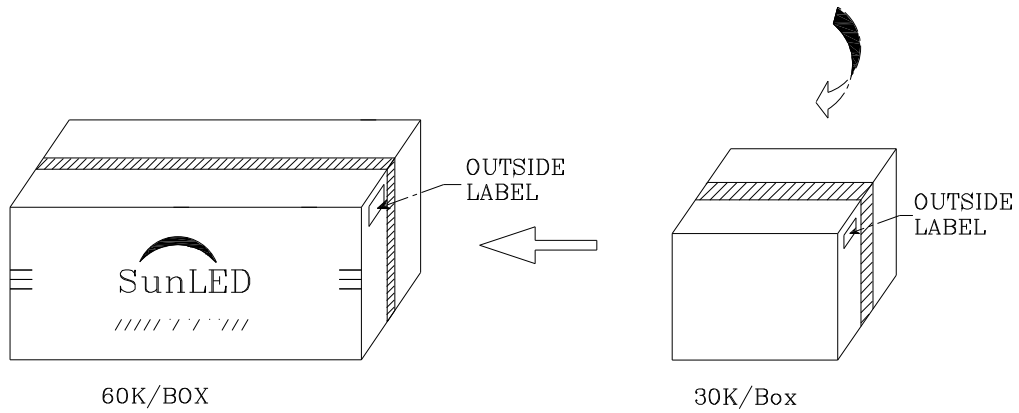
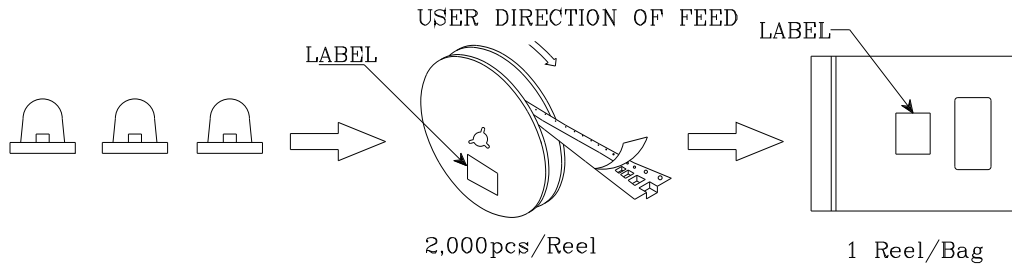
If special sorting is required (e.g. binning based on forward voltage, luminous intensity / luminous flux or wavelength), the typical accuracy of the sorting process is as follows:


1. Wavelength: +/-1nm
2. Luminous Intensity / luminous flux: +/-15%
3. Forward Voltage: +/-0.1V

Note: Accuracy may depend on the sorting parameters.

**PACKING & LABEL SPECIFICATIONS**

**XZUY56W-1**



|                                                                                                                      |           |
|----------------------------------------------------------------------------------------------------------------------|-----------|
| P/NO : XZxx56x-1                                                                                                     |           |
| QTY : 2,000 pcs                                                                                                      | CODE: XXX |
| S/N : XX                                                                                                             |           |
| LOT NO :                                                                                                             |           |
| <br>XXXXXXXXXXXXXXXXXXXXXXXXXXXX |           |
| RoHS Compliant                                                                                                       |           |