

REV. Status

ISSUE 1  
2/27/92 DS

ISSUE 2  
UPDATED  
FORMAT  
TEMECULA  
WAS CARSON  
10/02/95 DS

ISSUE 3  
PLUG LENGTH  
WAS 9.5(0.375)  
ADDED "REF:  
MATING CONN..."  
03/12/96 TS

1. Electrical specifications

- 1.1 Input voltage: AC 120V ±10% 60 Hz ±0.5 Hz
- 1.2 Output voltage and current: DC 12V at 200mA

V <sub>in</sub>	200mA Load	20mA Load
108	9.4 VDC MIN	-
120	11.2-12.8 VDC	17.2 VDC MAX
132	-	19.2 VDC MAX

NOTE: Specification applies after 10 minutes warm-up with 200mA load and at any operating temperature

- 1.3 Operating temperature: 0 ° C to +40 ° C
- 1.4 Storage temperature: -20 ° C to +85 ° C
- 1.5 Operating and Storage Humidity: 0 to 95% without condensation
- 1.6 Withstand voltage: AC 1500Vrms 1 minute @ input to output

2. Typical performance data test condition: Ta = +25°C, measured after 10 minute warm-up with input at 120V 60Hz

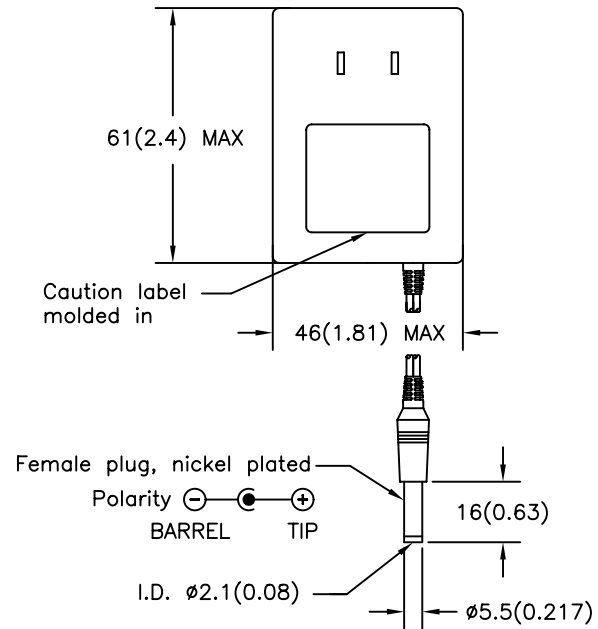
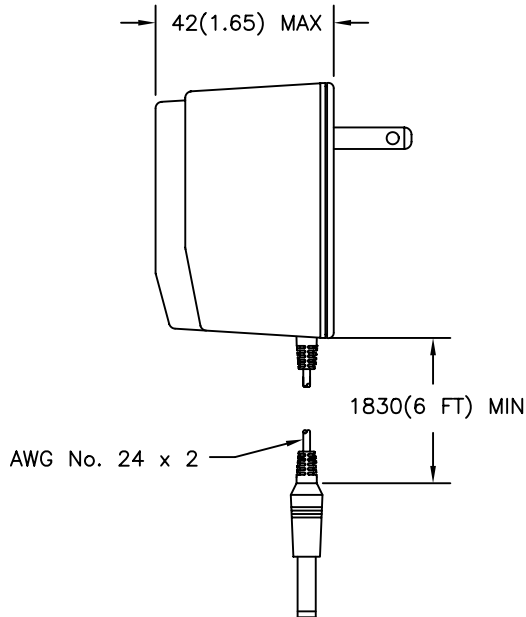
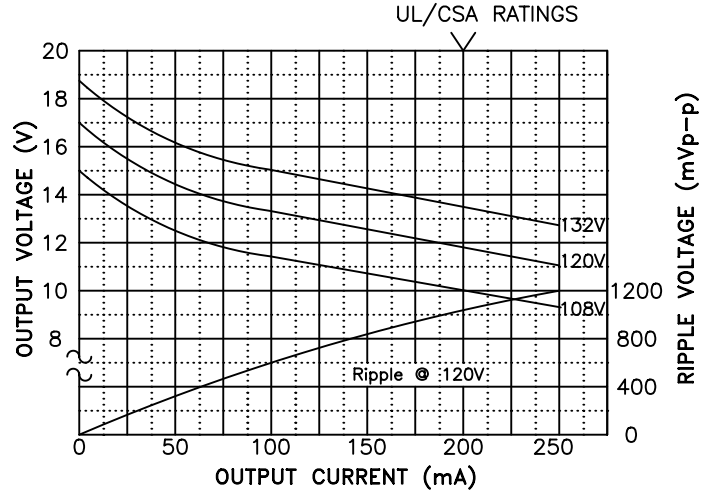
3. Safety agencies

UL File No. E82180  
Transformer UL1411, recognition No. 3535  
CSA File No. LR38236

4. Nameplate: See drawing P-N1-11065 for detail

5. Mechanical Specifications

All dimensions shown are nominal unless otherwise specified



TOLERANCES (mm)
≤ 4 ± 0.2
4 ≤ 20 ± 0.3
20 ≤ 50 ± 0.4

PREPARED BY:

K. Brennan

REFERENCE: MATING CONNECTOR: UNKNOWN

ENGINEER:

DWG CONTROL NO. P-A7-00061  
ACAD\PS\A7000611.DWG

REV B

UL/CSA DC 12V 200mA  
POWER SUPPLY

318A4146

QUALITY CONTROL:

CONTENTS OF THIS DRAWING ARE SUBJECT TO CHANGE WITHOUT PRIOR NOTICE

**TAMURA CORPORATION OF AMERICA**  
43352 BUSINESS PARK DRIVE, TEMECULA, CA. 92590-6624  
(909) 699-1270 FAX 9096769482

MODEL SPECIFICATION

M. Ong

DIM: mm(In) SCL: NONE SH: 1 OF 1

APPROVED:

M. Ong

PROPRIETARY NOTICE: THIS DRAWING PRINT OR DOCUMENT AND SUBJECT MATTER DISCLOSED HEREIN ARE PROPRIETARY ITEMS TO WHICH TAMURA RETAINS THE EXCLUSIVE RIGHT OF DISSEMINATION, REPRODUCTION, MANUFACTURE AND SALE. THIS DRAWING, PRINT OR DOCUMENT IS SUBMITTED IN CONFIDENCE FOR CONSIDERATION BY THE RECIPIENT ALONE UNLESS PERMISSION FOR FURTHER DISCLOSURE IS EXPRESSLY GRANTED IN WRITING.