

REV. Status

ISSUE 1  
3/16/91 TS

ISSUE 2  
TEMECULA  
WAS CARSON.  
UPDATED LABELS  
12/15/92 TS

ISSUE 5  
ADDED PF12-16  
MICROTRAN.  
REFORMATTED  
01/10/96 TS

LOW PROFILE, THREE FLANGE 12VA POWER TRANSFORMER APPROVED TO UL506 AND CSA C22.2 NO. 66-1988 AND USES A UL CLASS B (130°C) APPROVED INSULATION SYSTEM

A. Electrical Specifications (@ 25°C)

1. Input Voltage and Frequency; 115/230V 50/60 Hz
2. Output Voltage; 16V ±5% @ 0.7A load, series  
8V ±5% @ 1.4A load, parallel
3. Output Power; 12 VA
4. Insulation Resistance;  
100 MΩ MIN @ 500VDC, Pri to Sec, Pri to Core, Sec to Core
5. Hi-Pot;  
1500 Vrms 1 minute @ Pri to Sec, Pri to Core  
1500 Vrms 1 minute @ Sec to Core
6. Temperature Rating; 130°C (UL Class "B")



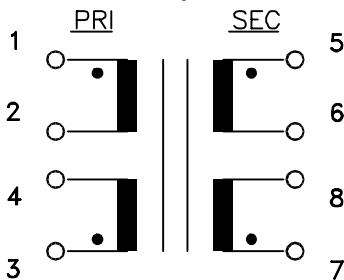
UL# E145619

B. Marking; 3FL16-700, TAMURA TEMECULA CA, MICROTRAN, PF12-16, date code, country of origin, input and output ratings, terminal numbers, safety symbols and "130B".

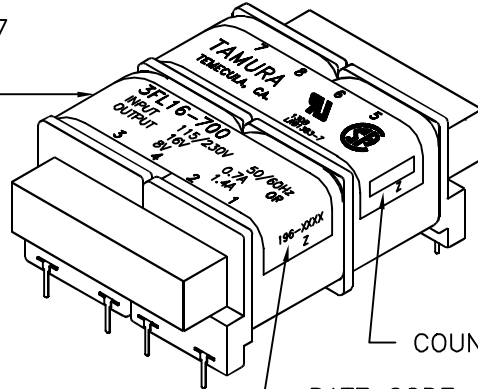
C. Safety:

UL approved, File E145619  
Insulation Class B (130° C) File E92957  
CSA Certified, File LR81383-7

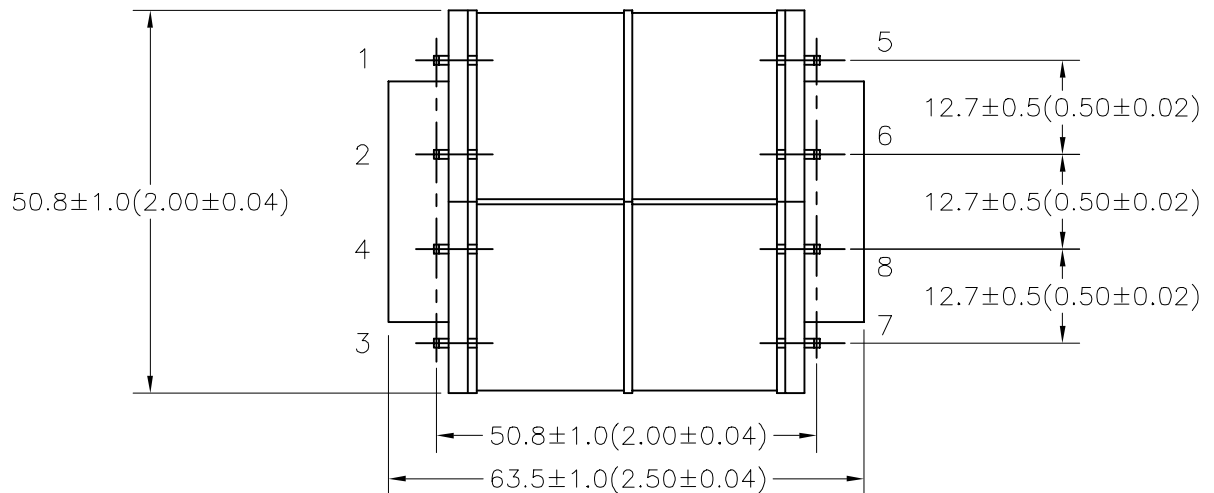
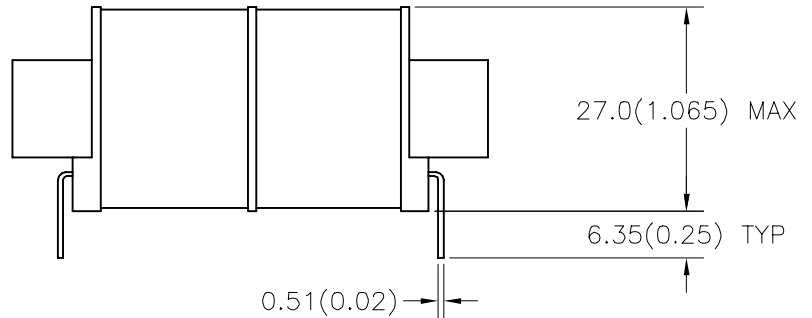
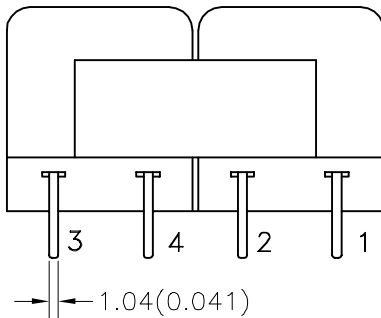
D. Schematic Diagram:



MICROTRAN®  
PF12-16



E. Mechanical Specifications:



TOLERANCES (mm)

≤ 4 ± 0.2  
4 ≤ 20 ± 0.3  
20 ≤ 50 ± 0.4

PREPARED BY:

K. Brennan

ENGINEER:

T. Shiozawa

QUALITY CONTROL:

V. Casey

APPROVED:

V. Casey

DWG CONTROL NO. REV  
P-A1-10583 B  
ACAD\3F\A1105831.DWG

CONTENTS OF THIS DRAWING ARE  
SUBJECT TO CHANGE WITHOUT  
PRIOR NOTICE

PROPRIETARY NOTICE: THIS DRAWING PRINT OR DOCUMENT AND SUBJECT MATTER DISCLOSED HEREIN ARE PROPRIETARY ITEMS TO WHICH TAMURA  
RETAINS THE EXCLUSIVE RIGHT OF DISSEMINATION, REPRODUCTION, MANUFACTURE AND SALE. THIS DRAWING, PRINT OR DOCUMENT IS SUBMITTED IN  
CONFIDENCE FOR CONSIDERATION BY THE RECIPIENT ALONE UNLESS PERMISSION FOR FURTHER DISCLOSURE IS EXPRESSLY GRANTED IN WRITING.

3 FLANGE BOBBIN  
POWER TRANSFORMER  
**TAMURA CORPORATION OF AMERICA**  
43352 BUSINESS PARK DRIVE, TEMECULA, CA. 92590-6624  
(909) 699-1270 FAX 9096769482

3FL16-700

MODEL SPECIFICATION

DIM: mm(In) SCL: NONE SH: 1 OF 1

MODEL NUMBER

3FL16-700