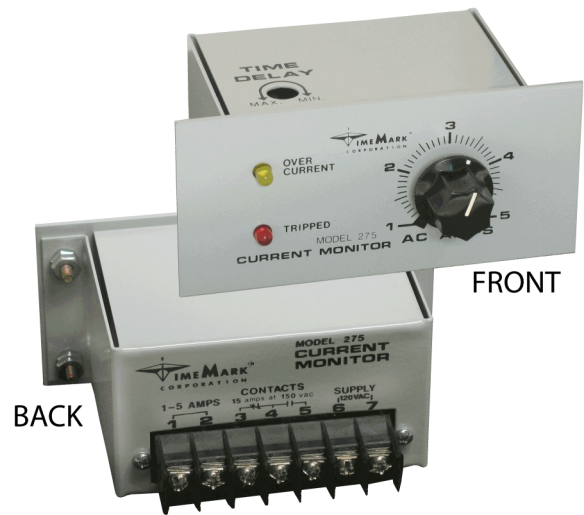


MODEL 275

Single Phase Current Monitor

- Panel mounted
- Auto or manual reset
- Over current and tripped indicators
- Matches standard current transformers



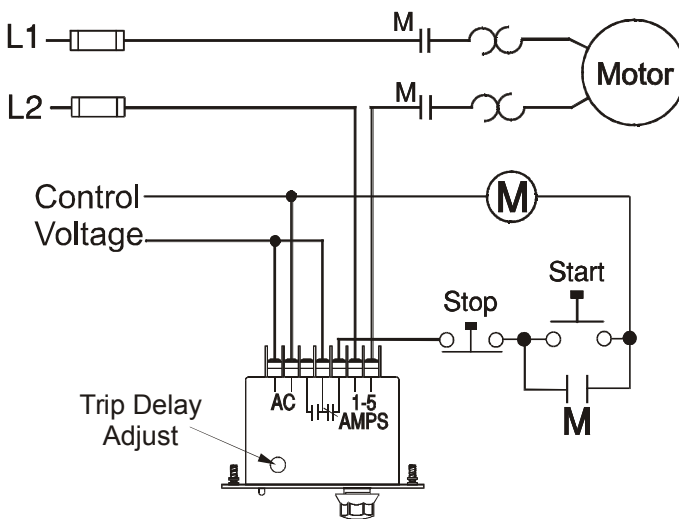
DESCRIPTION

The **Model 275 Single Phase Current Monitor** is designed for monitoring alternating current in the range of 1-5 amps, at 50 to 400Hz. The Model 275 provides a contact transfer when the set current level is exceeded for a period longer than the time delay. The OVER-CURRENT indicator illuminates immediately. After the time delay, the TRIPPED indicator lights and the relay contact transfers.

This device can directly monitor AC currents in the range of 1 to 5 amps; 50-400Hz. Matching transformers are available to extend the use of this monitor to most any current range.

The Model 275 is available with automatic or manual reset. Operating power is supplied by separate 24 or 120 volt power supply.

TYPICAL APPLICATION



Shows No Power Applied

SPECIFICATIONS

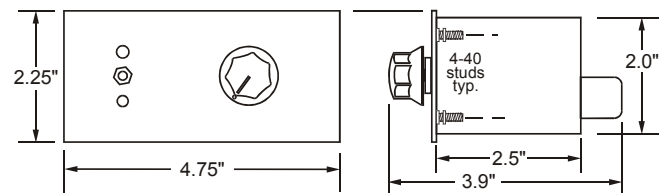
MODEL	275
Supply voltage	120VAC or 24VAC
Power consumption	1 watt max.
Transient protection	2500V for 10ms
Frequency range	50-400Hz
Current range	1-5 amps
Trip delay range	adjustable 0.2 - 20 sec
Repeat accuracy	1% max.
Dead band	1% max
Contact Rating	SPDT 10A at 240VAC resistive
Operating temp	- 20° to +131° F
Expected relay life	Mech: 10 million operations Elec: 100,000 ops at rated load
Reset	Automatic or Manual
Humidity tolerance	0-97% without condensation
Case material	20 Gauge CRS
Weight	11.5 oz.

ORDERING OPTIONS

MODEL	VOLTS	RESET
275-5	24VAC	Auto
	120VAC	Manual

EXAMPLE: 275-5-120-A orders a Model 275 1-5 amps 120VAC automatic reset current monitor.

DIMENSIONS



Telephone: Main - (918) 438-1220
Sales - (800) 862-2875
Fax: (918) 437-7584
E-mail: sales@time-mark.com
Internet: http://www.time-mark.com



11440 East Pine Street
Tulsa, Oklahoma 74116

11/2011
© 2011 TIME MARK CORPORATION

TIME MARK is a division of  AEMT, Inc.

MODEL 275

Single Phase Current Monitor

READ ALL INSTRUCTIONS BEFORE INSTALLING, OPERATING OR SERVICING THIS DEVICE.

KEEP THIS DATA SHEET FOR FUTURE REFERENCE.

GENERAL SAFETY

POTENTIALLY HAZARDOUS VOLTAGES ARE PRESENT AT THE TERMINALS OF THE MODEL 275. ALL ELECTRICAL POWER SHOULD BE REMOVED WHEN CONNECTING OR DISCONNECTING WIRING. THIS DEVICE SHOULD BE INSTALLED AND SERVICED BY QUALIFIED PERSONNEL.

Installation Instructions

INSTALLATION

Connect the AC power and the control wiring to the terminals with the appropriate markings (refer to the diagram on the unit). **For applications in the 1 to 5 amp range** make the connections directly to the motor to be monitored. **For applications over 5 amps**, Time Mark can supply a matching transformer to extend the use of this monitor to most any current range. Apply power.

ADJUSTMENT

Set the trip delay to the required amount of delay. If the desired AC amps trip level is known, set the AC AMPS adjustment to that point. A slight adjustment up or down may be necessary to allow for tolerance variations.

NOTE: If manual reset is used, press and hold the reset button during this next step.

Usually a trip is desired only if the current changes from the present nominal. For calibration, turn the TRIP DELAY to maximum.

ADJUSTMENT - continued

Turn the AC AMPS adjustment slowly down, until the yellow TRIPPED indicator lights. Turn the AC AMPS adjustment back until the light just goes out. Reset the TRIP DELAY to the previous setting.

TROUBLESHOOTING

Should the Model 275 Single Phase Current Monitor fail to operate, check all connections. Verify that power is present, and check all fuses. Should problems persist, contact the factory at 800-862-2875 for assistance.

WARRANTY

This product is warranted to be free from defects in materials and workmanship for one year. Should this device fail to operate, we will repair it for one year from the date of manufacture. For complete warranty details, see the *Terms and Conditions of Sales* page in the front section of the Time Mark catalog or contact Time Mark at 1-800-862-2875.

Telephone: Main - (918) 438-1220

Sales - (800) 862-2875

Fax: (918) 437-7584

E-mail: sales@time-mark.com

Internet: http://www.time-mark.com



TIME MARK
CORPORATION

11440 East Pine Street
Tulsa, Oklahoma 74116

11/2011

© 2011 TIME MARK CORPORATION

TIME MARK is a division of  AEMT, Inc.