

MODEL 334 MODEL 364

Delayed One-Shot Timer

- Most Common Voltage & Timing Ranges
- 5-Year Unconditional Warranty



DESCRIPTION

The **Model 334 and 364 Delayed One-Shot Timers** are functionally interchangeable. The Model 334 is a DPDT potentiometer (knob-adjust) timer while the Model 364 is a DPDT, high-accuracy digital input timer. Solid-state timing circuits in each model drive an internal electromechanical relay.

Upon application of power, the unit will start the OFF delay. After the OFF delay times out, the relay will energize for the ON time. When the ON time expires, the relay will de-energize and all timing will stop. Power must be removed and reapplied to begin timing again.

An "SG" version of this model is available using silver with gold flash contacts.

Models 334 and 364 are UL Recognized and CSA Certified.

SPECIFICATIONS

MODEL	334 (knob adj.)	364 (digital)
Voltage	L = 10-28V AC/DC H = 40-260V AC/DC	
Timing range	10SEC: 1 - 10 Sec. 60SEC: 1 - 60 Sec. 180SEC: 1 - 180 Sec. 300SEC: 1 - 300 Sec.	0.1SEC: 0.1 - 102.3 Sec. 1SEC: 1 - 1023 Sec. 1MIN: 1 - 1023 Min. 1HR: 1 - 1023 Hr.
Accuracy	± 5%	± 2%
Repeatability	± 2%	± 0.1%
Recycle time	100ms	
Operating temp	-20°F to 140°F	
Contact rating	DPDT, 240VAC @ 10A resistive	
Transient protection	775V, 80 Joules	
Humidity tolerance	0 - 97% w/o condensation	
Enclosure material	NORYL Plastic	
Mounting	8-pin socket (not included)**	
Weight	5 oz.	
Agency approval	UL Recognized and CSA Certified	
Additional Options	/C = Custom (Voltage and/or Timing) /SG = Silver with Gold Flash Contacts	

** order 8-pin socket number 51X120

UL SPECIFICATIONS*

Models	334 and 364
Input	
Voltage (VAC)	10-28V AC/DC OR 40-260V AC/DC
Power	3 Watts Max
Output	240V AC, 10A, Resistive 120V AC, 4A, General Use 240V AC, 2A, General Use C300, Pilot Duty

* Pilot Duty:
120V: Make 15A, Break 1.5A
240V: Make 7.5A, Break 0.75A

Ordering Examples (Model-Voltage-Timing Range [/Options]):
364-H-0.1SEC = Model 364 with a 40-260V AC/DC voltage range and a timing range of 0.1-102.3 seconds.

334-L-180SEC /SG = Model 334 with a 10-28V AC/DC voltage range, a timing range of 1-180 seconds, and optional silver with gold flash contacts.

Contact Time Mark to order a custom programmed unit

Telephone: Main - (918) 438-1220
Sales - (800) 862-2875
Fax: (918) 437-7584

E-mail: sales@time-mark.com
Internet: http://www.time-mark.com

SIGNALINE
DIV OF TIME MARK CORPORATION

11440 East Pine Street
Tulsa, Oklahoma 74116

02/2020
© 2020 TIME MARK CORPORATION

TIME MARK is a division of  AEMT, Inc.

MODEL 334 / 364

Delayed One-Shot Timers

READ ALL INSTRUCTIONS BEFORE INSTALLING, OPERATING OR SERVICING THIS DEVICE.
KEEP THIS DATA SHEET FOR FUTURE REFERENCE.

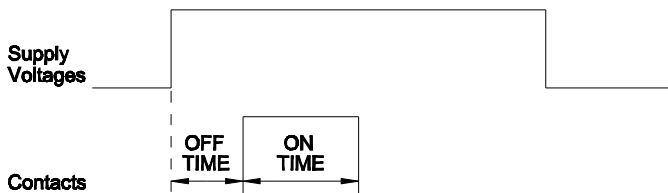
GENERAL SAFETY

POTENTIALLY HAZARDOUS VOLTAGES ARE PRESENT AT THE TERMINALS OF THE MODEL 334 OR 364.
ALL ELECTRICAL POWER SHOULD BE REMOVED WHEN CONNECTING OR DISCONNECTING WIRING.
THIS DEVICE SHOULD BE INSTALLED AND SERVICED BY QUALIFIED PERSONNEL.

Installation Instructions

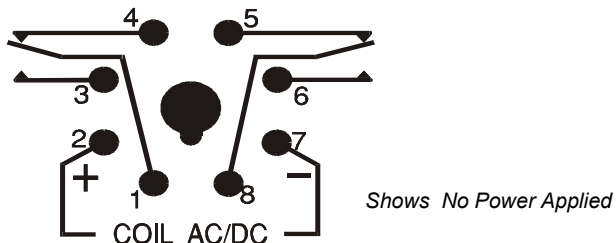
OPERATION

When the supply voltage is applied, the OFF cycle begins timing. Upon completion of the delay, the internal relay energizes and the ON cycle begins timing (ON and OFF cycles can be of equal or unequal durations). When the ON time expires, the relay will de-energize and all timing will stop. Power must be removed and reapplied to begin timing again.



PIN DIAGRAM

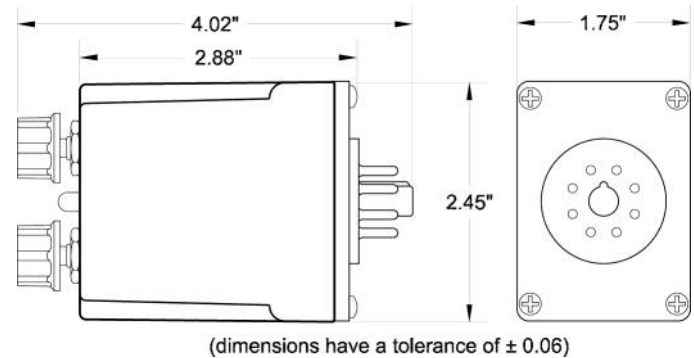
The Models 334 and 364 Delayed One-Shot Timers require a standard 8-pin socket for mounting, and use a standard pin configuration. Refer to the pin diagram below, or on the timer, for terminal connections.



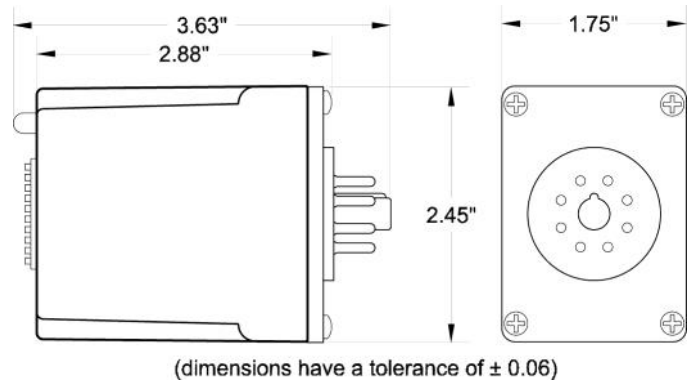
An LED on top of the unit provides a quick visual indicator of the relay's status.

LED Indicator	Unit Status
Green	Energized
Red	De-energized
Flashing (Green or Red)	Relay is Timing

DIMENSIONS - Model 334




DIMENSIONS - Model 364



Telephone: Main - (918) 438-1220
Sales - (800) 862-2875
Fax: (918) 437-7584
E-mail: sales@time-mark.com
Internet: http://www.time-mark.com

SIGNALINE
DIV OF TIME MARK CORPORATION

11440 East Pine Street
Tulsa, Oklahoma 74116
Page 2 of 3 02/2020
© 2020 TIME MARK CORPORATION
TIME MARK is a division of  AEMT, Inc.

READ ALL INSTRUCTIONS BEFORE INSTALLING, OPERATING OR SERVICING THIS DEVICE.
KEEP THIS DATA SHEET FOR FUTURE REFERENCE.

GENERAL SAFETY

POTENTIALLY HAZARDOUS VOLTAGES ARE PRESENT AT THE TERMINALS OF THE MODEL 334 OR 364.
ALL ELECTRICAL POWER SHOULD BE REMOVED WHEN CONNECTING OR DISCONNECTING WIRING.
THIS DEVICE SHOULD BE INSTALLED AND SERVICED BY QUALIFIED PERSONNEL.

Installation Instructions

ADJUSTMENT PROCEDURE - Model 364

The procedure to determine the switch selections for the digital Model 364 Delayed One-Shot Timer requires some simple calculations, which can be completed easily after the basic steps are explained.

- Convert the time required to minutes, seconds, or tenths of seconds, depending upon the timing range of the unit. For example:

$$7 \text{ hrs, } 32 \text{ min} = (7 \times 60) + 32 = 452 \text{ minutes}$$

$$15 \text{ min, } 2 \text{ secs} = (15 \times 60) + 2 = 902 \text{ seconds}$$

$$6.7 \text{ secs} = (6.7 \times 10) = 67 \text{ tenths of a second}$$

- To set a desired delay period on the timer, just add the values of the selected dip switches (beginning with the largest value first) to total the desired time.

e.g. #1: 100 seconds OFF; 900 seconds ON

ON		OFF	
1	<input type="checkbox"/>	1	<input type="checkbox"/>
2	<input type="checkbox"/>	2	<input type="checkbox"/>
4	<input checked="" type="checkbox"/>	4	<input checked="" type="checkbox"/>
8	<input type="checkbox"/>	8	<input type="checkbox"/>
16	<input type="checkbox"/>	16	<input type="checkbox"/>
32	<input type="checkbox"/>	32	<input checked="" type="checkbox"/>
64	<input type="checkbox"/>	64	<input checked="" type="checkbox"/>
128	<input checked="" type="checkbox"/>	128	<input type="checkbox"/>
256	<input checked="" type="checkbox"/>	256	<input type="checkbox"/>
512	<input checked="" type="checkbox"/>	512	<input type="checkbox"/>

Code: = switch OFF
 = switch ON

$$512 + 256 + 128 + 4 = 900 \text{ second ON delay}$$

$$64 + 32 + 4 = 100 \text{ second OFF delay}$$

e.g. #2: 5 minutes OFF; 55 minutes ON

ON		OFF	
1	<input checked="" type="checkbox"/>	1	<input checked="" type="checkbox"/>
2	<input checked="" type="checkbox"/>	2	<input type="checkbox"/>
4	<input checked="" type="checkbox"/>	4	<input checked="" type="checkbox"/>
8	<input type="checkbox"/>	8	<input type="checkbox"/>
16	<input checked="" type="checkbox"/>	16	<input type="checkbox"/>
32	<input checked="" type="checkbox"/>	32	<input type="checkbox"/>
64	<input type="checkbox"/>	64	<input type="checkbox"/>
128	<input type="checkbox"/>	128	<input type="checkbox"/>
256	<input type="checkbox"/>	256	<input type="checkbox"/>
512	<input type="checkbox"/>	512	<input type="checkbox"/>

Code: = switch OFF
 = switch ON

$$32 + 16 + 4 + 2 + 1 = 55 \text{ minute ON delay}$$

$$4 + 1 = 5 \text{ minute OFF delay}$$

WARRANTY

This product is warranted to be free from defects in materials and workmanship, and is covered by our exclusive **5-year Unconditional Warranty**. Should this device fail to operate for any reason, we will repair it for five years from the date of manufacture. For complete warranty details, see the Terms and Conditions of Sales page in the front section of the Time Mark catalog or contact Time Mark at 1-800-862-2875.

Telephone: Main - (918) 438-1220
Sales - (800) 862-2875
Fax: (918) 437-7584
E-mail: sales@time-mark.com
Internet: http://www.time-mark.com

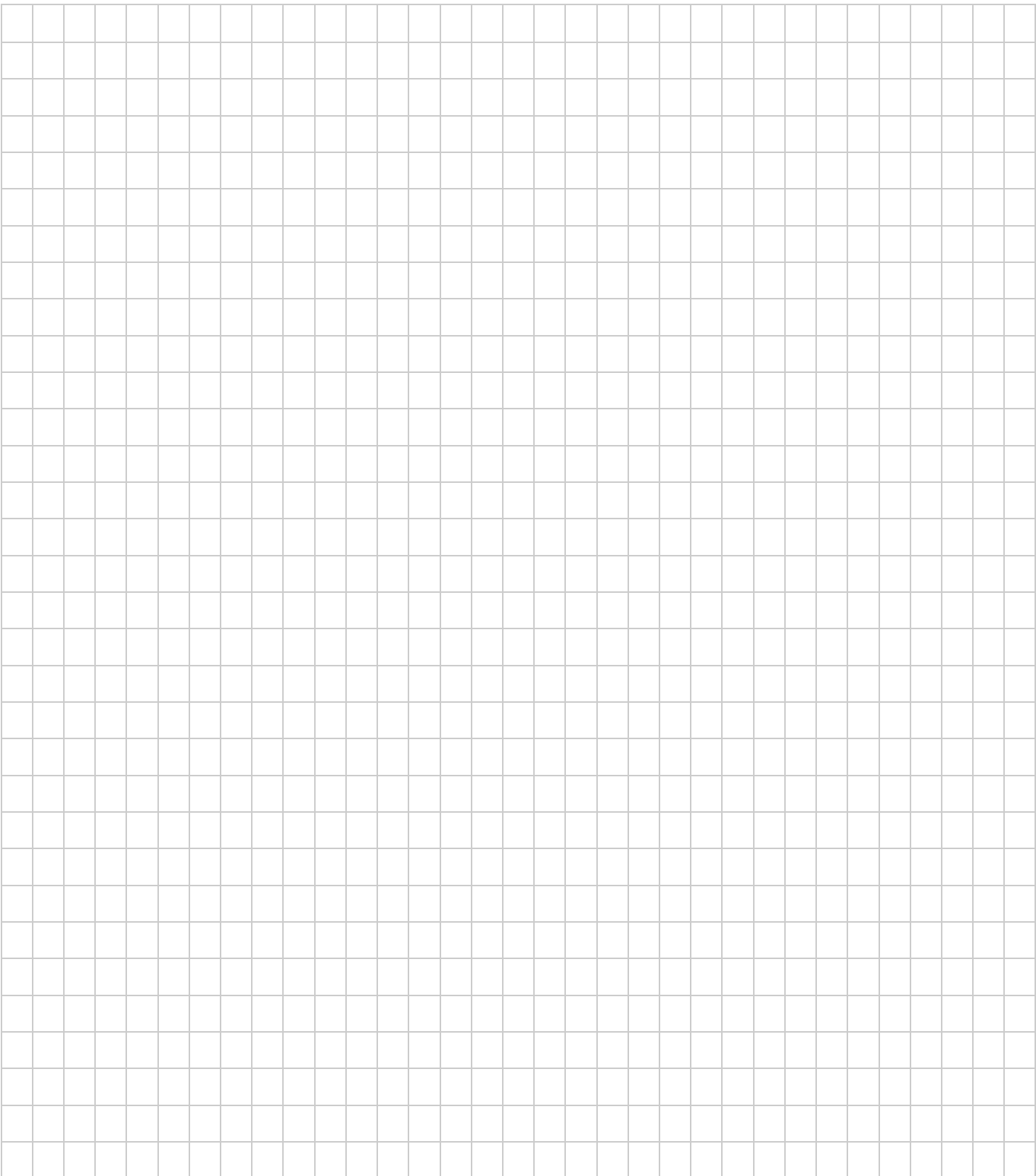


11440 East Pine Street
Tulsa, Oklahoma 74116

Page 3 of 3 02/2020
© 2020 TIME MARK CORPORATION

TIME MARK is a division of AEMT, Inc.

Have Questions? Call us at (800) 862-2875 and talk to a real live person.



Telephone: Main - (918) 438-1220
Sales - (800) 862-2875
Fax: (918) 437-7584
E-mail: sales@time-mark.com
Internet: http://www.time-mark.com



11440 East Pine Street
Tulsa, Oklahoma 74116
© 2020 TIME MARK CORPORATION

TIME MARK is a division of  AEMT, Inc.