

MODEL 4092/I

Isolated Dual Seal Failure Detector

- Electrically Isolated Inputs
- 120VAC Version
- Adjustable Sensitivity
- Automatic Reset

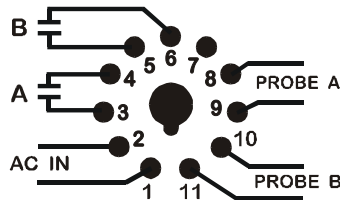


DESCRIPTION

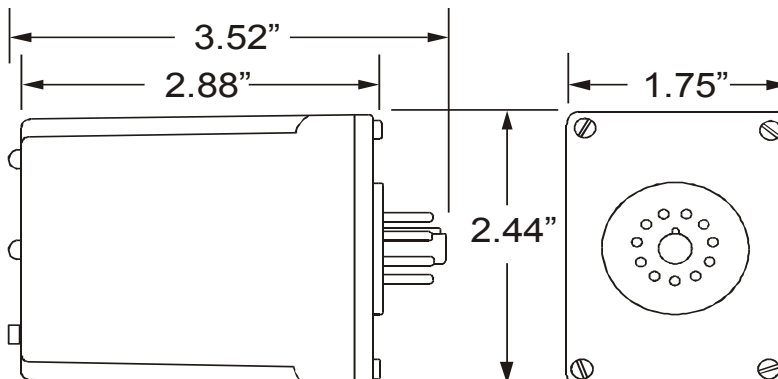
The Model 4092-I Isolated Dual Seal Failure Detector is designed specifically for monitoring the shaft seals of two submersible pumps. All electrical inputs are totally isolated from each other.

The probes are to be installed in the seal cavities of each of the pumps. The sensitivity is field adjustable. When a seal begins to leak, contaminating fluid enters the seal cavity, lowering the resistance between the probe and the common connection. If the resistance drops below the sensitivity setpoint, the corresponding relay and the LED indicator are activated. The Model 4092/I will automatically reset when the fault condition is corrected.

PIN DIAGRAM



DIMENSIONS



(dimensions have tolerance of ± 0.06)

* add 1/8" (0.125") for proper LED clearance

SPECIFICATIONS

ORDER MODEL:	4092/I-120
Supply Voltage	120VAC 50/60Hz
Power Consumption	1.5W
Probe Voltage	9VDC
Sensitivity	10K ohm - 25K ohm
Response Time	15ms
Reset Type	Automatic
Reset Time	15ms
Output Contacts	2 SPST N.O.
Contact Rating	5A at 250VAC resistive
Expected Relay Life	Mech: 50 million operations Elec: 100,000 ops at rated load
Operating Temperature	-13° to +140° F
Humidity Tolerance	0 to 97% w/o condensation
Enclosure	ABS plastic
Mounting	11-pin socket <i>*order separately</i>
Weight	6 oz.

* Order 11-pin socket number 51X016

Telephone: Main - (918) 438-1220
Sales - (800) 862-2875
Fax: (918) 437-7584

E-mail: sales@time-mark.com
Internet: http://www.time-mark.com



TIME MARK
CORPORATION

11440 East Pine Street
Tulsa, Oklahoma 74116

11/2011
© 2011 TIME MARK CORPORATION

TIME MARK is a division of  AEMT, Inc.

MODEL 4092/I

Isolated Dual Seal Failure Detector

READ ALL INSTRUCTIONS BEFORE INSTALLING, OPERATING OR SERVICING THIS DEVICE.
KEEP THIS DATA SHEET FOR FUTURE REFERENCE.

GENERAL SAFETY

POTENTIALLY HAZARDOUS VOLTAGES ARE PRESENT AT THE TERMINALS OF THE MODEL 4092/I DETECTOR.
ALL ELECTRICAL POWER SHOULD BE REMOVED WHEN CONNECTING OR DISCONNECTING WIRING.
THIS DEVICE SHOULD BE INSTALLED AND SERVICED BY QUALIFIED PERSONNEL.

Installation Instructions

INSTALLATION

Connect the supply voltage to Terminals 1 and 2 on the socket.

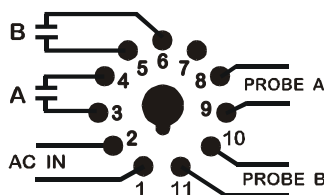
Connect the load control wiring to the appropriate terminals on the socket, refer to the Pin Diagram and Typical Application drawing.

Insert the Model 4092/I into the socket and apply power.

Set the SENSITIVITY control as described below.

NOTE: When installing the Model 4092/I Failure Detector in areas of high humidity or contamination, it is recommended that the base area and all exposed metal parts of the socket be coated liberally with a good quality silicone grease, such as Dow Corning DC-4 or DC-4X. Insert the unit into the socket and wipe off excess grease around the base. This will prevent the entrance of moisture and other contaminants into the base and socket areas.

PIN DIAGRAM

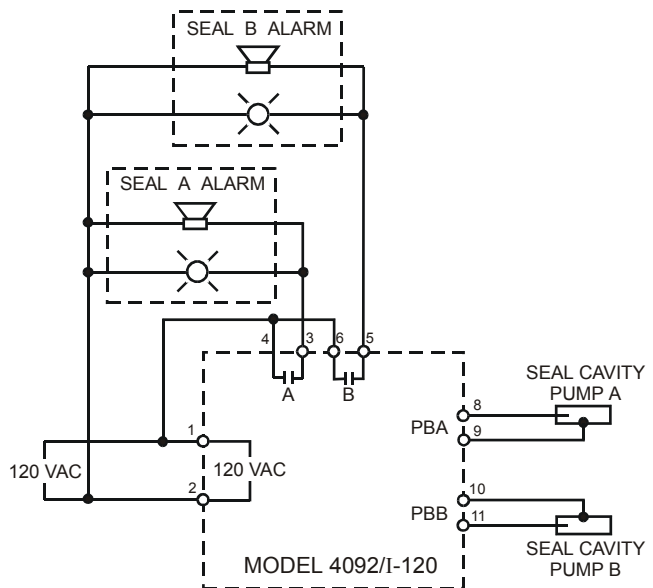


ADJUSTMENT SETTINGS

Set the SENSITIVITY control knob for probe A to the maximum clockwise position. Do not use excessive force. If the PROBE A LED indicator is illuminated, adjust the control knob counter-clockwise, until the light is off.

Repeat this procedure for correct sensitivity on probe B.

TYPICAL APPLICATION



Shows No Power Applied

TROUBLESHOOTING

Should the Model 4092/I Detector fail to operate properly, check wiring to insure proper connections. Measure the supply voltage. Repeat the SENSITIVITY Control adjustment procedure. If problems persist, contact your local Time Mark Distributor or the factory (Monday-Friday, 8 a.m. to 5 p.m. CST) for assistance.

WARRANTY

This product is warranted to be free from defects in materials and workmanship, and is covered by our exclusive **5-year Unconditional Warranty**. Should this device fail to operate for any reason, we will repair it for five years from the date of manufacture. For complete warranty details, see the *Terms and Conditions of Sales* page in the front section of the Time Mark catalog or contact Time Mark at 1-800-862-2875.

Telephone: Main - (918) 438-1220
Sales - (800) 862-2875
Fax: (918) 437-7584

E-mail: sales@time-mark.com
Internet: http://www.time-mark.com



11440 East Pine Street
Tulsa, Oklahoma 74116

11/2011
© 2011 TIME MARK CORPORATION

TIME MARK is a division of  AEMT, Inc.