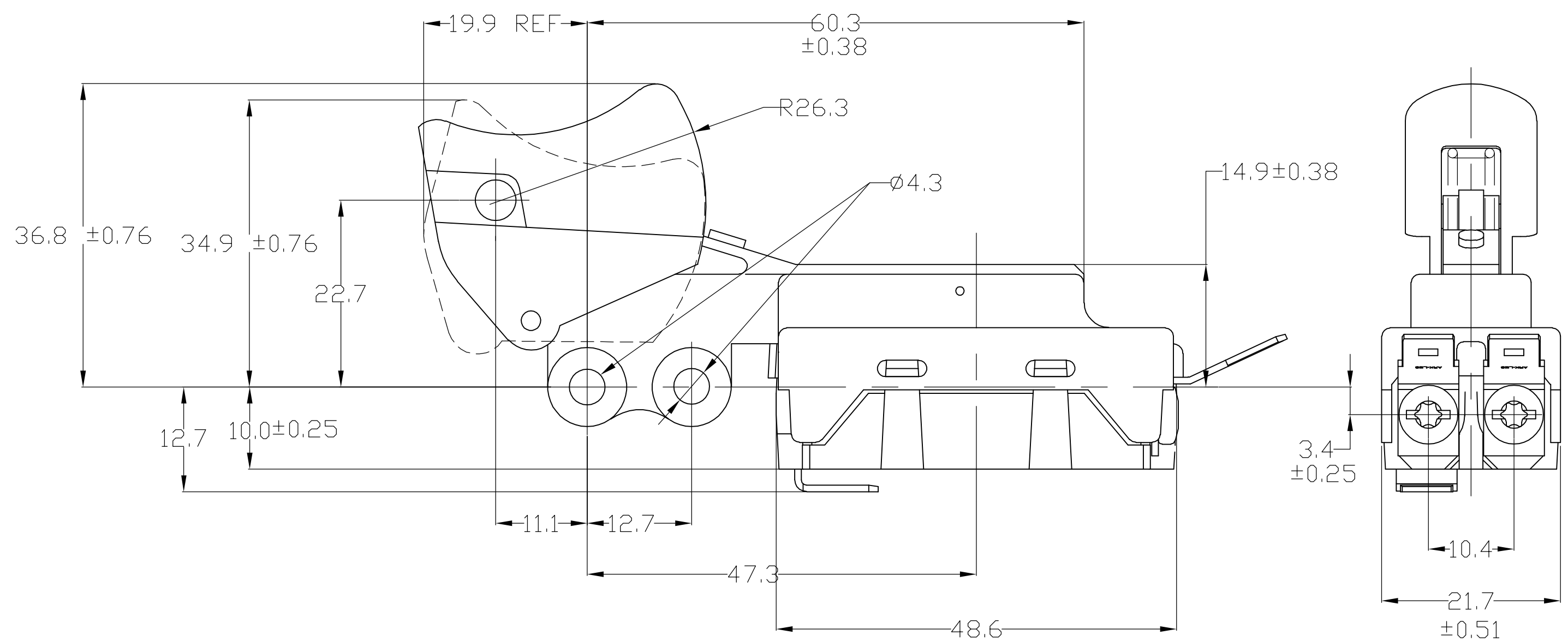
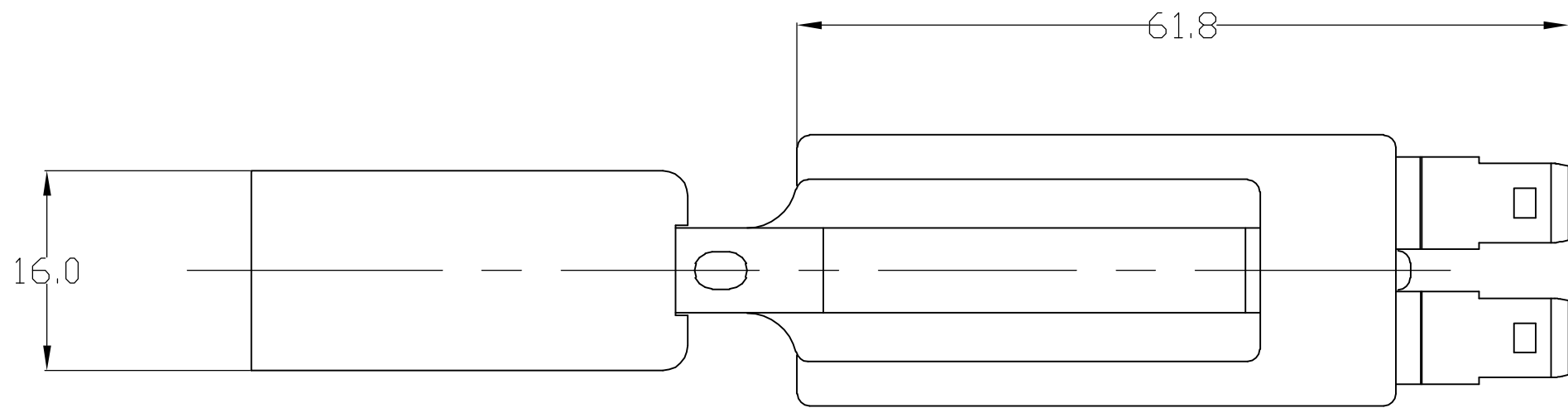


THIS DRAWING IS UNPUBLISHED. RELEASED FOR PUBLICATION
 © COPYRIGHT BY TYCO ELECTRONICS CORPORATION. ALL RIGHTS RESERVED.

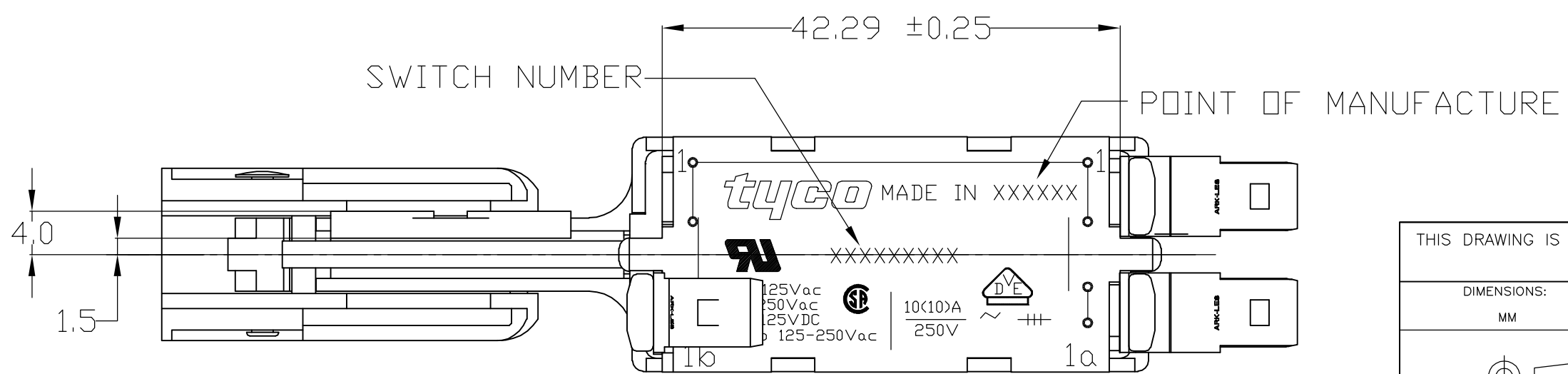
LOC	DIST	REVISIONS					
ES	00	P	LTR	DESCRIPTION	DATE	DWN	APVD
		H		ECR-06-001614	20JAN06	JZ	MS

TYCO NO.	PT SWITCH CODE	TRIGGER COLOR	TRIGGER STYLE	LOCK PIN COLOR	LOCK PIN STYLE	SCREW THREAD / TYPE	SCREWS SUPPLIED
1-1520305-4	PT1E21K-JA	BLACK	WORM DRIVE	N/A	N/A	3.5 X 0.6-6g TORX HEAD	ASSEMBLED
1-6520305-4	PT1E21K-JA	BLACK	WORM DRIVE	N/A	N/A	3.5 X 0.6-6g TORX HEAD	ASSEMBLED



NOTES:

⚠ 1-6520305-4 IS ROHS COMPLIANT VERSION OF 1-1520305-4

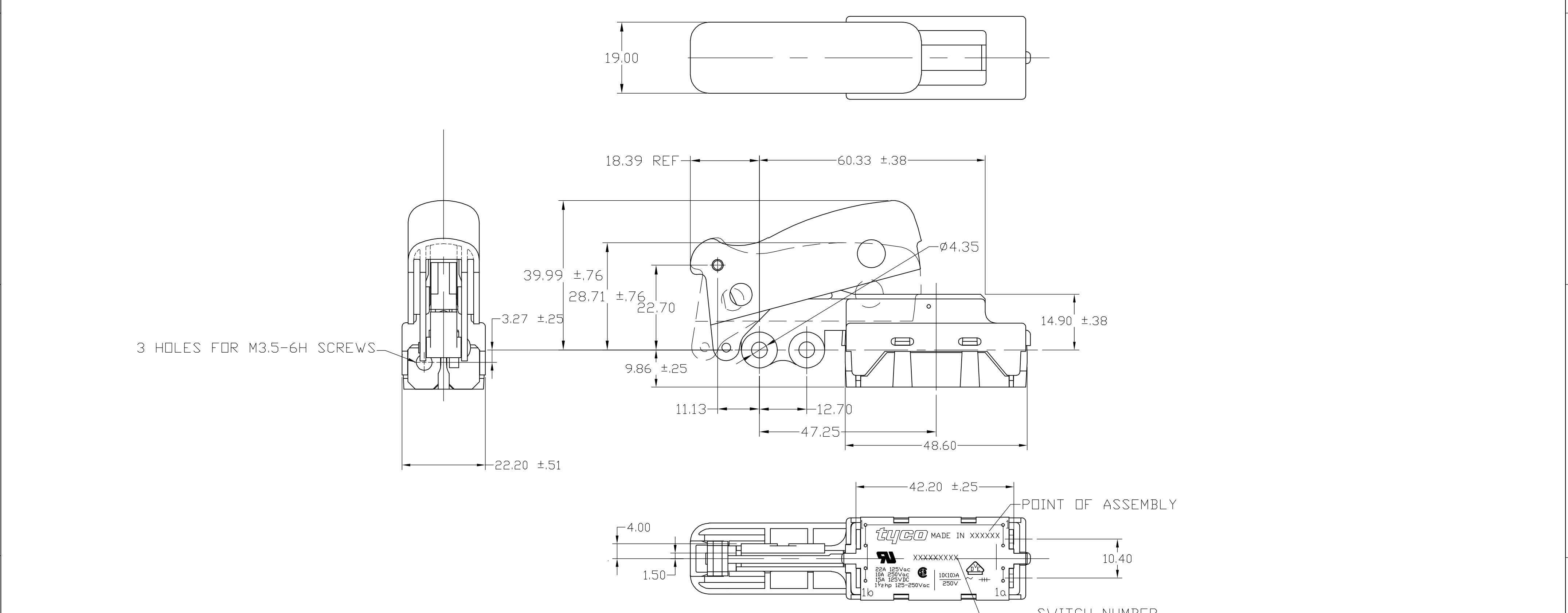


THIS DRAWING IS A CONTROLLED DOCUMENT.		DWN J.ZHANG 20JAN06	Tyco Electronics Corporation Shanghai, China
DIMENSIONS: MM		CHK O.AKIO 20JAN06	
TOLERANCES UNLESS OTHERWISE SPECIFIED:		APVD M.SHINDO 20JAN06	NAME
0 PLC ± -	1 PLC ± -	PRODUCT SPEC	PT1 SERIES INDUSTRIAL ON-OFF SW - 22A 125VAC/10A 250VAC/15A 125VDC/1HP 125-250VAC
2 PLC ± 0.20	3 PLC ± -	APPLICATION SPEC	1 N/O 1 N/C CONTACT WITH INTERNAL LINK
4 PLC ± -	ANGLES ± 1	WEIGHT	SIZE A2
MATERIAL	FINISH	CAGE CODE 00779	DRAWING NO. C=1520305
CUSTOMER DRAWING		SCALE NTS	SHEET 1 OF 7

THIS DRAWING IS UNPUBLISHED. RELEASED FOR PUBLICATION
 © COPYRIGHT BY TYCO ELECTRONICS CORPORATION. ALL RIGHTS RESERVED.

LOC	DIST	REVISIONS					
ES	00	P	LTR	DESCRIPTION	DATE	DWN	APVD
		-	-	SEE SHEET 1	-	-	-

TYCO NO.	PT SWITCH CODE	TRIGGER COLOR	TRIGGER STYLE	LOCK PIN COLOR	LOCK PIN STYLE	SCREW THREAD / TYPE	SCREWS SUPPLIED
1-1520305-5	PT1F24B-CA	YELLOW	CHINA	N/A	N/A	3.5 MM THREAD	NOT SUPPLIED
1-1520305-6	PT1F24B-DA	YELLOW	CHINA	N/A	N/A	6-32 UNC-2A PHILLIP HD	SHIPPED IN BULK
1-1520305-7	PT1F25B-CA	ORANGE	CHINA	N/A	N/A	3.5 MM THREAD	NOT SUPPLIED
1-1520305-8	PT1F25B-DA	ORANGE	CHINA	N/A	N/A	6-32 UNC-2A PHILLIP HD	SHIPPED IN BULK
1-6520305-5	PT1F24B-CA	YELLOW	CHINA	N/A	N/A	3.5 MM THREAD	NOT SUPPLIED
1-6520305-6	PT1F24B-DA	YELLOW	CHINA	N/A <td N/A	6-32 UNC-2A PHILLIP HD	SHIPPED IN BULK	
1-6520305-7	PT1F25B-CA	ORANGE	CHINA	N/A	N/A	3.5 MM THREAD	NOT SUPPLIED
1-6520305-8	PT1F25B-DA	ORANGE	CHINA	N/A	N/A	6-32 UNC-2A PHILLIP HD	SHIPPED IN BULK



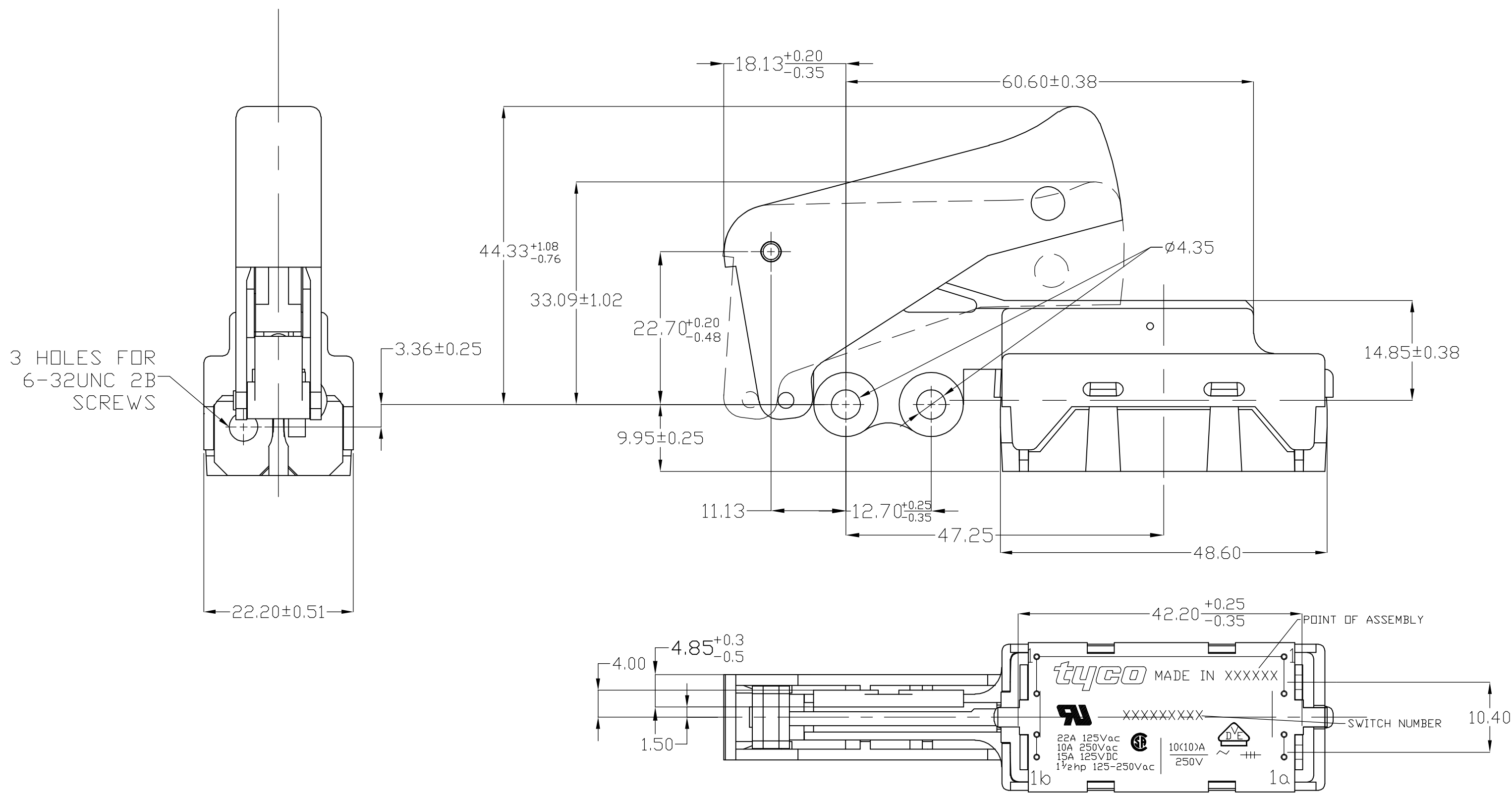
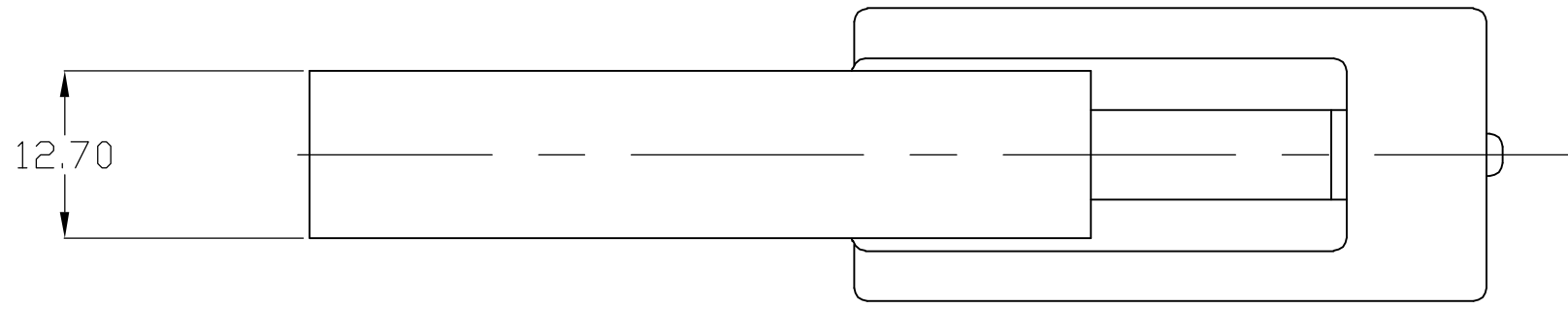
- NOTES:
- ① 1-6520305-5 IS ROHS COMPLIANT VERSION OF 1-1520305-5
 - ② 1-6520305-6 IS ROHS COMPLIANT VERSION OF 1-1520305-6
 - ③ 1-6520305-7 IS ROHS COMPLIANT VERSION OF 1-1520305-7
 - ④ 1-6520305-8 IS ROHS COMPLIANT VERSION OF 1-1520305-8

THIS DRAWING IS A CONTROLLED DOCUMENT.		DWN SEE SHEET 1	Tyco Electronics Corporation Shanghai, China																			
DIMENSIONS: MM		CHK SEE SHEET 1																				
TOLERANCES UNLESS OTHERWISE SPECIFIED:		APVD SEE SHEET 1	NAME PT1 SERIES INDUSTRIAL ON-OFF SW - 22A 125VAC/ 10A 250VAC/15A 125VDC/1HP 125-250VAC 1 N/O 1 N/C CONTACT WITH INTERNAL LINK																			
<table border="1"> <tr><td>0 PLC</td><td>±</td><td>-</td></tr> <tr><td>1 PLC</td><td>±</td><td>-</td></tr> <tr><td>2 PLC</td><td>±</td><td>0.20</td></tr> <tr><td>3 PLC</td><td>±</td><td>-</td></tr> <tr><td>4 PLC</td><td>±</td><td>-</td></tr> <tr><td>ANGLES</td><td>±</td><td>1</td></tr> </table>		0 PLC	±	-	1 PLC	±	-	2 PLC	±	0.20	3 PLC	±	-	4 PLC	±	-	ANGLES	±	1	PRODUCT SPEC	SIZE A2	
0 PLC	±	-																				
1 PLC	±	-																				
2 PLC	±	0.20																				
3 PLC	±	-																				
4 PLC	±	-																				
ANGLES	±	1																				
MATERIAL		APPLICATION SPEC	CAGE CODE 00779	DRAWING NO C=1520305																		
FINISH		WEIGHT	RESTRICTED TO																			
		CUSTOMER DRAWING	SCALE NTS	SHEET 2 OF 7																		
			REV H																			

THIS DRAWING IS UNPUBLISHED. RELEASED FOR PUBLICATION
 © COPYRIGHT BY TYCO ELECTRONICS CORPORATION. ALL RIGHTS RESERVED.

LOC	DIST	REVISIONS					
ES	00	P	LTR	DESCRIPTION	DATE	DWN	APVD
		-	-	SEE SHEET 1	-	-	-

TYCO NO.	PT SWITCH CODE	TRIGGER COLOR	TRIGGER STYLE	LOCK PIN COLOR	LOCK PIN STYLE	SCREW THREAD / TYPE	SCREWS SUPPLIED
1-1520305-9	PT1K22B-HA	RED	CIVATE MITER SAW 2 FINGER	N/A	N/A	6-32 UNC-2B	NOT SUPPLIED
2-1520305-8	PT1K21B-DA	BLACK	CIVATE MITER SAW 2 FINGER	N/A	N/A	6-32 UNC-2A PHILLIPS HD	SUPPLIED IN BULK
2-1520305-9	PT1K23B-DA	DARK BLUE	CIVATE MITER SAW 2 FINGER	N/A	N/A	6-32 UNC-2A PHILLIPS HD	SUPPLIED IN BULK
1-6520305-9	1 PT1K22B-HA	RED	CIVATE MITER SAW 2 FINGER	N/A	N/A	6-32 UNC-2B	NOT SUPPLIED
2-6520305-8	2 PT1K21B-DA	BLACK	CIVATE MITER SAW 2 FINGER	N/A	N/A	6-32 UNC-2A PHILLIPS HD	SUPPLIED IN BULK
2-6520305-9	3 PT1K23B-DA	DARK BLUE	CIVATE MITER SAW 2 FINGER	N/A	N/A	6-32 UNC-2A PHILLIPS HD	SUPPLIED IN BULK



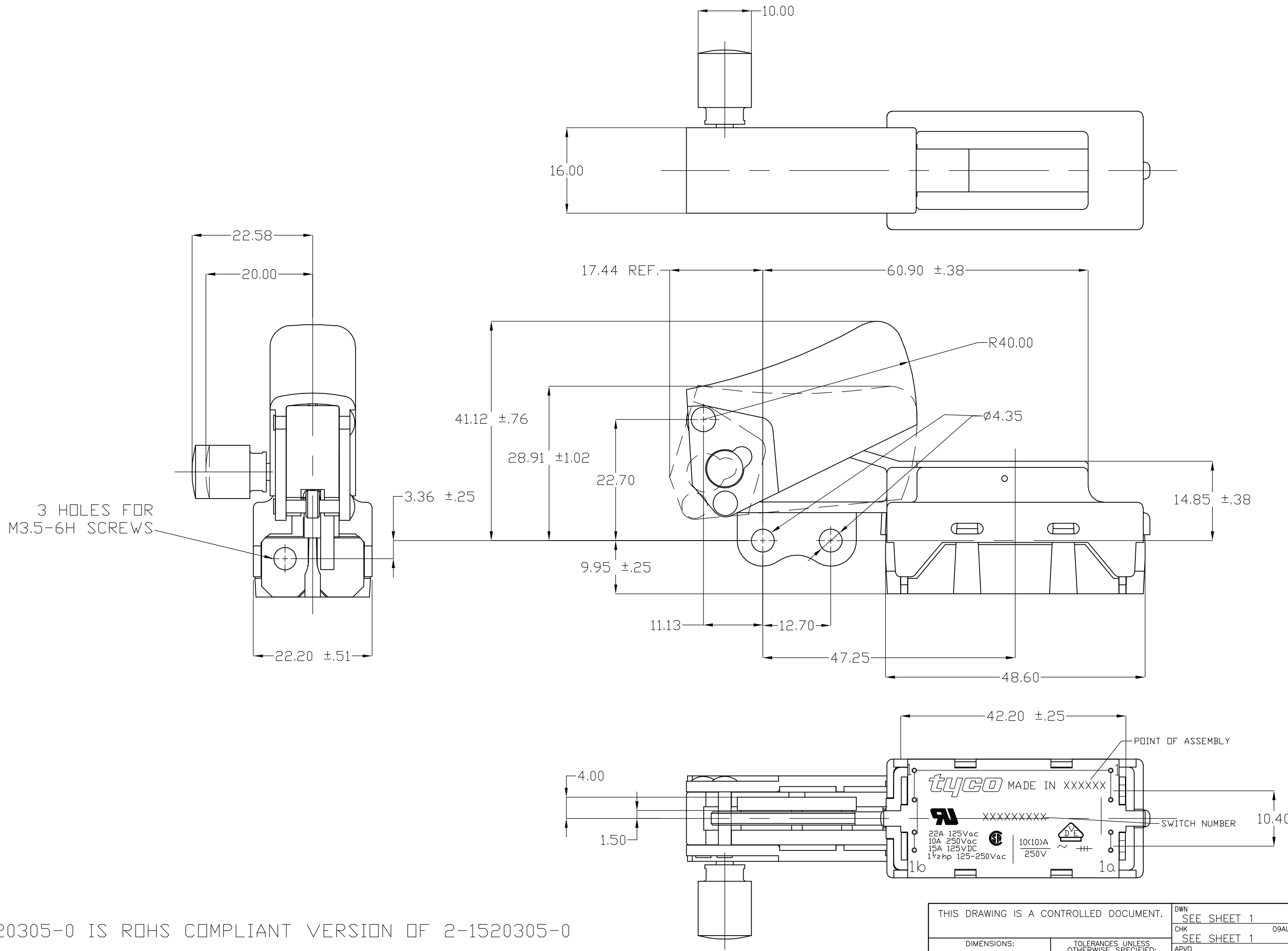
- NOTES:
- 1 1-6520305-9 IS ROHS COMPLIANT VERSION OF 1-1520305-9
 - 2 2-6520305-8 IS ROHS COMPLIANT VERSION OF 2-1520305-8
 - 3 2-6520305-9 IS ROHS COMPLIANT VERSION OF 2-1520305-9

THIS DRAWING IS A CONTROLLED DOCUMENT.		DWN	SEE SHEET 1	Tyco Electronics Corporation Shanghai, China	
DIMENSIONS: MM		CHK	SEE SHEET 1		
TOLERANCES UNLESS OTHERWISE SPECIFIED:		APVD	SEE SHEET 1		
0 PLC ± - 1 PLC ± - 2 PLC ± 0.20 3 PLC ± - 4 PLC ± - ANGLES ± 1 FINISH -		PRODUCT SPEC	-		
MATERIAL		APPLICATION SPEC	-	NAME	PT1 SERIES INDUSTRIAL ON-OFF SW - 22A 125VAC/ 10A 250VAC/15A 125VDC/1HP 125-250VAC 1 N/O 1 N/C CONTACT WITH INTERNAL LINK
		WEIGHT	-	SIZE	A2
		CUSTOMER DRAWING		CAGE CODE	00779
		SCALE	NTS	DRAWING NO	C=1520305
		SHEET	3	RESTRICTED TO	-
		OF	7	REV	H

THIS DRAWING IS UNPUBLISHED. RELEASED FOR PUBLICATION
 © COPYRIGHT BY TYCO ELECTRONICS CORPORATION. ALL RIGHTS RESERVED.

LOC	DIST	REVISIONS					
ES	00	P	LTR	DESCRIPTION	DATE	DWN	APVD
		-	-	SEE SHEET 1	-	-	-

TYCO NO.	PT SWITCH CODE	TRIGGER COLOR	TRIGGER STYLE	LOCK PIN COLOR	LOCK PIN STYLE	SCREW THREAD / TYPE	SCREWS SUPPLIED
2-1520305-0	PT1P3C11J-CA	BLACK	STANDARD LOCK OFF	BLACK	CIVATE MAG PARALLEL LOCK OFF	3.5 MM THREAD	NOT SUPPLIED
2-6520305-0	PT1P3C11J-CA	BLACK	STANDARD LOCK OFF	BLACK	CIVATE MAG PARALLEL LOCK OFF	3.5 MM THREAD	NOT SUPPLIED



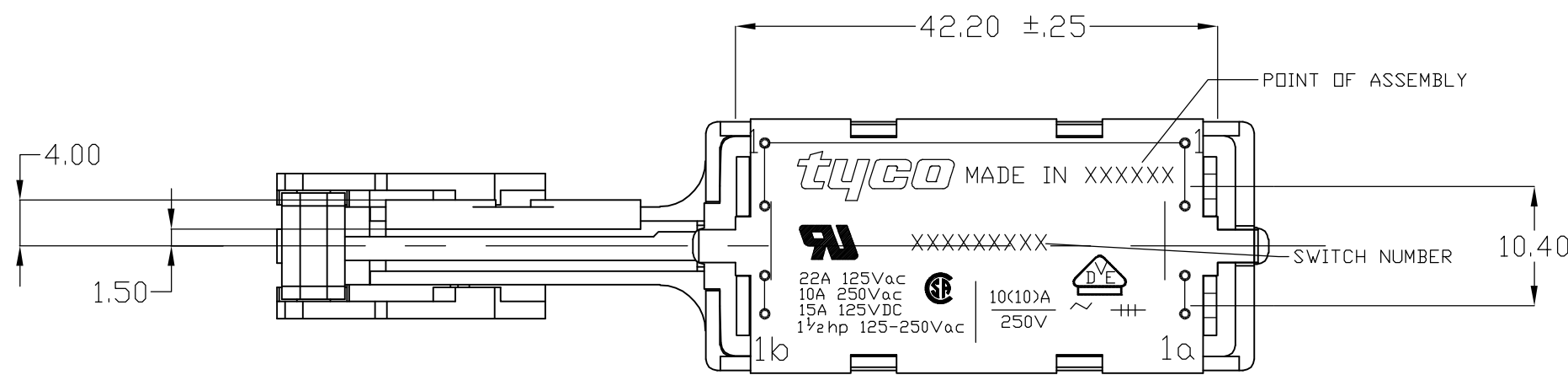
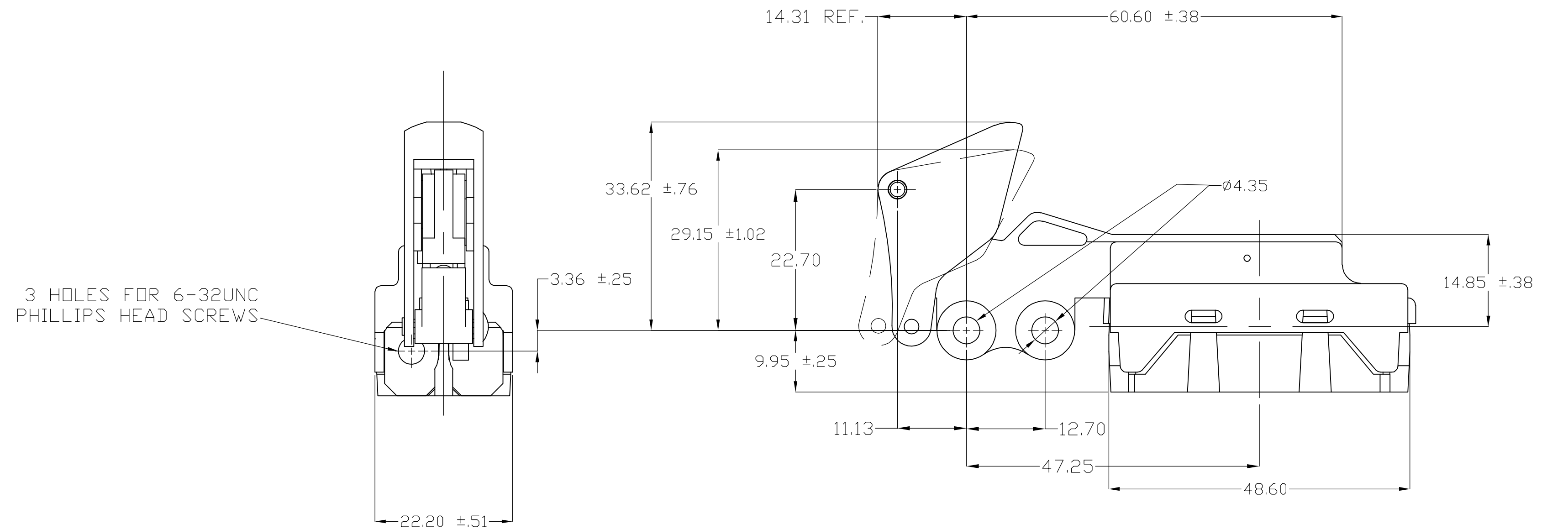
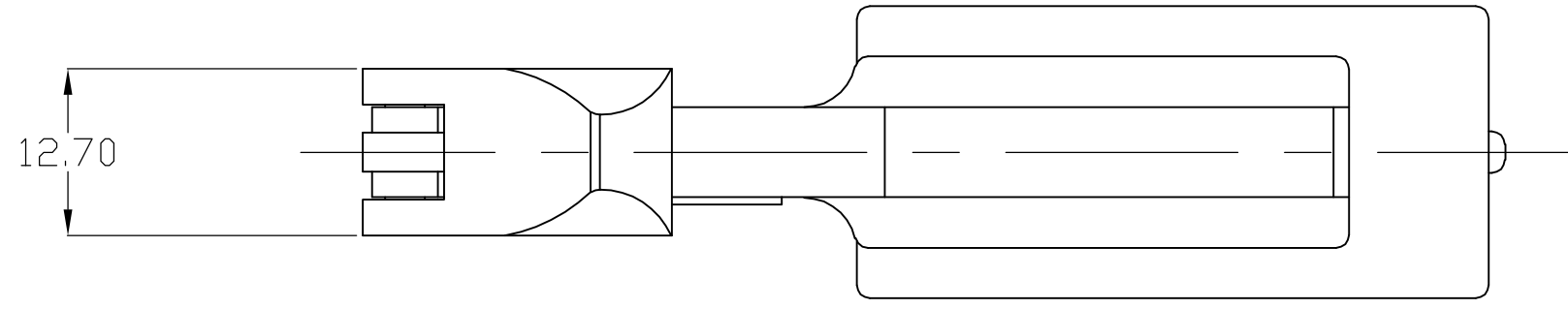
NOTES:
 1 2-6520305-0 IS ROHS COMPLIANT VERSION OF 2-1520305-0

THIS DRAWING IS A CONTROLLED DOCUMENT.		DWN SEE SHEET 1	Tyco Electronics Corporation Shanghai, China	
DIMENSIONS: MM		CHK SEE SHEET 1	NAME PT1 SERIES INDUSTRIAL ON-OFF SW - 22A 125VAC/ 10A 250VAC/15A 125VDC/1HP 125-250VAC 1 N/O 1 N/C CONTACT WITH INTERNAL LINK	
TOLERANCES UNLESS OTHERWISE SPECIFIED: 0 PLC ± - 1 PLC ± - 2 PLC ± 0.20 3 PLC ± - 4 PLC ± - ANGLES ± 1		APVD SEE SHEET 1	SIZE A2	CAGE CODE 00779
MATERIAL -		FINISH -	DRAWING NO C=1520305	RESTRICTED TO -
CUSTOMER DRAWING			SCALE NTS	SHEET 4 OF 7

THIS DRAWING IS UNPUBLISHED. RELEASED FOR PUBLICATION
 © COPYRIGHT BY TYCO ELECTRONICS CORPORATION. ALL RIGHTS RESERVED.

LOC	DIST	REVISIONS			
P	LTR	DESCRIPTION	DATE	DWN	APVD
ES	00	SEE SHEET 1	-	-	-

TYCO NO.	PT SWITCH CODE	TRIGGER COLOR	TRIGGER STYLE	LOCK PIN COLOR	LOCK PIN STYLE	SCREW THREAD / TYPE	SCREWS SUPPLIED
2-1520305-1	PT1Q21B-HA	BLACK	SMALL DELTA	N/A	N/A	6-32 UNC-2B	NOT SUPPLIED
2-6520305-1	PT1Q21B-HA	BLACK	SMALL DELTA	N/A	N/A	6-32 UNC-2B	NOT SUPPLIED



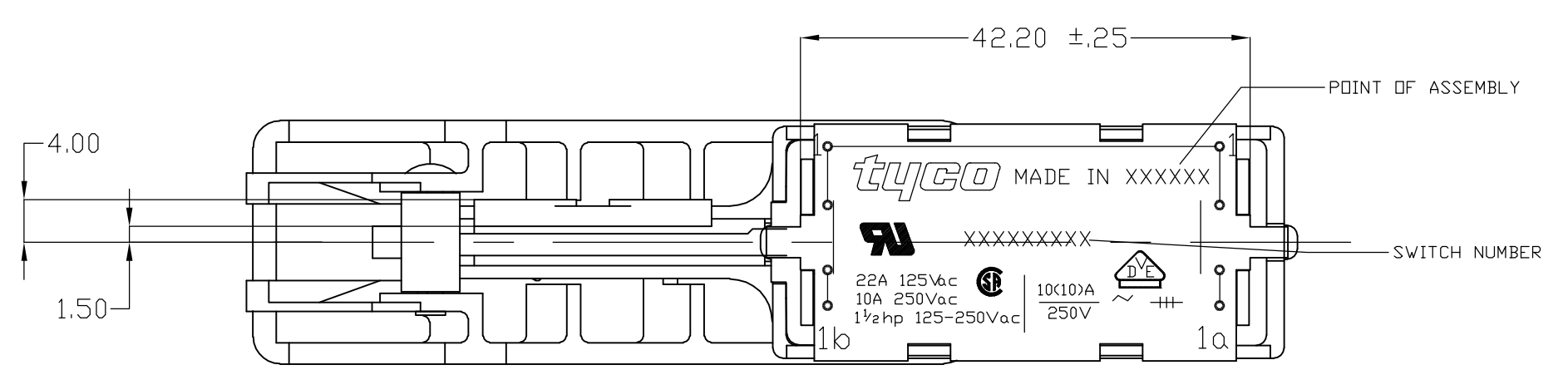
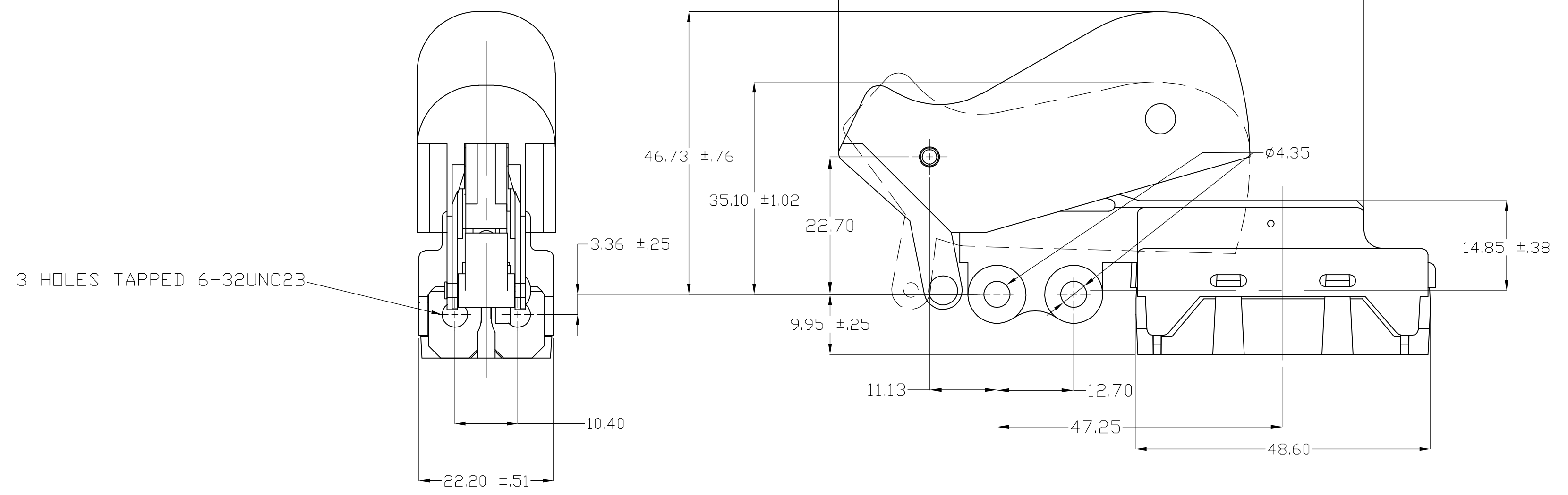
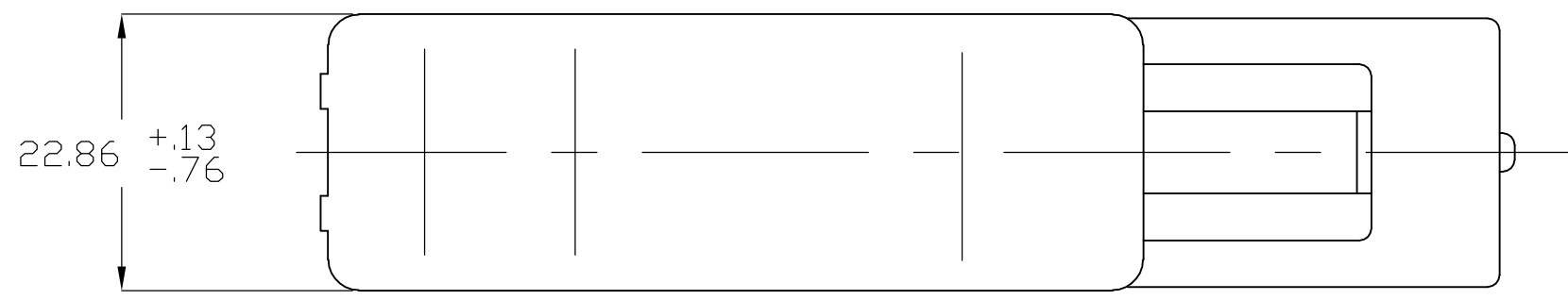
NOTES:
 1 2-6520305-1 IS ROHS COMPLIANT VERSION OF 2-1520305-1

THIS DRAWING IS A CONTROLLED DOCUMENT.		DWN SEE SHEET 1	Tyco Electronics Corporation Shanghai, China	
DIMENSIONS: MM		CHK SEE SHEET 1		
TOLERANCES UNLESS OTHERWISE SPECIFIED:		APVD SEE SHEET 1	NAME PT1 SERIES INDUSTRIAL ON-OFF SW - 22A 125VAC/ 10A 250VAC/15A 125VDC/1HP 125-250VAC 1 N/O 1 N/C CONTACT WITH INTERNAL LINK	
0 PLC ± - 1 PLC ± - 2 PLC ± - 3 PLC ± 0.20 4 PLC ± - ANGLES ± 1° FINISH -		PRODUCT SPEC -	SIZE A2	CAGE CODE 00779
MATERIAL		APPLICATION SPEC -	DRAWING NO C=1520305	RESTRICTED TO -
		WEIGHT -	SCALE NTS	
		CUSTOMER DRAWING		SHEET 5 OF 7 REV H

THIS DRAWING IS UNPUBLISHED. RELEASED FOR PUBLICATION
 © COPYRIGHT BY TYCO ELECTRONICS CORPORATION. ALL RIGHTS RESERVED.

LOC	DIST	REVISIONS			
P	LTR	DESCRIPTION	DATE	DWN	APVD
ES	00	SEE SHEET 1	-	-	-

TYCO NO.	PT SWITCH CODE	TRIGGER COLOR	TRIGGER STYLE	LOCK PIN COLOR	LOCK PIN STYLE	SCREW THREAD / TYPE	SCREWS SUPPLIED
2-1520305-2	PT1R21B-HA	BLACK	COMPOUND SAW	N/A	N/A	6-32 UNC-2B	NOT SUPPLIED
2-6520305-2	PT1R21B-HA	BLACK	COMPOUND SAW	N/A	N/A	6-32 UNC-2B	NOT SUPPLIED



NOTES:

1 2-6520305-2 IS ROHS COMPLIANT VERSION OF 2-1520305-2

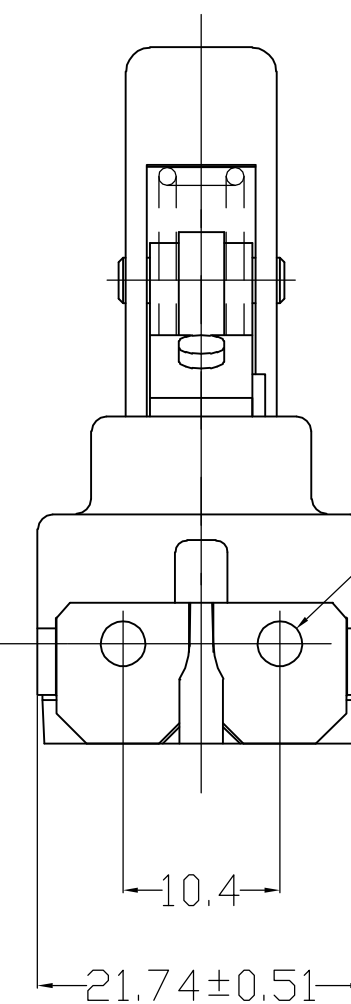
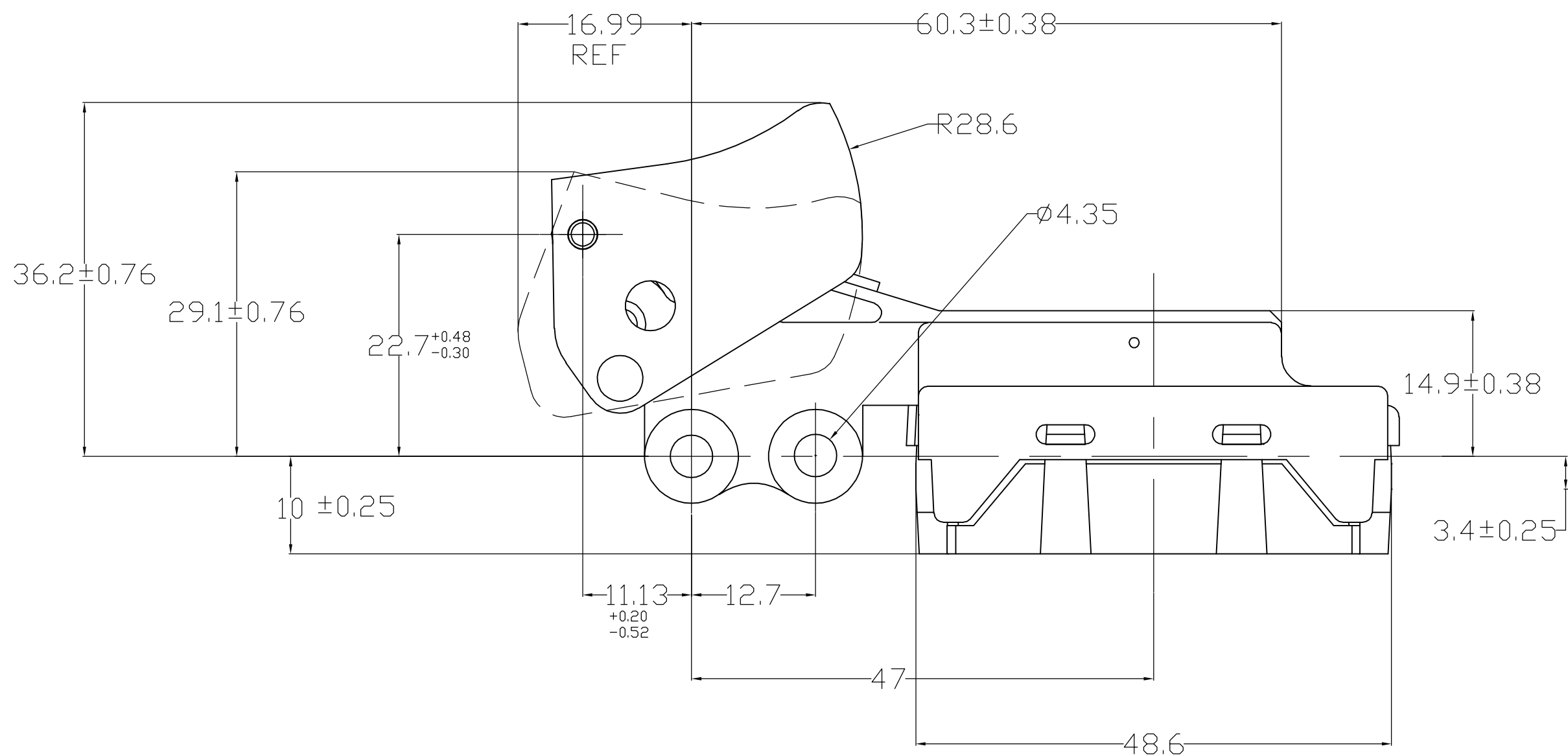
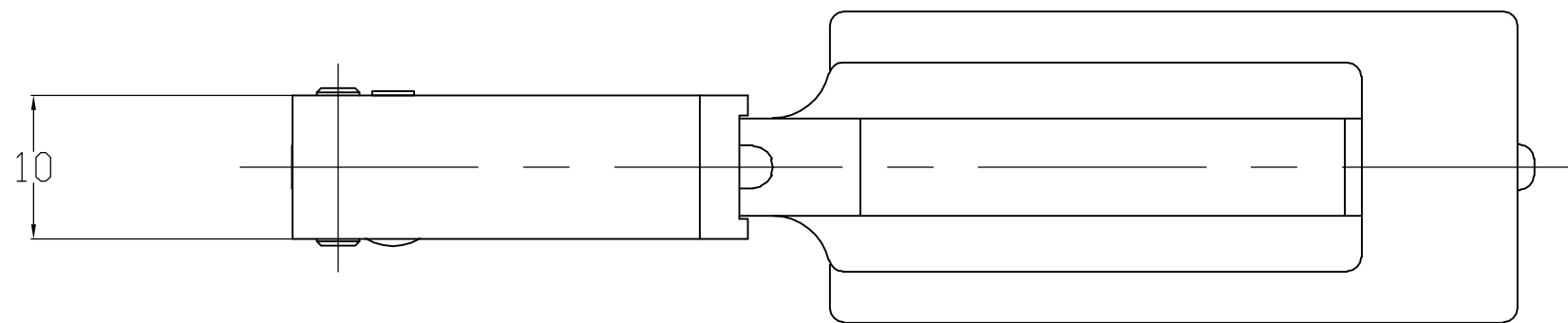
91-16204

THIS DRAWING IS A CONTROLLED DOCUMENT.		DWN SEE SHEET 1	Tyco Electronics Corporation Shanghai, China																						
DIMENSIONS: MM		CHK SEE SHEET 1																							
TOLERANCES UNLESS OTHERWISE SPECIFIED:		APVD SEE SHEET 1	NAME PT1 SERIES INDUSTRIAL ON-OFF SW - 22A 125VAC/ 10A 250VAC/15A 125VDC/1HP 125-250VAC 1 N/O 1 N/C CONTACT WITH INTERNAL LINK																						
<table border="1"> <tr><td>0 PLC</td><td>±</td><td>-</td></tr> <tr><td>1 PLC</td><td>±</td><td>-</td></tr> <tr><td>2 PLC</td><td>±</td><td>0.20</td></tr> <tr><td>3 PLC</td><td>±</td><td>-</td></tr> <tr><td>4 PLC</td><td>±</td><td>-</td></tr> <tr><td>ANGLES</td><td>±</td><td>-</td></tr> <tr><td>FINISH</td><td>-</td><td>-</td></tr> </table>		0 PLC	±	-	1 PLC	±	-	2 PLC	±	0.20	3 PLC	±	-	4 PLC	±	-	ANGLES	±	-	FINISH	-	-	PRODUCT SPEC -	SIZE A2	CAGE CODE 00779
0 PLC	±	-																							
1 PLC	±	-																							
2 PLC	±	0.20																							
3 PLC	±	-																							
4 PLC	±	-																							
ANGLES	±	-																							
FINISH	-	-																							
MATERIAL		APPLICATION SPEC -	DRAWING NO C=1520305	RESTRICTED TO -																					
		WEIGHT -	SCALE NTS																						
		CUSTOMER DRAWING		SHEET 6 OF 7 REV H																					

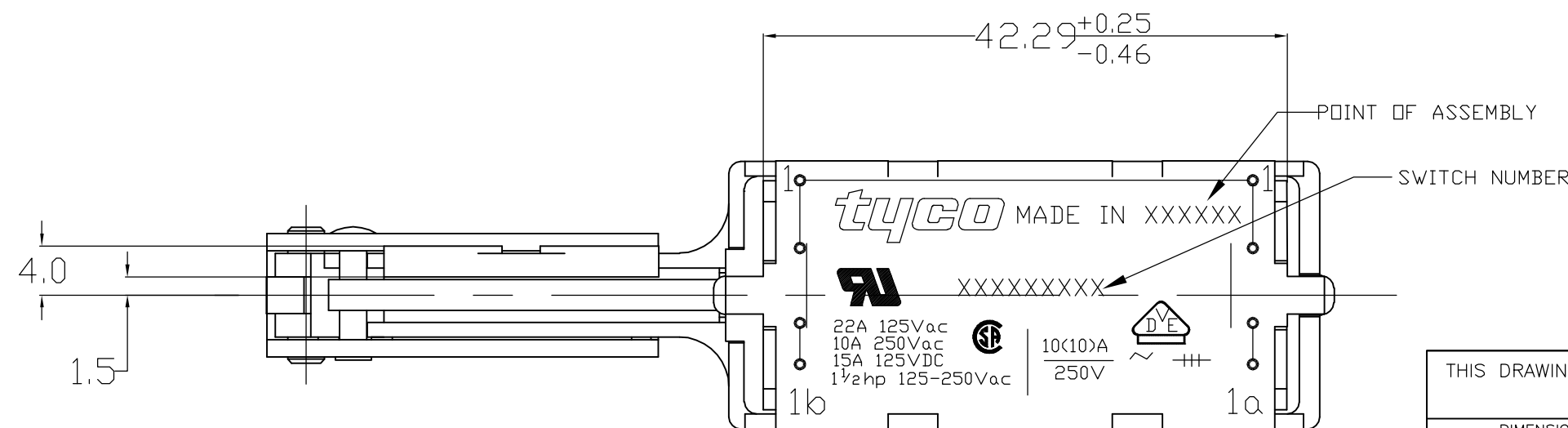
THIS DRAWING IS UNPUBLISHED. RELEASED FOR PUBLICATION
 © COPYRIGHT BY TYCO ELECTRONICS CORPORATION. ALL RIGHTS RESERVED.

LOC	DIST	REVISIONS					
ES	00	P	LTR	DESCRIPTION	DATE	DWN	APVD
		-	-	SEE SHEET 1	-	-	-

TYCO NO.	PT SWITCH CODE	TRIGGER COLOR	TRIGGER STYLE	LOCK PIN COLOR	LOCK PIN STYLE	SCREW THREAD / TYPE	SCREWS SUPPLIED
2-1520305-4	PT1A21B-DA	BLACK	STANDARD	N/A	N/A	6-32 UNC-2A PHILLIPS HD	SHIPPED IN BULK
2-6520305-4	PT1A21B-DA	BLACK	STANDARD	N/A	N/A	6-32 UNC-2A PHILLIPS HD	SHIPPED IN BULK



THREADED HOLES FOR SCREWS. (3 PLACES) SEE TABLE



NOTES:

1 2-6520305-4 IS ROHS COMPLIANT VERSION OF 2-1520305-4

THIS DRAWING IS A CONTROLLED DOCUMENT.		DWN SEE SHEET 1	Tyco Electronics Corporation Shanghai, China	
DIMENSIONS: MM		CHK SEE SHEET 1		
TOLERANCES UNLESS OTHERWISE SPECIFIED:		APVD SEE SHEET 1	NAME PT1 SERIES INDUSTRIAL ON-OFF SW - 22A 125VAC/10A 250VAC/15A 125VDC/1HP 125-250VAC	
0 PLC ± 0.50 1 PLC ± 0.30 2 PLC ± 0.20 3 PLC ± - 4 PLC ± - ANGLES ± 1 FINISH -		PRODUCT SPEC -	1 N/O 1 N/C CONTACT WITH INTERNAL LINK	
MATERIAL		APPLICATION SPEC -	SIZE A2	RESTRICTED TO -
		WEIGHT -	CAGE CODE 00779	DRAWING NO C=1520305
		CUSTOMER DRAWING	SCALE NTS	SHEET 7 OF 7 REV H