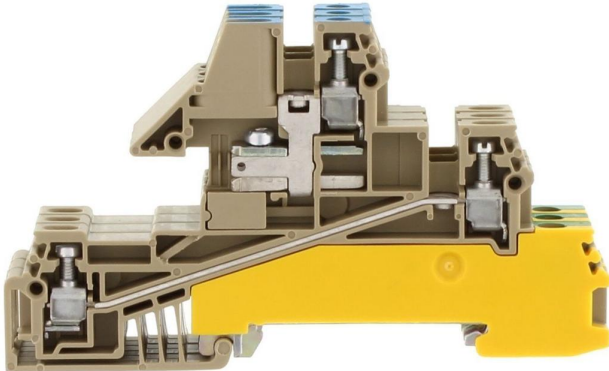


# DLIS 2,5 B-W BG

1446.2



**M2.5** 

Three-wire installation terminal, Screw connection, Mounting type: Mounting rail TS 35/7.5, Rated cross-section: 2.5 mm<sup>2</sup>, Width: 18 mm, Colour: Beige

---

## Commercial

---

### General

---

Colour: Beige

Country of origin: CZ

Customs number: 85369010

GTIN (EAN): 4044211044954

Packaging unit: 16

Product description: Three-wire installation terminals

Quantity unit: PC

Unit of weight: G

Weight per piece (including packaging): 80.43g

Weight per piece (not including packaging): 76g

---

## Technical

---

### Dimensions

---

Height TS 35/7.5: 53mm

Length: 90.5mm

Width: 18mm

### Ratings

---

Contamination degree: 3

Maximum power dissipation for nominal condition: 4.61W

Overvoltage category: III

Rated cross-section: 2.5mm<sup>2</sup>

Rated current: 24A

Rated impulse voltage: 4kV

Rated voltage: 400V

### Connection data

---

Connection position: Lateral

Connection principle: Screw connection

Connections: 12

N partition slides available: ✓

N-function possible: ✓

Number of potentials: 9

PE function is possible: ✓

Screw head: Slotted

Screw threading: M 2,5

Special connection: Busbar 10 x 3mm

Stripping length: 8mm

Tightening torque, max.: 0.8Nm

Tightening torque, min.: 0.4Nm

Wire cross-section AWG, max.: 14

Wire cross-section AWG, min.: 22

Wire cross-section single core (rigid)/stranded, max.: 4mm<sup>2</sup>

Wire cross-section single-core (rigid) / stranded, min.: 0.2mm<sup>2</sup>

Wire cross-section stranded with wire-end ferrules, max.: 2.5mm<sup>2</sup>

Wire cross-section stranded with wire-end ferrules, min.: 0.2mm<sup>2</sup>

Wire cross-section stranded, max.: 4mm<sup>2</sup>

Wire cross-section stranded, min.: 0.2mm<sup>2</sup>

---

## Further technical data

---

End plate required: ✓

Gauge plug acc. to EN 60 947-1: A3

Mounting type: Mounting rail TS 35/7,5

---

## Materials

---

Flammability class UL 94: V-2

Insulation housing: Polyamide 6.6

Working temperature, max.: 105°C

Working temperature, min.: -40°C

---

## Approvals

---

## Environment

---

### Environmental Product Compliance

---

EU-POP Conform: Yes

PROP 65 Conform: Yes

REACH Candidate Substance Note: No

REACH Conform: Yes

REACH Reference date: 2025-06-25

RoHS Conform: Yes

TSCA Conform: Yes

---

## Accessories

---

### Screwdriver

---



**SDB 0,5x3,0**  
1085.0

---

### End plate

---



**AP 2,5/S BG**  
2829.2

---

## End stop

---



**ES 35/K/ST BG**

2828.0

---

## Fixing plate

---



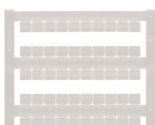
**HP DLIS BU**

2890.5

---

## Quick marking

---



**PMC SB 6/50 WH**

4702.7

---

## Insulation plate

---



**TRS 3 BG**

2566.2

---

## Cross-connector

---



**Q 3**

2833.0

---



**Q 4**

2834.0

---



**Q 10**

2835.0

---



**Q 20**

2836.0

---



**Q 0,5 m/82 Pole**  
2154.0



**Q 2**  
2832.0

## Neutral busbar

---



**Ssch 10x3 CU**  
2129.0

---