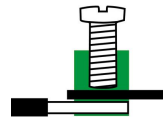
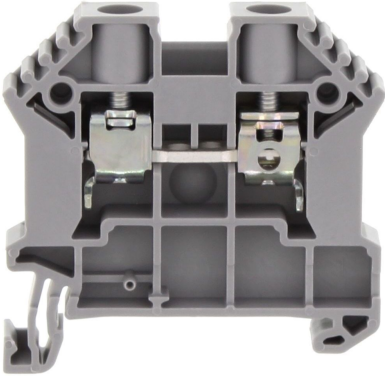


# SRK 6/2A GR

17108.6



Feed-through terminal, Screw connection, Mounting type: Mounting rail TS 35/7.5, Rated cross-section: 10 mm<sup>2</sup>, Width: 8 mm, Colour: Grey

## Commercial

### General

Colour: Grey

Country of origin: CZ

Customs number: 85369010

GTIN (EAN): 4044211170295

Packaging unit: 100

Product description: Feed-through terminal

Quantity unit: PC

Unit of weight: G

Weight per piece (including packaging): 12.4g

Weight per piece (not including packaging): 11.7g

---

## Technical

---

### Dimensions

---

Height TS 35/7.5: 47mm

Length: 48mm

Width: 8mm

---

### Ratings

---

Contamination degree: 3

Current load, max.: 57A

Maximum power dissipation for nominal condition: 1.31W

Overvoltage category: III

Rated cross-section: 10mm<sup>2</sup>

Rated current: 41A

Rated impulse voltage: 8kV

Rated voltage: 1000V

---

### Connection data

---

Connection position: Lateral

Connection principle: Screw connection

Connections: 2

Number of levels: 1

Number of terminals per level: 2

Screw head: Slotted

Screw threading: M 3,5

Stripping length: 10mm

Tightening torque, max.: 1.6Nm

Tightening torque, min.: 0.8Nm

Wire cross-section AWG, max.: 8

Wire cross-section AWG, min.: 22

Wire cross-section single core (rigid)/stranded, max.: 10mm<sup>2</sup>

Wire cross-section single-core (rigid) / stranded, AWG max.: 8

Wire cross-section single-core (rigid) / stranded, AWG min.: 22

Wire cross-section single-core (rigid) / stranded, min.: 0.2mm<sup>2</sup>

Wire cross-section stranded with wire-end ferrules, AWG max.: 10

---

Wire cross-section stranded with wire-end ferrules, AWG min.: 22

Wire cross-section stranded with wire-end ferrules, max.: 6mm<sup>2</sup>

Wire cross-section stranded with wire-end ferrules, min.: 0.2mm<sup>2</sup>

Wire cross-section stranded, AWG max.: 8

Wire cross-section stranded, AWG min.: 22

Wire cross-section stranded, max.: 10mm<sup>2</sup>

Wire cross-section stranded, min.: 0.2mm<sup>2</sup>

### Further technical data

End plate required: ✓

Gauge plug acc. to EN 60 947-1: A5

Mounting type: Mounting rail TS 35/7,5

Number of cross-connection channels: 2

Number of test pick-off options: 1

### Materials

Flammability class UL 94: V-0

Insulation housing: Polyamide 6.6

Working temperature, max.: 120°C

Working temperature, min.: -40°C

## Approvals

---

### Standards and regulations

EAC approval: TR ZU 004/2011

EAC approval granted: ✓

### cUL Recognized

: E95701

cUL Recognized: 1

cUL Usegroup B: rated current: 50A

cUL Usegroup B: rated voltage: 600V

cUL Usegroup C: rated current: 50A

cUL Usegroup C: rated voltage: 600V

cUL approval: C22.2 No 158

cUL torque, max.: 1.6Nm

cUL torque, min.: 0.8Nm

cUL wire cross-section single-core (rigid) AWG, max.: 8

---

cUL wire cross-section single-core (rigid) AWG, min.: 22

cUL wire cross-section stranded AWG, max.: 8

cUL wire cross-section stranded AWG, min.: 22

cUL wire material: Cu

### **KEMA KEUR approval**

KEMA KEUR approval: EN 60947-7-1:2009

KEMA KEUR approval granted: ✓

KEMA rated current: 57A

KEMA rated impulse voltage: 8kV

KEMA rated voltage: 1000V

KEMA torque, max.: 1.6Nm

KEMA torque, min.: 0.8Nm

KEMA wire cross-section single core (rigid), min.: 0.5mm<sup>2</sup>

KEMA wire cross-section single-core (rigid), max.: 10mm<sup>2</sup>

KEMA wire cross-section stranded, max.: 10mm<sup>2</sup>

KEMA wire cross-section stranded, min.: 0.5mm<sup>2</sup>

### **UL Recognized**

UL File Number: E95701

UL Recognized: 1

UL Usegroup B: rated current: 50A

UL Usegroup B: rated voltage: 600V

UL Usegroup C: rated current: 50A

UL Usegroup C: rated voltage: 600V

UL approval: UL 1059

UL factory wiring: ✓

UL field wiring: ✓

UL torque, max.: 14.2Lb In.

UL torque, min.: 7.1Lb In.

UL wire cross-section single-core (rigid) AWG, max.: 8

UL wire cross-section single-core (rigid) AWG, min.: 22

UL wire cross-section stranded AWG, max.: 8

UL wire cross-section stranded AWG, min.: 22

UL wire material: Cu

### **CSA approval**

CSA Usegroup C: rated current: 50A

CSA Usegroup C: rated voltage: 600V

---

CSA approval: C22.2 No 158

CSA approval granted: ✓

CSA torque, max.: 1.6Nm

CSA torque, min.: 0.8Nm

CSA wire cross-section AWG, max.: 8

CSA wire cross-section AWG, min.: 22

### **CSAus approval**

CSAus Usegroup C: rated current: 50A

CSAus Usegroup C: rated voltage: 600V

CSAus approval: UL 1059

CSAus approval granted: ✓

CSAus torque, max.: 1.6Nm

CSAus torque, min.: 0.8Nm

CSAus wire cross-section AWG, max.: 8

CSAus wire cross-section AWG, min.: 22

## **Environment**

---

### **Environmental Product Compliance**

---

EU-POP Conform: Yes

PROP 65 Conform: Yes

REACH Candidate Substance Note: No

REACH Conform: Yes

REACH Reference date: 2025-06-25

RoHS Conform: Yes

TSCA Conform: Yes

---

## Accessories

---

### Screwdriver



**SDB 0,8x4,0**  
[1087.0](#)

### Cover



**SAD 1/8/B YE**  
[17297.8](#)

### Measurement pick-off terminal



**SMAG 6/4 BG**  
[17121.2](#)



**SMAG 6/4 BG**  
[17121.2](#)

### End plate



**AP 2,5-10 RB**  
[2001.0](#)

### End stop

**SES 35 GN**  
[17250.1](#)

### Insulation cap for cross-connector

**SQIK 2,5-10 BK**  
[17200.4](#)

---

## Insulated cross-connector

---

**SQI 6/7 BK**

[17226.4](#)

---

**SQI 6/8 BK**

[17227.4](#)

---

**SQI 6/4 BK**

[17223.4](#)

---

**SQI 6/9 BK**

[17228.4](#)

---

**SQI 6/10 BK**

[17229.4](#)

---



**SQI 6/2 BK**

[17221.4](#)

---

**SQI 6/3 BK**

[17222.4](#)

---

**SQI 6/6 BK**

[17225.4](#)

---

**SQI 6/30 BK**

[17230.4](#)

---

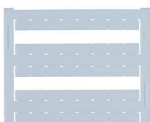
**SQI 6/5 BK**

[17224.4](#)

---

## Quick marking

---



**PMC SB 8/40 WH**

[9323.7](#)

---

## Partition plate

---



**TW 2,5-10 RB**

[2002.0](#)

---

## Test adapters

---



**STA 5/1 BG**  
[17260.2](#)



**STA ZP3 BG**  
[17262.2](#)



**STA 5/1 BG**  
[17260.2](#)



**STA ZP3 BG**  
[17262.2](#)

---