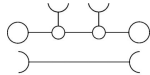
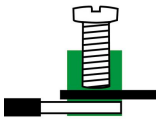
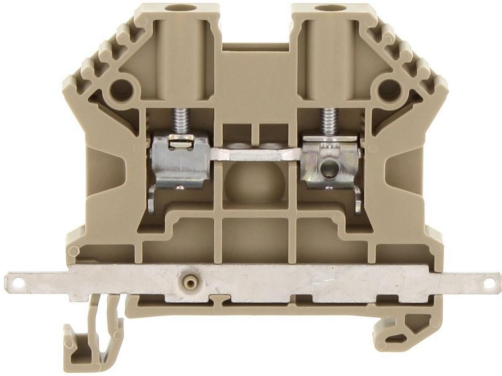


SRK 2,5/2A SAS BG

17119.2



M2.5



Feed-through terminal, Screw connection, Mounting type: Mounting rail TS 35/7.5, Rated cross-section: 2.5 mm², Width: 5 mm, Colour: Beige

Commercial

General

Colour: Beige

Country of origin: DE

Customs number: 85369010

GTIN (EAN): 4044211149048

Packaging unit: 80

Product description: Feed-through terminal

Quantity unit: PC

Unit of weight: G

Weight per piece (including packaging): 9.06g

Weight per piece (not including packaging): 8.3g

Technical

Dimensions

Height TS 35/7.5: 47mm

Length: 62.5mm

Width: 5mm

Ratings

Contamination degree: 3

Current load, max.: 32A

Maximum power dissipation for nominal condition: 0.77W

Overvoltage category: III

Rated cross-section: 2.5mm²

Rated current: 24A

Rated impulse voltage: 8kV

Rated voltage: 400V

Connection data

Connection position: Lateral

Connection principle: Screw connection

Connections: 4

Number of levels: 1

Number of terminals per level: 2

Screw head: Slotted

Screw threading: M 2,5

Special connection: Spade flat plug Faston 2.8mm

Stripping length: 10mm

Tightening torque, max.: 0.8Nm

Tightening torque, min.: 0.4Nm

Wire cross-section AWG, max.: 12

Wire cross-section AWG, min.: 30

Wire cross-section single core (rigid)/stranded, max.: 4mm²

Wire cross-section single-core (rigid) / stranded, AWG max.: 12

Wire cross-section single-core (rigid) / stranded, AWG min.: 30

Wire cross-section single-core (rigid) / stranded, min.: 0.2mm²

Wire cross-section stranded with wire-end ferrules, AWG max.: 14

Wire cross-section stranded with wire-end ferrules, AWG min.: 30

Wire cross-section stranded with wire-end ferrules, max.: 2.5mm²

Wire cross-section stranded with wire-end ferrules, min.: 0.2mm²

Wire cross-section stranded, AWG max.: 12

Wire cross-section stranded, AWG min.: 30

Wire cross-section stranded, max.: 4mm²

Wire cross-section stranded, min.: 0.2mm²

Further technical data

End plate required: ✓

Gauge plug acc. to EN 60 947-1: A3

Mounting type: Mounting rail TS 35/7,5

Number of cross-connection channels: 2

Number of test pick-off options: 1

Materials

Flammability class UL 94: V-0

Insulation housing: Polyamide 6.6

Working temperature, max.: 120°C

Working temperature, min.: -40°C

Approvals

Standards and regulations

EAC approval: TR ZU 004/2011

EAC approval granted: ✓

Environment

Environmental Product Compliance

EU-POP Conform: Yes

PROP 65 Conform: Yes

REACH Candidate Substance Note: No

REACH Conform: Yes

REACH Reference date: 2025-06-25

RoHS Conform: Yes

TSCA Conform: Yes

Accessories

Screwdriver



SDB 0,5x3,0
1085.0

Cover



SAD 1/5/B YE
17295.8

End plate



AP 2,5-10 RB
2001.0

End stop

SES 35 GN
17250.1

Insulation cap for cross-connector

SQIK 2,5-10 BK
17200.4

Insulated cross-connector



SQI 2,5/4 BK
17203.4

SQI 2,5/6 BK
17205.4

SQI 2,5/9 BK
17208.4



SQI 2,5/30 BK
[17210.4](#)



SQI 2,5/3 BK
[17202.4](#)

SQI 2,5/5 BK
[17204.4](#)



SQI 2,5/2 BK
[17201.4](#)

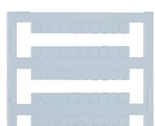
SQI 2,5/7 BK
[17206.4](#)

SQI 2,5/8 BK
[17207.4](#)



SQI 2,5/10 BK
[17209.4](#)

Quick marking



PMC SB 5/50 WH
[4600.7](#)

Partition plate



TW 2,5-10 RB
[2002.0](#)

Test adapters



STA 5/1 BG
[17260.2](#)



STA 5/1 BG

17260.2
