

6

5

4

3

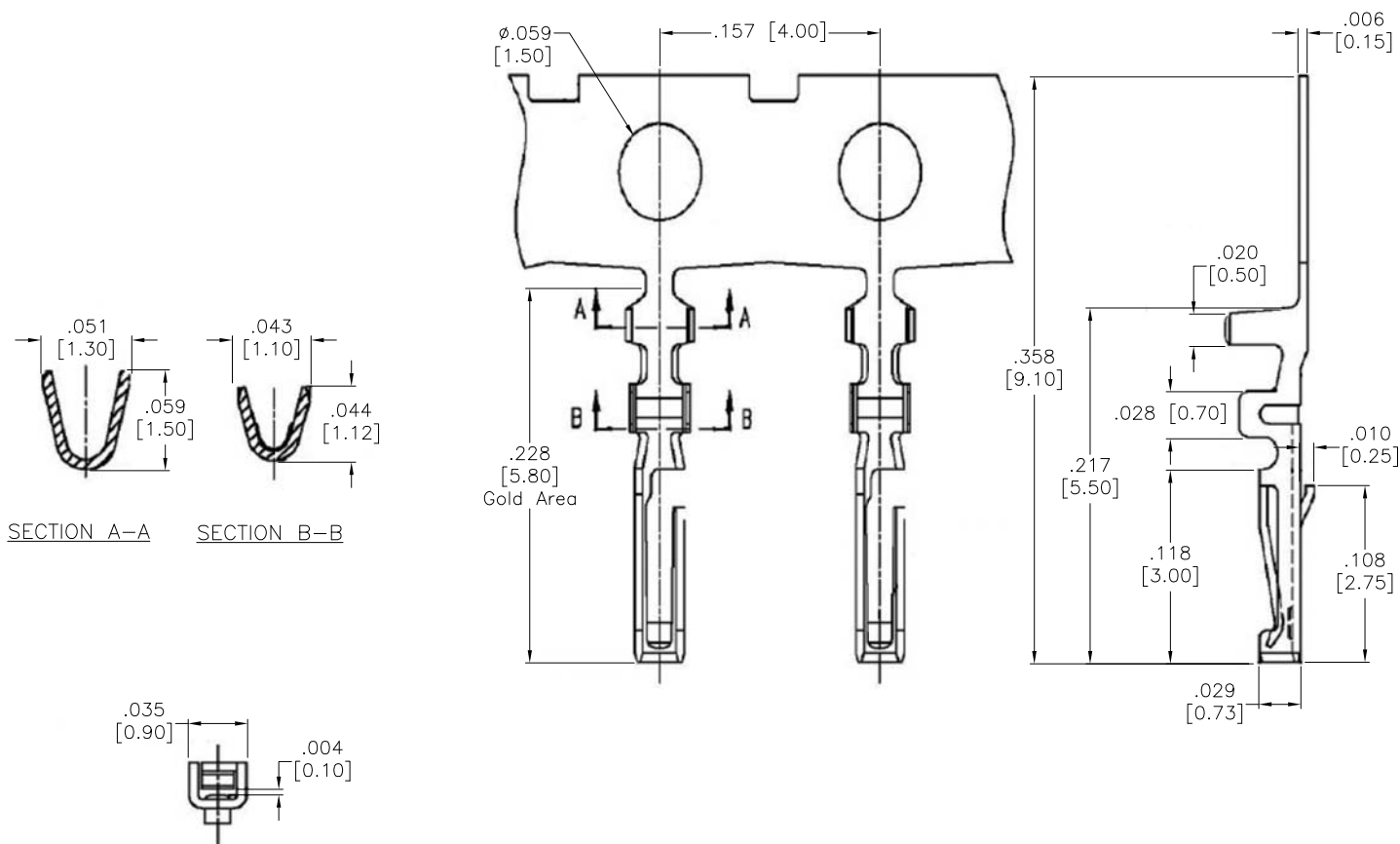
2

1

APPROVED: \_\_\_\_\_

DATE: \_\_\_\_\_ TITLE: \_\_\_\_\_

Rev	AWO #	Description	Date	Appr
-		RELEASED	2/2/18	
A		UPDATE DRAWING	9/23/19	LH/RC



**SPECIFICATIONS:**

Material: Phospher Bronze, T=0.15mm

Plating: Gold Plated

Mechanical:

Wire Range: 28-32 AWG.

Environmental:

Lead free, RoHS compliant.



UNLESS OTHERWISE SPECIFIED ALL DIMENSIONS ARE INCHES [MM] TOLERANCES: EXCEPT AS NOTED INCHES HOLES .X ± .10 Ø.X ± .10 .XX ± .020 Ø.XX ± .015 .XXX ± .015 Ø.XXX ± .010		<b>ADAM TECH</b> INTERCONNECTS 909 Rahway Avenue, Union, NJ 07083 Phone: 908-687-5000 Fax: 908-687-5710	
APPROVALS DRAWN AY CHECKED RC APPROVED		DATE 2/2/18 2/2/18	
TITLE 1.25mm TERMINAL FOR 125CH-G CRIMP HOUSING		SIZE X	PART NO. 125CTG-B-G-R
REF: S00123T		SCALE: NTS	SHEET 1 OF 1

6

5

4

3

2

1