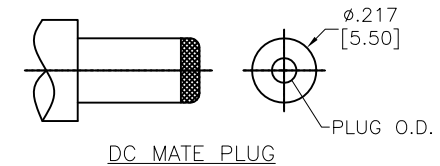
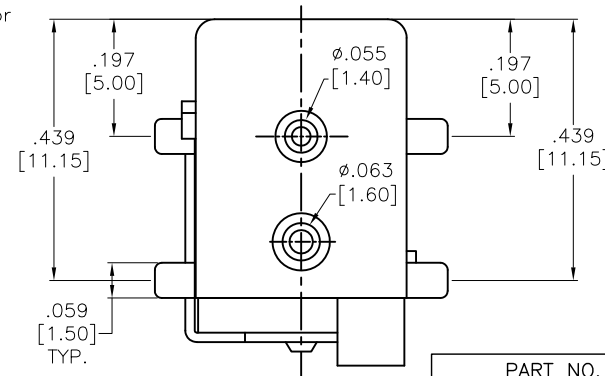
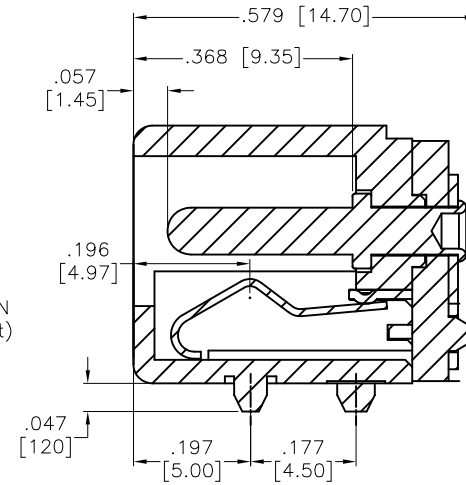
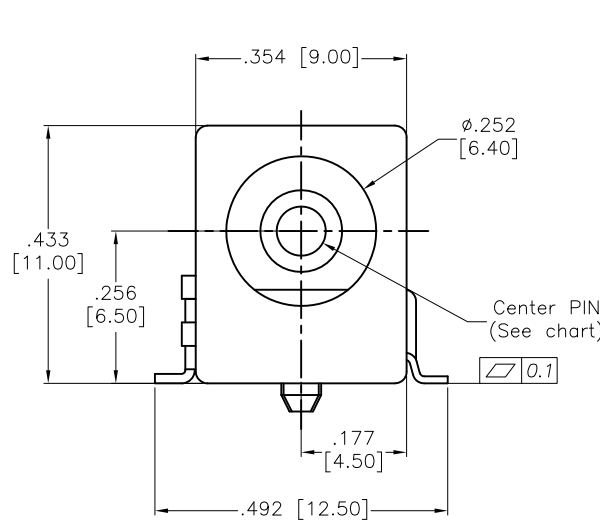
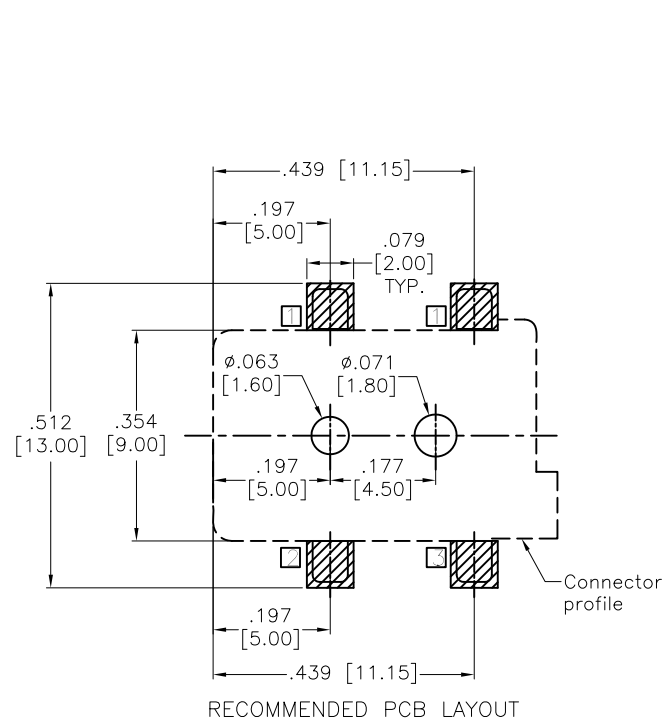


APPROVED: \_\_\_\_\_  
 DATE: \_\_\_\_\_ TITLE: \_\_\_\_\_

Rev	AWO #	Description	Date	Appr
-		RELEASED	11/27/18	

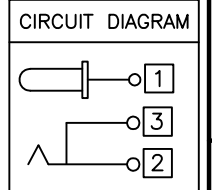


**SPECIFICATIONS:**  
 Material:  
 Insulator: PA10T, rated UL 94V-0  
 Insulator color: Black  
 Center Pin: Copper Alloy, CuSn plated  
 Contacts: Copper Alloy  
 Plating:  
 Silver over Copper underplate overall  
 Electrical:  
 Voltage rating: 20 VDC  
 Current rating: 5 A  
 Contact resistance: 30 mohms max.  
 Insulation resistance: 100 Mohms min. @ 500 VDC  
 Dielectric withstanding voltage: 500 VAC  
 Temperature Rating:  
 Operating temperature: -20°C to +70°C  
 Environmental:  
 Lead free, RoHS compliant



PACKAGED ON TAPE & REEL

PART NO.	CENTER PIN DIA.	PLUG O.D.
ADC-028-1-T/R-PA10T	Ø.079 [2.00]	Ø.081 [2.05]
ADC-028-2-T/R-PA10T	Ø.098 [2.50]	Ø.100 [2.55]
ADC-028-5-T/R-PA10T	Ø.093 [2.35]	Ø.094 [2.40]



UNLESS OTHERWISE SPECIFIED  
 ALL DIMENSIONS ARE INCHES [MM]  
 TOLERANCES: EXCEPT AS NOTED

INCHES		HOLES	
.X	± .10	Ø.X	± .10
.XX	± .020	Ø.XX	± .015
.XXX	± .015	Ø.XXX	± .010

APPROVALS		DATE
DRAWN	HR	11/27/18
CHECKED	MY	11/27/18
APPROVED		

**ADAM TECH** INTERCONNECTS  
 909 Rahway Avenue,  
 Union, NJ 07083  
 Phone: 908-687-5000  
 Fax: 908-687-5710

TITLE DC POWER JACK, 2.00mm, 2.50mm, 2.35mm CENTER PIN		
SIZE X	PART NO. ADC-028-X-T/R-PA10T	REV. -
REF: S00002C	SCALE: NTS	SHEET 1 OF 2

6 5 4 3 2 1

APPROVED: \_\_\_\_\_  
 DATE: \_\_\_\_\_ TITLE: \_\_\_\_\_

Rev	AWO #	Description	Date	Appr
SEE SHT 1 OF 2 FOR REVISION				

REMARK:

- The connector can not be loaded on the position of length 240~360mm in the reel tape and lead tape. The cover tape with 20~30mm length shall not be adhesive on the lead tape and the cover tape is lead portion shall have 150~200mm length (Refer FIG 1).
- Tape shall turn on right direction.
- The direction of connector is fixed regarding the position of terminal, please refer outline drawing (Refer FIG 2).
- After winding, using the adhesive tape (30~50mm) to stick the leader of cover tape on the side of reel.
- One reel can be loaded 250 pcs connector.
- The label shall be pasted on the front side of reel (Refer FIG 3).
- Condition of 300mm per minute, the extraction strength of cover tape shall reach 20~150 gf.
- If the quantity is less than 6 reel in one carton, the packing shall be able to resist to shark.

UNLESS OTHERWISE SPECIFIED  
 ALL DIMENSIONS ARE INCHES [MM]  
 TOLERANCES: EXCEPT AS NOTED

INCHES		HOLES	
.X	± .10	Ø.X	± .10
.XX	± .020	Ø.XX	± .015
.XXX	± .015	Ø.XXX	± .010

APPROVALS		DATE
DRAWN	HR	11/27/18
CHECKED	MY	11/27/18
APPROVED		

**ADAM TECH** INTERCONNECTS  
 909 Rahway Avenue,  
 Union, NJ 07083  
 Phone: 908-687-5000  
 Fax: 908-687-5710

TITLE: DC POWER JACK, 2.00mm, 2.50mm, 2.35mm CENTER PIN

SIZE	PART NO.	REV.
X	ADC-028-X-T/R-PA10T	-

REF: S00002C SCALE: NTS SHEET 2 OF 2

6 5 4 3 2 1