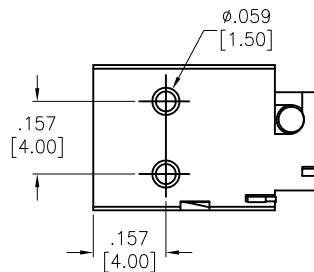
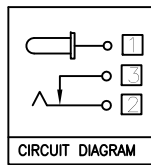
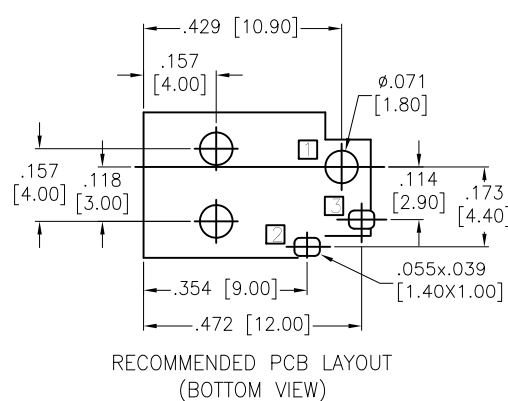
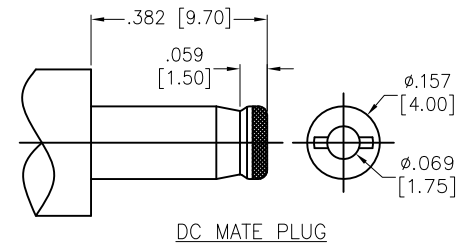
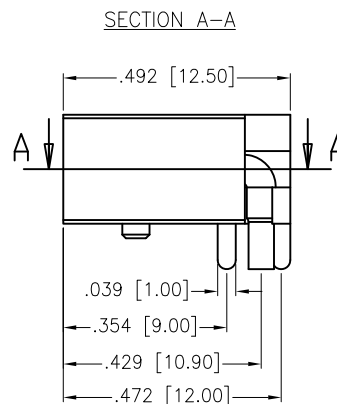
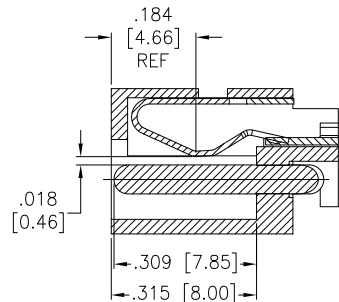
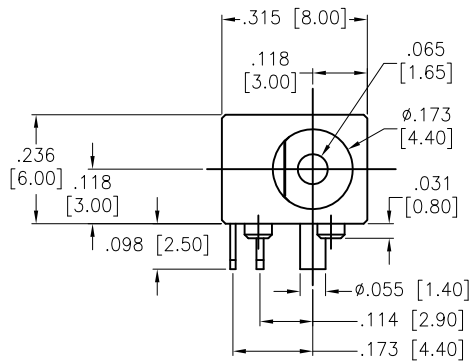


APPROVED: \_\_\_\_\_  
 DATE: \_\_\_\_\_ TITLE: \_\_\_\_\_

Rev	AWO #	Description	Date	Appr
-		RELEASED	6/10/10	
A		UPDATED DRAWING	5/11/18	HR/RT



**SPECIFICATIONS:**  
 Material:  
 Insulator: PBT, rated UL 94V-0  
 Insulator color: Black  
 Center Pin: Brass, Nickel plated  
 Contacts: Copper Alloy  
 Plating:  
 Silver over Nickel underplate  
 Electrical:  
 Voltage rating: 20 VDC  
 Current rating: 3 Amp  
 Contact resistance: 30 mohms max.  
 Insulation resistance: 100 Mohms min. @ 500 VDC  
 Dielectric withstanding voltage: 500 VAC  
 Temperature Rating:  
 Operating temperature: -20°C to +70°C  
 Environmental:  
 Lead free, RoHS compliant



UNLESS OTHERWISE SPECIFIED ALL DIMENSIONS ARE INCHES [MM] TOLERANCES: EXCEPT AS NOTED		<b>ADAM TECH</b> <b>INTERCONNECTS</b> 909 Rahway Avenue, Union, NJ 07083 Phone: 908-687-5000 Fax: 908-687-5710	
INCHES HOLES .X ± .10 Ø.X ± .10 .XX ± .020 Ø.XX ± .015 .XXX ± .015 Ø.XXX ± .010			
APPROVALS		DATE	
DRAWN	DY	6/10/10	
CHECKED			
APPROVED			
TITLE		DC POWER JACK, 1.65mm CENTER PIN	
SIZE	PART NO.	REV.	
X	ADC-055B-9	A	
REF:	S00002C	SCALE:	NTS
		SHEET 1 OF 1	