

6

5

4

3

2

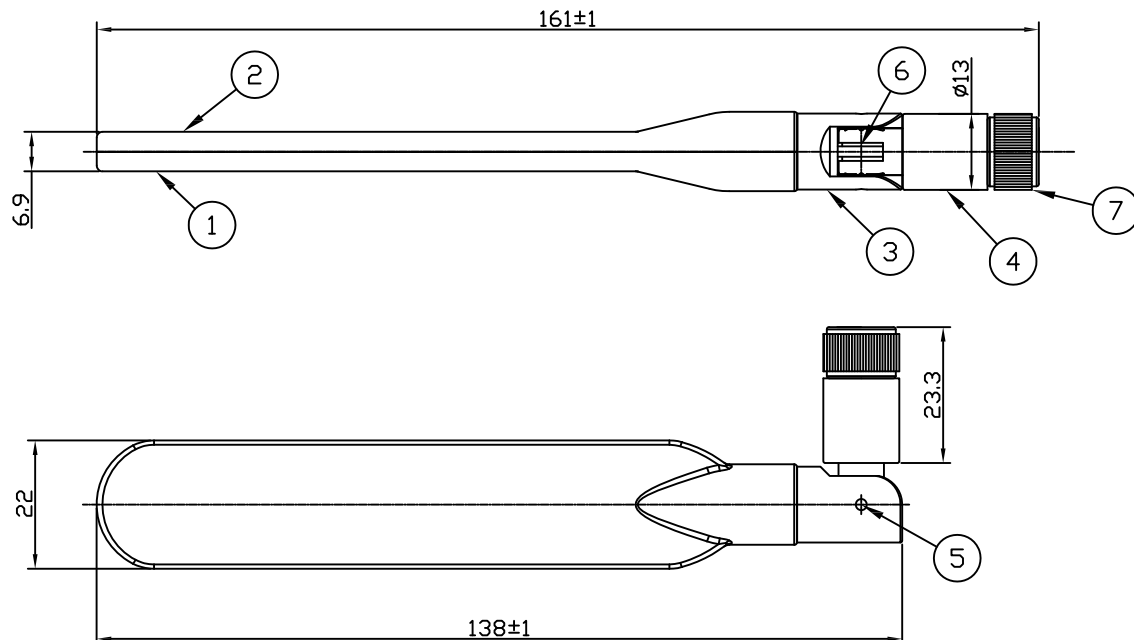
1

Rev	AWO #	Description	Date	Appr
-		RELEASED	11/15/18	

APPROVED: _____

DATE: _____ TITLE: _____

CUSTOM CABLE ASSEMBLIES ARE NON-CANCELLABLE / NON-RETURNABLE



7	CONNECTOR	SMA ST. PLUG
6	CABLE	RG178 CABLE,BROWN,50Ω
5	RIVET	PBT+PC,COLOR:BLACK
4	BOTTOM BASE	PBT+PC,COLOR:BLACK
3	UPPRT BASE	PBT+PC,COLOR:BLACK
2	ANTENNA CAP(R)	ASS,COLOR:BLACK
1	ANTENNA CAP(L)	ASS,COLOR:BLACK
ITEM	PART NAME	MATERIAL

SPECIFICATION

ELECTICAL PROPERTIES

FREQUENCY RANGE: 704~960/1710~2690MHz

IMPEDANCE: 50Ω

VSWR: 1.92:1MAX

RETURN LOSS: -10dB MAX

RADIATION: OMNI-DIRECTIONAL

GAIN: 2.0dBi

ADMITTED POWER: 1W

PHYSICAL PROPERTIES

ANTENNA COVER: ASS

ANTENNA BASE: PC

ANTENNA: PBT

COLOR: BLACK

CONNECTOR: SMA ST. PR

OPERATING TEMPERATURE: -40~+80

STORAGE TEMPERATURE: -45~+85

ENVIRONMENTAL:

LEAD FREE, ROHS COMPLIANT



UNLESS OTHERWISE SPECIFIED ALL DIMENSIONS ARE MILLIMETERS TOLERANCES: EXCEPT AS NOTED		ADAM TECH INTERCONNECTS		909 Rahway Avenue, Union, NJ 07083 Phone: 908-687-5000 Fax: 908-687-5710	
X ± 0.30 X.X ± 0.20 X.XX ± 0.10		APPROVALS		TITLE	
		DATE		LTE EXTERNAL ANTENNA	
DRAWN	AY	11/15/18		SIZE	PART NO.
CHECKED	AC	11/15/18		X	ANT-DK-LTE1DIP-2AP(P)
APPROVED				REF: S00291T	SCALE: NTS
				SHEET 1 OF 1	

6

5

4

3

2

1