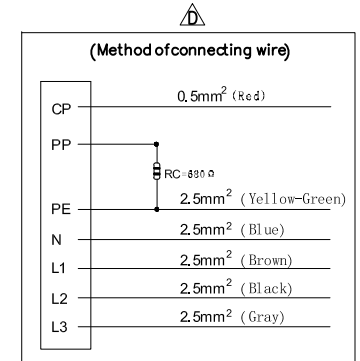
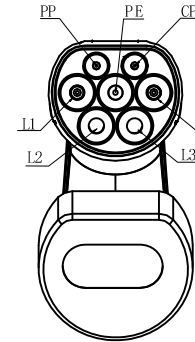
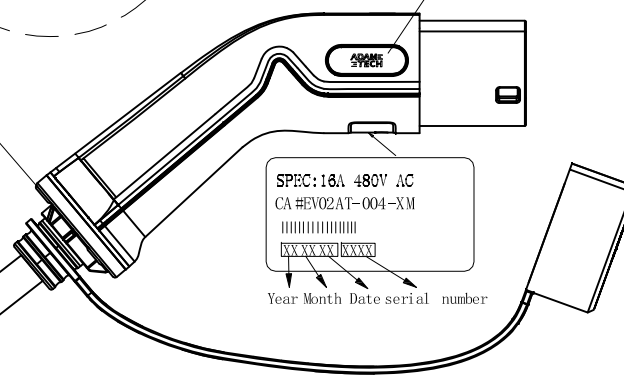
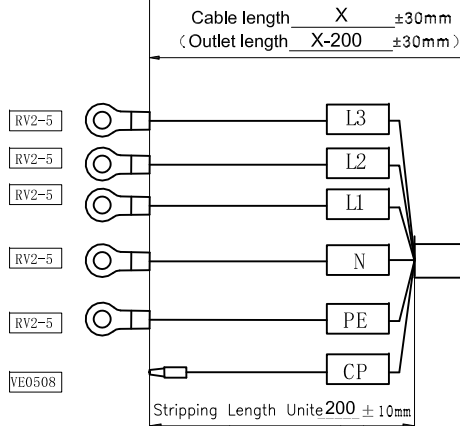
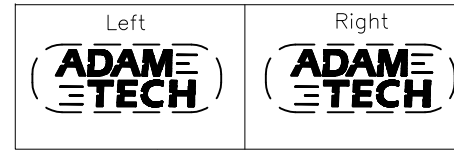
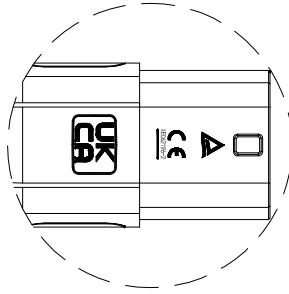
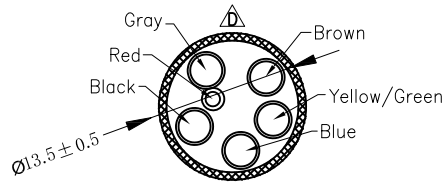


APPROVED: \_\_\_\_\_  
 DATE: \_\_\_\_\_ TITLE: \_\_\_\_\_

Rev	AWO #	Description	Date	Appr
-		RELEASED	5/6/20	
A		UPDATE DRAWING	4/6/22	LH/AC
B		UPDATE SPEC.	6/27/22	LH/AC
C		UPDATE DRAWING	12/16/22	WX/AC1
D		UPDATE DRAWING	12/28/22	LH/AC1



ADAM TECH P/N	LENGTH
CA #EV02AT-004-3M	3,000mm ±30mm
CA #EV02AT-004-5M	5,000mm ±30mm

**SPECIFICATIONS:**

**Material:**  
 Insulator: PC+PA66, Glass reinforced, Thermoplastic, rated UL 94V-0  
 Insulator color: White  
 Contacts: Copper Alloy, Silver plated surface  
**Electrical:**  
 Current rating: 16A  
 Voltage rating: 480 VAC  
 Insulation resistance: 500MΩ  
 Dielectric withstanding voltage: 2,000VAC  
**Mechanical:**  
 Mechanical life: unloaded plugged: >10,000  
 Insertion and Extraction Force: <100N  
 Temperature Rating:  
 Operating temperature: -30°C to +50°C  
**Environmental:**  
 Waterproof grade: IP54  
 Lead free, RoHS compliant



Charging plug: according to IEC62196-1 2014, IEC62196-2 2017 standard  
 Charging cable: 5G2.5mm<sup>2</sup>+1x0.5mm<sup>2</sup> (outer leather material TPU)

UNLESS OTHERWISE SPECIFIED  
 ALL DIMENSIONS ARE MILLIMETERS  
 TOLERANCES: EXCEPT AS NOTED



909 Rahway Avenue,  
 Union, NJ 07083  
 Phone: 908-687-5000  
 Fax: 908-687-5710

DRAWN	OW	5/6/20
CHECKED	AC	5/6/20
APPROVED		

TITLE  
**CABLE ASSEMBLY EV CHARGER**  
 TYPE 2 MALE PLUG 16A 3PHASE 2.5MM<sup>2</sup> TUV

THIS DRAWING CONTAINS INFORMATION THAT IS PROPRIETARY AND SHOULD NOT BE USED WITHOUT PRIOR WRITTEN PERMISSION FROM ADAM TECH

SIZE: X PART NO.: CA #EV02AT-004-XM REV.: D

REF: S00199C SCALE: NTS SHEET 1 OF 1