

6

5

4

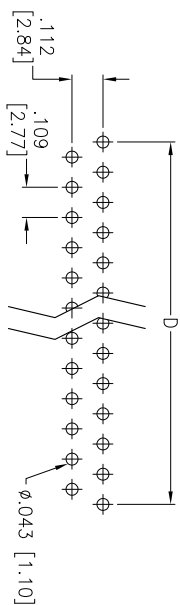
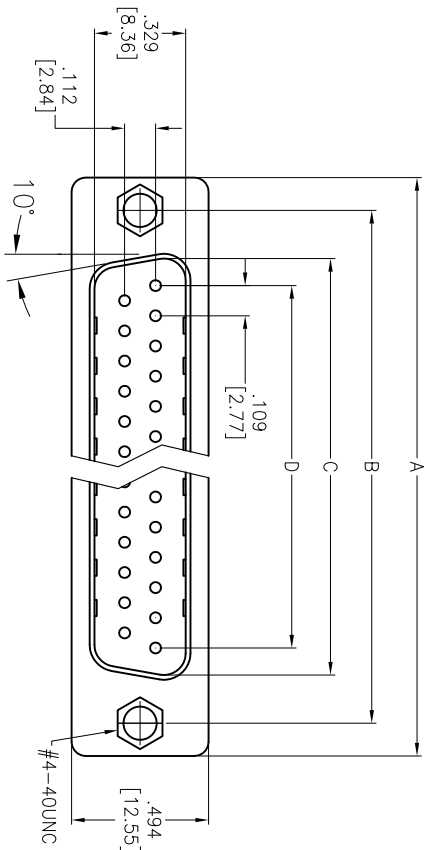
3

2

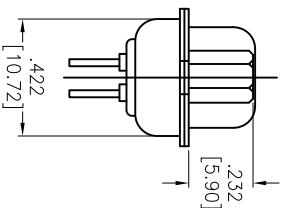
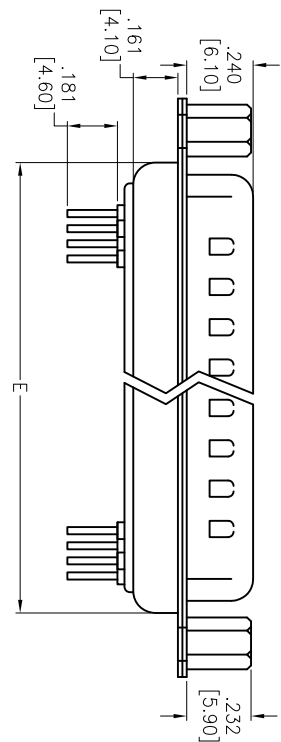
1

APPROVED: _____
 DATE: _____ TITLE: _____

| Rev | AWO # | Description | Date | Appr |
|-----|-------|--------------|----------|------|
| - | | RELEASED | 4/13/05 | |
| A | | CHART UPDATE | 4/27/06 | |
| B | | REDRAWN | 12/03/12 | |



RECOMMENDED PCB LAYOUT



SPECIFICATIONS:

Material:
 Insulator: PBT, Thermoplastic, glass filled, rated UL 94V-0
 Insulator color: Black
 Contacts: Copper alloy
 Shell: Steel, Tin plated
 Screwlock : Brass, Nickel Plated
 Plating:
 Gold flash over Nickel underplate overall
Electrical:
 Operating voltage: 250 VAC max.
 Current rating: 1 Amp max.
 Contact resistance: 20 mohms max.
 Insulation resistance: 1,000 Mohms min. @DC 500V
 Dielectric withstanding voltage: 1,000 VAC for 1 minute
 Temperature Rating:
 Operating temperature: -55°C to +85°C
Environmental:
 Lead free, RoHS compliant.

| DXXX | NO. OF CONTACTS | DIMENSIONS | | | | |
|------|-----------------|---------------|---------------|---------------|---------------|---------------|
| | | A | B | C | D | E |
| DE09 | 9 | 1.213 [30.81] | .984 [24.99] | .666 [16.92] | .436 [11.08] | .756 [19.20] |
| DA15 | 15 | 1.543 [39.20] | 1.311 [33.30] | .994 [25.25] | .763 [19.39] | 1.091 [27.70] |
| DB25 | 25 | 2.088 [53.04] | 1.852 [47.04] | 1.534 [38.96] | 1.309 [33.24] | 1.618 [41.10] |
| DC37 | 37 | 2.732 [69.40] | 2.500 [63.50] | 2.182 [55.42] | 1.963 [49.86] | 2.256 [57.30] |

ADAM TECH

909 Rahway Avenue, Union, NJ 07083
 Phone: 908-687-5000 Fax: 908-687-5710

TITLE: D-SUB PLUG, STANDARD PROFILE
 RIVETED #4-40 JACKSCREWS

| UNLESS OTHERWISE SPECIFIED ALL DIMENSIONS ARE INCHES [MM] | | TOLERANCES: EXCEPT AS NOTED | |
|--|-------------|-----------------------------|-------------|
| INCHES | HOLES | INCHES | HOLES |
| .X ± .10 | ØXX ± .10 | .XX ± .020 | ØXXX ± .015 |
| .XXX ± .015 | ØXXX ± .010 | | |

| APPROVALS | DATE | SIZE | PART NO. | REV. |
|-----------|------|---------|--------------|------|
| DRAWN | SS | 4/13/05 | DXXX-PT-1-JS | B |
| CHECKED | | | | |
| APPROVED | | | | |

| REF. | SCALE: | NITS | SHEET | 1 OF 1 |
|---------|--------|------|-------|--------|
| S00087T | | | | |

A

B

C

D

A

B

C

D

6

5

4

3

2

1

