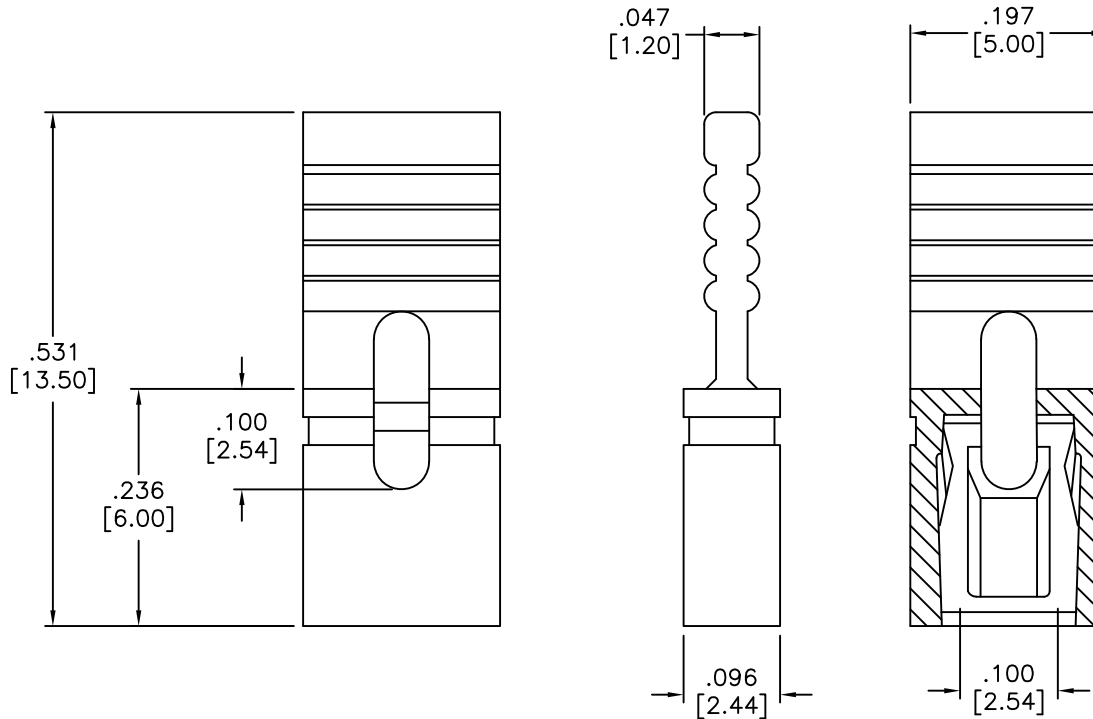


APPROVED: _____
 DATE: _____ TITLE: _____

Rev	AWO #	Description	Date	Appr
-		RELEASED	4/6/05	
A		CHANGED AMP TO 3A, WAS 1A	5/3/06	
B		REDRAWN	9/20/11	
C		UPDATE SPEC.	9/11/19	AY/BC



SPECIFICATIONS:

Material:
 Insulator: Nylon 66, rated UL 94V-0
 Insulator color: Black
 Contacts: Copper Alloy
 Plating:
 G = Gold flash over Nickel underplate overall
 T = Tin over Copper underplate overall
 Electrical:
 Current rating: 3 Amp max
 Contact resistance: 30 mohms max
 Insulation resistance: 1,000 Mohms min
 Dielectric withstanding voltage: 650 VAC for 1 minute
 Temperature Rating:
 Operating temperature: -55°C to +105°C

Environmental:
 Lead free, RoHS compliant.



UNLESS OTHERWISE SPECIFIED ALL DIMENSIONS ARE INCHES [MM] TOLERANCES: EXCEPT AS NOTED INCHES HOLES		
.X ± .10	Ø.X ± .10	
.XX ± .020	Ø.XX ± .015	
.XXX ± .015	Ø.XXX ± .010	
APPROVALS		DATE
DRAWN	SS	4/6/05
CHECKED		
APPROVED		

ADAM TECH
INTERCONNECTS

909 Rahway Avenue,
 Union, NJ 07083
 Phone: 908-687-5000
 Fax: 908-687-5710

TITLE		.100 [2.54] MINI SHUNT, HANDLE TOP	
		.531 [13.50] HEIGHT	
SIZE	PART NO.	REV.	
X	MSBH-X	C	
REF:	S00076T	SCALE:	NTS
		SHEET 1 OF 1	