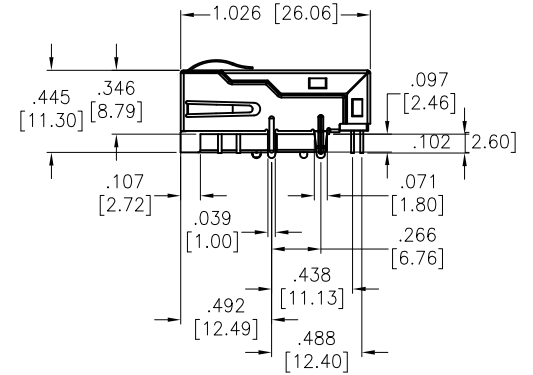
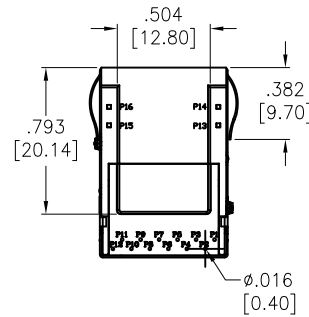
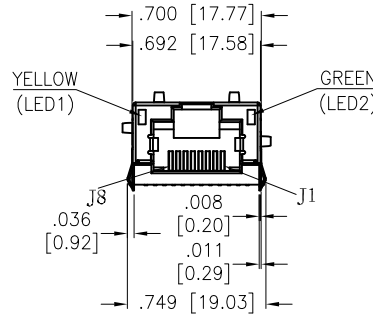
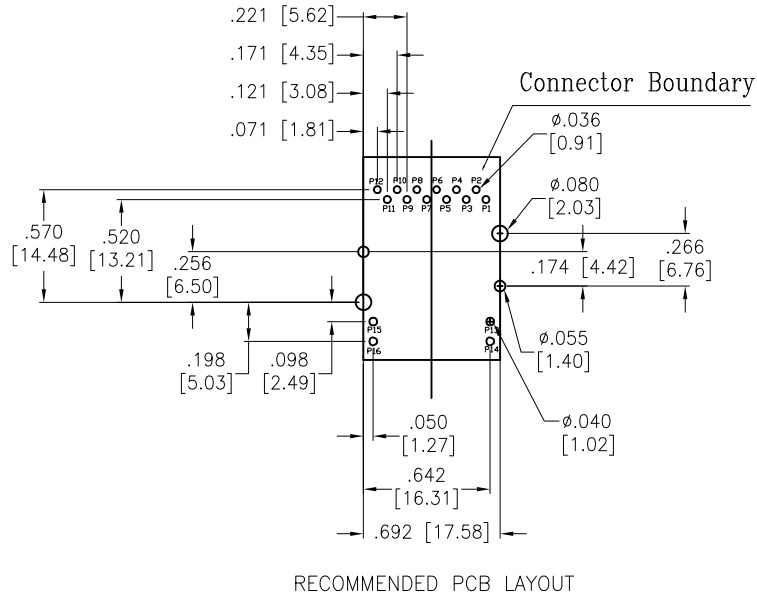


APPROVED: \_\_\_\_\_  
 DATE: \_\_\_\_\_ TITLE: \_\_\_\_\_

Rev	AWO #	Description	Date	Appr
-		RELEASED	8/19/19	
A		UPDATE DRAWING	11/9/20	OW/JL



**SPECIFICATIONS:**

Material:  
 Housing: Thermoplastic, rated UL 94V-0, Color: Black  
 Contacts: Phosphor Bronze  
 Shield: Brass, Nickel plated

Plating:  
 Round contact  
 Gold over Nickel underplate overall  
 Flat contact  
 Gold over Nickel underplate on contact area,  
 Tin over Nickel underplate on solder tails

Electrical:  
 Voltage rating: 150 VAC  
 Contact Resistance: 20 mohms max  
 Insulation resistance: 500 Mohms min  
 Dielectric withstanding voltage: 500 VDC minimum for 1 minute  
 Temperature Rating:  
 Operating temperature: -40°C to +85°C

Environmental:  
 Lead free, RoHS compliant.



UNLESS OTHERWISE SPECIFIED ALL DIMENSIONS ARE INCHES [MM] TOLERANCES: EXCEPT AS NOTED			
INCHES		HOLES	
.X	± .10	Ø.X	± .10
.XX	± .020	Ø.XX	± .015
.XXX	± .015	Ø.XXX	± .010

APPROVALS		DATE
DRAWN	OW	8/19/19
CHECKED	IW	8/19/19
APPROVED		



909 Rahway Avenue,  
 Union, NJ 07083  
 Phone: 908-687-5000  
 Fax: 908-687-5710

TITLE MODULAR TELEPHONE JACK, 1 PORT, 8P8C FULL SHIELDED, W/ LED1 YELLOW, LED2 GREEN			
SIZE X	PART NO. MTJ-88BAX1-FS-PG-LG-M236C-WOT	REV. A	
REF: S00005C	SCALE: NTS	SHEET 1 OF 2	

6 5 4 3 2 1

APPROVED: \_\_\_\_\_  
 DATE: \_\_\_\_\_ TITLE: \_\_\_\_\_

Rev	AWO #	Description	Date	Appr
SEE SHT 1 OF 2 FOR REVISION				

Circuit Schematic:

P16  
 P15  
 P14  
 P13

Pin	Green	Yellow
P13	-	-
P14	+	+

Electrical Specifications:

PARAMETER	SPECIFICATIONS		
URNS RATIO	1.00 ± 2%		
POLARITY	PER SCHEMATIC		
INSERTION LOSS	1-50MHz	50-125MHz	125-250MHz
	-0.5 dB MIN	-1.2 dB MIN	-2 dB MIN
RETURN LOSS	1-40 MHz	40-250 MHz	
	-16 dB MIN	-16+10Log10(f/40) 40<f≤250 dB	
COMMON MODE REJECTION RATIO	1-40 MHz	40-100 MHz	100-250 MHz
	-30 dB MIN	-28 dB MIN	-26 dB MIN
	DIFFERENTIAL MODE TO COMMON MODE ATTENUATION		
1-250 MHz			
-30dB MIN			
CROSSTALK ADJACENT CHANNELS	1-100 MHz	100-250 MHz	
	-30dB MIN	-25dB MIN	
INDUCIANCE (OCL)	180uH MIN @100KHZ,0.1V WITH 8mA DC BIAS		
CURRENT CARRYING CAPABILITY,RJ45 PIN 1-8	720mA MAX. @57VDC CONTINUOUS		
INPUT - OUTPUT ISOLATION	500VDC MINIMUM FOR 60 SECONDS		

NOTE: f IS FREQUENCY IN MHZ.

UNLESS OTHERWISE SPECIFIED  
 ALL DIMENSIONS ARE INCHES [MM]  
 TOLERANCES: EXCEPT AS NOTED  
 INCHES HOLES

.X	± .10	∅.X	± .10
.XX	± .020	∅.XX	± .015
.XXX	± .015	∅.XXX	± .010

APPROVALS		DATE
DRAWN	OW	8/19/19
CHECKED	IW	8/19/19
APPROVED		

**ADAM TECH**  
 909 Rahway Avenue,  
 Union, NJ 07083  
 Phone: 908-687-5000  
 Fax: 908-687-5710

TITLE: MODULAR TELEPHONE JACK, 1 PORT, 8P8C  
 FULL SHIELDED, W/ LED1 YELLOW, LED2 GREEN

SIZE	PART NO.	REV.
X	MTJ-88BAX1-FS-PG-LG-M236C-WOT	A
REF:	S00005C	SCALE: NTS
		SHEET 2 OF 2

6 5 4 3 2 1