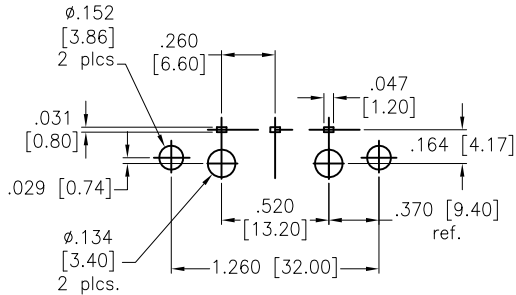
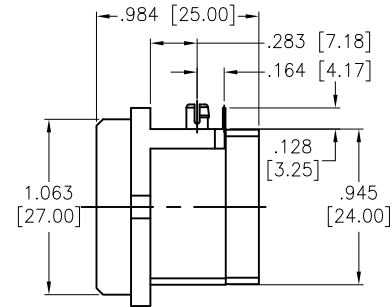
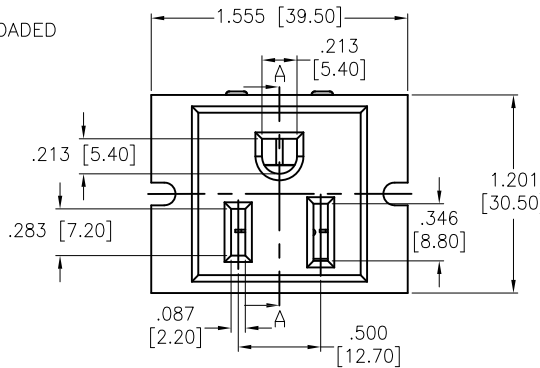
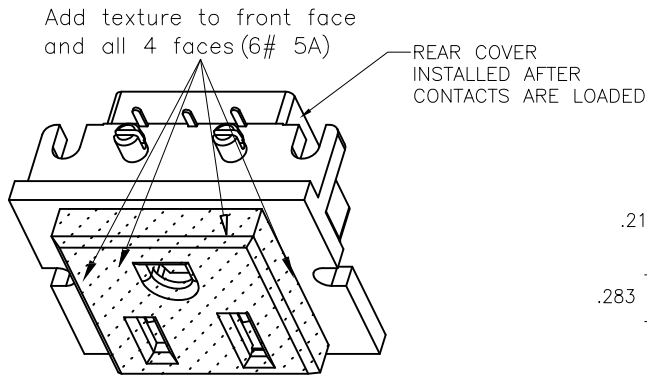
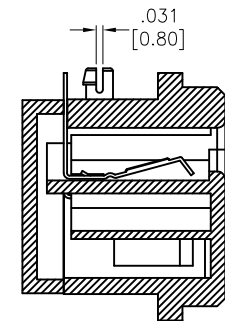
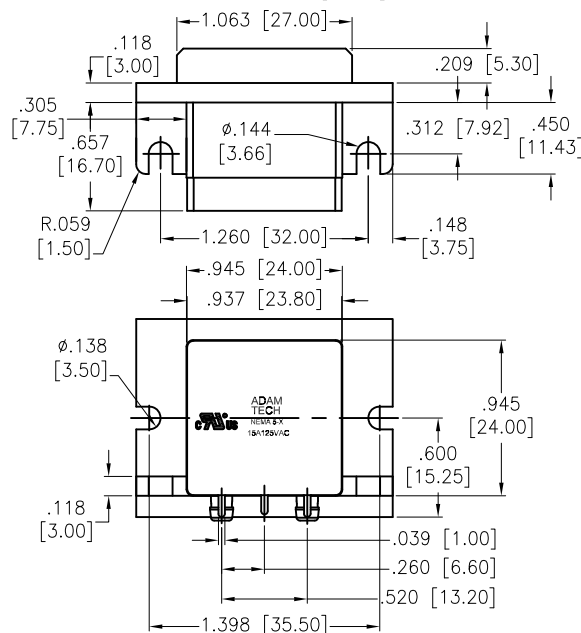


APPROVED: \_\_\_\_\_  
 DATE: \_\_\_\_\_ TITLE: \_\_\_\_\_

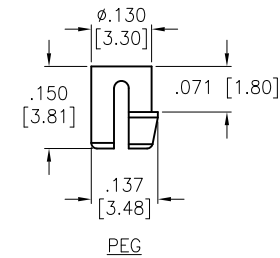
Rev	AWO #	Description	Date	Appr
C	AN4860	UPDATED SHAPE	4/8/15	HR/TW
D	AN4860	UPDATED TERMINAL THICKNESS	07/24/15	TW/SS



RECOMMENDED PCB LAYOUT



SECTION A-A



PEG

**SPECIFICATIONS:**

**Material:**  
 Insulator: Nylon 66, rated UL94V-0  
 Insulator color: Black  
 Contacts: Phosphor Bronze, C5191, T=0.5mm  
 Plating:  
 100u" min Matte Tin on PCB tails, 80u" Min. Nickel on balance of contact, 50u" Min Copper underplate overall.  
**Electrical:**  
 Operating voltage: 125 VAC  
 Current rating: UL 15 Amps max.  
 Contact Resistance: 30 milli ohms max  
 Insulation resistance: 100 Mega ohms min. @ 500 VDC  
 Dielectric withstanding voltage: 2,000 VAC for 1 minute  
 Leakage current shall not exceed 5 micro amps at 125VAC/60Hz  
**Mechanical:**  
 Durability: 500 Mating Cycles Min.  
 Insertion force: 10 kgf Max.  
 Extraction force: 1.5~5 kgf Min.  
**Environmental:**  
 Operating Temperature: -40°C to +70°C  
 Lead free, RoHS Compliant  
 Safety Agency Certifications:  
 UL recognized under UL 498 specifications



UNLESS OTHERWISE SPECIFIED  
 ALL DIMENSIONS ARE INCHES [MM]  
 TOLERANCES: EXCEPT AS NOTED

INCHES		HOLES	
.X	± .10	∅X	± .10
.XX	± .020	∅XX	± .015
.XXX	± .015	∅XXX	± .010

**ADAM TECH**

909 Rahway Avenue, Union, NJ 07083  
 Phone: 908-687-5000 Fax: 908-687-5710

APPROVALS		DATE
DRAWN	SS	8/15/14
CHECKED	TW	8/15/14
APPROVED		

TITLE			
NEMA 5-15R RECEPTACLE, FLANGED, RIGHT ANGLE PC MOUNT			
SIZE	PART NO.	REV.	
X	NEMA-5-3-RA-AN4860-1-065	D	
REF:	S00087C	SCALE:	NTS
		SHEET 1 OF 1	