

6

5

4

3

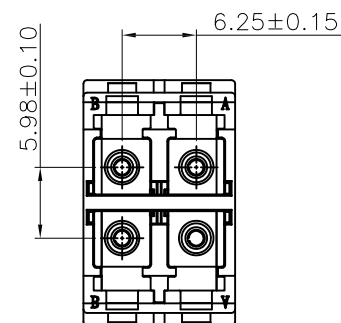
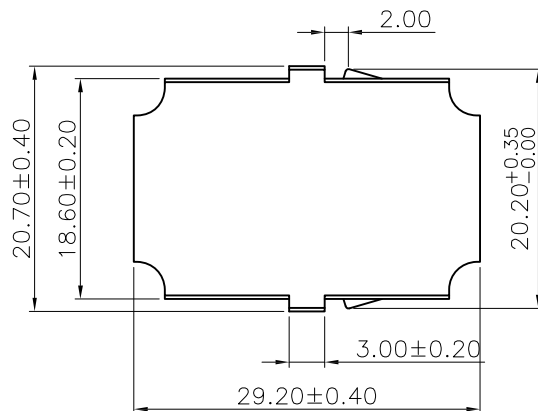
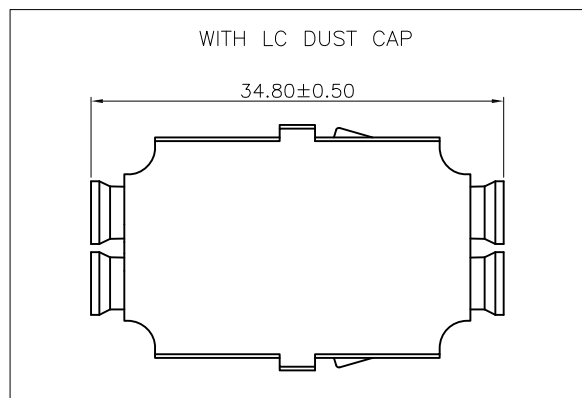
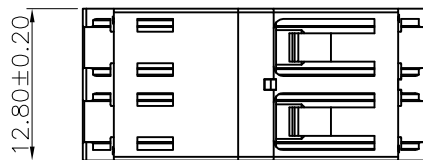
2

1

APPROVED: _____

DATE: _____ TITLE: _____

Rev	AWO #	Description	Date	Appr
-		RELEASED	9/8/20	



SPECIFICATIONS:

Material:
 Housing: PBT, rated UL 94V-0, Color: Blue
 Cap: PP, rated UL 94V-0, Color: White
 Electrical:

A Standards of IEC 61754-20, YD/T 1272.1-2003
 Repeatability: 500 min times
 Insertion loss: 0.2dB max
 Interchangeability: 0.2dB
 Temperature Rating:
 Operating temperature: -40°C to +85°C
 Environmental:
 Lead free, RoHS compliant.



UNLESS OTHERWISE SPECIFIED
 ALL DIMENSIONS ARE MILLIMETERS
 TOLERANCES: EXCEPT AS NOTED

MM	ANGLE
X. ± 0.35	X.* ± 2°
.X ± 0.30	.X* ± 1°
.XX ± 0.25	.XX* ± 0.5°
.XXX ± 0.15	.XXX* ± 0.5°

ADAM TECH INTERCONNECTS 909 Rahway Avenue,
 Union, NJ 07083
 Phone: 908-687-5000
 Fax: 908-687-5710

APPROVALS		DATE
DRAWN	OW	9/8/20
CHECKED	JL	9/8/20
APPROVED		

TITLE OPTICAL LC ADAPTERS, PC, DUAL ROW, 2*2 PORTS, SHORT EARS, WITH LC DUST CAP		
SIZE X	PART NO. OPLB4SBNNC1NA	REV. -
REF: S00005C	SCALE: NTS	SHEET 1 OF 1

6

5

4

3

2

1