

6

5

4

3

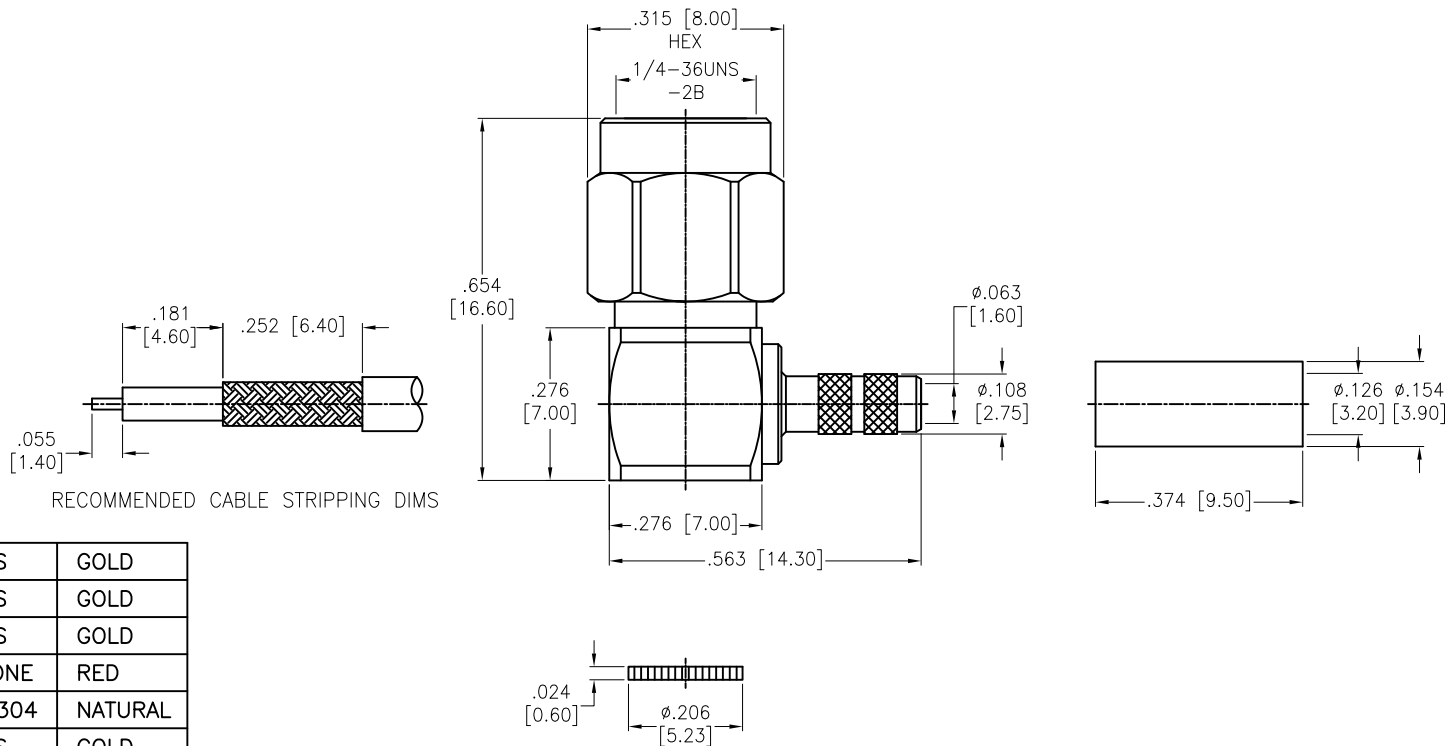
2

1

APPROVED: _____

DATE: _____ TITLE: _____

Rev	AWO #	Description	Date	Appr
-		RELEASED	7/20/16	



RECOMMENDED CABLE STRIPPING DIMS

FERRULE	BRASS	GOLD
CAP	BRASS	GOLD
SHELL	BRASS	GOLD
GASKET	SILICONE	RED
RING	SUS 304	NATURAL
CONTACT PIN	BRASS	GOLD
BARREL	BRASS	GOLD
INSULATOR	PTFE	WHITE
BODY	BRASS	GOLD
DESCRIPTION	MATERIAL	FINISH

SPECIFICATIONS:

Electrical:
 Frequency range: DC-6 GHz
 Nominal Impedance: 50 Ohms
 Working Voltage: 250 VOLTS max
 Proof Voltage: 750 VOLTS
 VSWR : 1.3 Max @ 3 GHz
 Temperature Rating:
 Operating temperature: -65°C to +165°C
 Environmental:
 Lead free, RoHS compliant.



UNLESS OTHERWISE SPECIFIED ALL DIMENSIONS ARE INCHES [MM] TOLERANCES: EXCEPT AS NOTED		
INCHES HOLES		
.X ± .10	ϕ .X ± .10	
.XX ± .020	ϕ .XX ± .015	
.XXX ± .015	ϕ .XXX ± .010	
APPROVALS		DATE
DRAWN	AY	7/20/16
CHECKED	SY	7/20/16
APPROVED		

ADAM TECH
 909 Rahway Avenue, Union, NJ 07083
 Phone: 908-687-5000 Fax: 908-687-5710

TITLE: RF CONNECTOR, SMA R/A PLUG
 RG-174, 316, LMR-100

SIZE	PART NO.	REV.
X	RF2-01A-02-50-G	-

REF: S00277T SCALE: NTS SHEET 1 OF 1

6

5

4

3

2

1