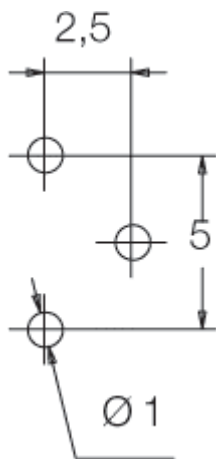
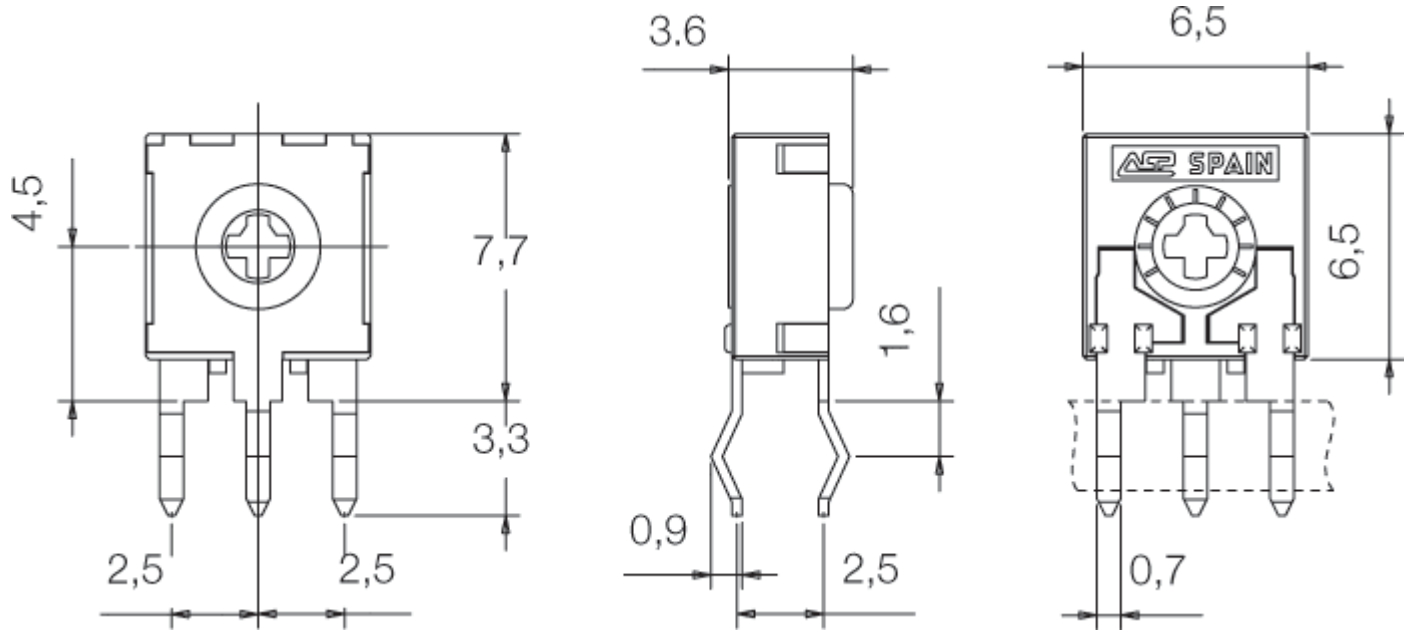
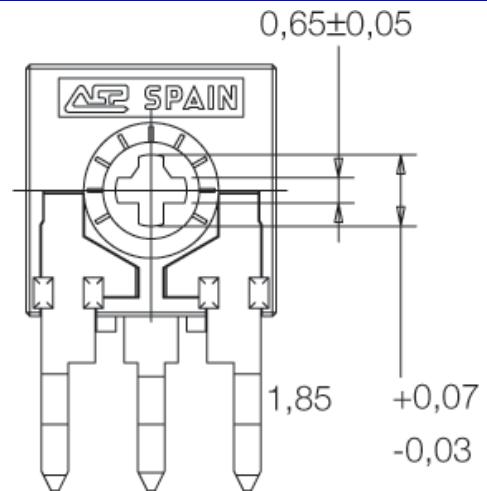


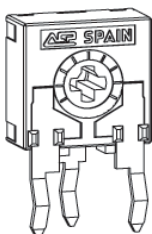
Product Drawing



PCB Layout



Standard Rotor ('X')



Mechanical tolerances (millimeters)	
Nominal dimension	Allowable variance
< 1	± 0.1
1... < 5	± 0.3
≥ 5	± 0.5

Description:	Standard Outline Drawing
P/N	CA6H2.5