

DC BLOWER 60x60x15mm



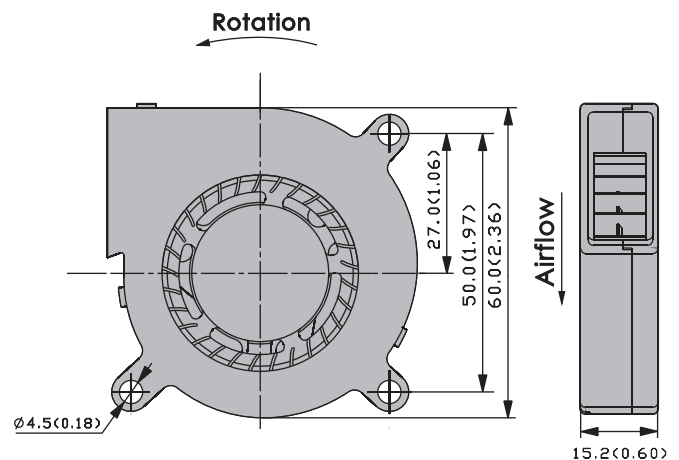
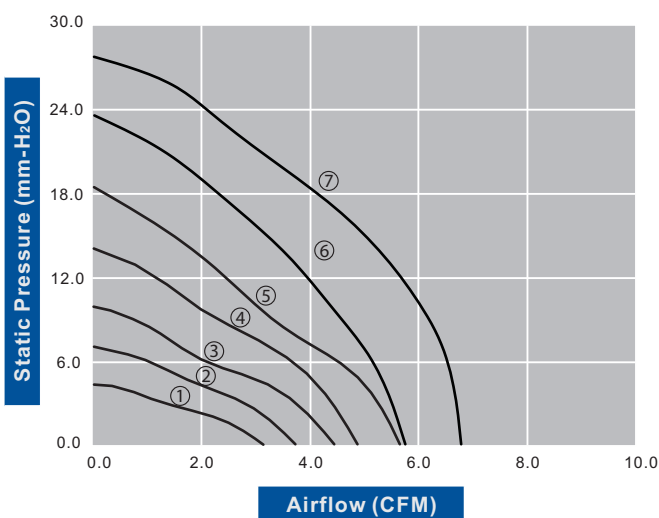
Housing/Blade: Thermoplastic PBT, UL 94V-0
 Insulation Resistance: 10MΩ, 500VDC/min between bare wire and frame
 Dielectric Strength: 5mA max. 500VAC/min between bare wire and frame
 Operation Temperature: -20°C~70°C(Humidity 15%-90%RH)
 Storage Temperature: -40°C~85°C(Humidity 15%-90%RH)
 Lead Wire: UL Type #26 AWG
 Weight: 28 g



ES IP SF

Model Number	Voltage (VDC)	Op. Voltage (VDC)	AirFlow (CFM)	Static Pres. (mm-H ₂ O)	Noise (dBA)	Speed (RPM)	Current (mA)	Power (W)	Available Bearing	Additional Function (See Page 3)	Curves
FBD6015B12W1-81	12	9.0~13.8	3.10	4.50	22.40	2,500	50	0.60	B	P,U,X	①
FBD6015B12W3-81	12	6.0~13.8	3.70	6.80	25.20	3,000	80	0.96	B	P,U,X	②
FBD6015B12W5-81	12	6.0~13.8	4.40	9.90	29.50	3,500	100	1.20	B	P,U,X	③
FBD6015B12W7-81	12	6.0~13.8	4.80	13.80	32.80	4,000	120	1.44	B	P,U,X	④
FBD6015B12W9-81	12	6.0~13.8	5.60	18.20	36.30	4,500	180	2.16	B	P,U,X	⑤
FBD6015B12W11-81	12	6.0~13.8	6.10	23.60	39.50	5,000	270	3.24	B	P,U,X	⑥
FBD6015B12W13-81	12	6.0~13.8	6.90	27.40	41.30	5,500	390	4.68	B	P,U,X	⑦

Specifications are subject to change without notice



unit: mm(inch)

