

# DC AXIAL FAN 120x120x38mm (Stator Outlet Blade)



Housing/Blade: Thermoplastic PBT, UL 94V-0  
 Insulation Resistance: 10MΩ, 500VDC/min between bare wire and frame  
 Dielectric Strength: 5mA max, 500VAC/min between bare wire and frame  
 Operation Temperature: -20°C~70°C(Humidity 15%-90%RH)  
 Storage Temperature: -40°C~85°C(Humidity 15%-90%RH)  
 Lead Wire: UL Type #24 AWG  
 Weight: 415 g      Packing: 40PCS/CTN



**ES** **IP** **SF**

- High Airflow
- Extremely High Static Pressure

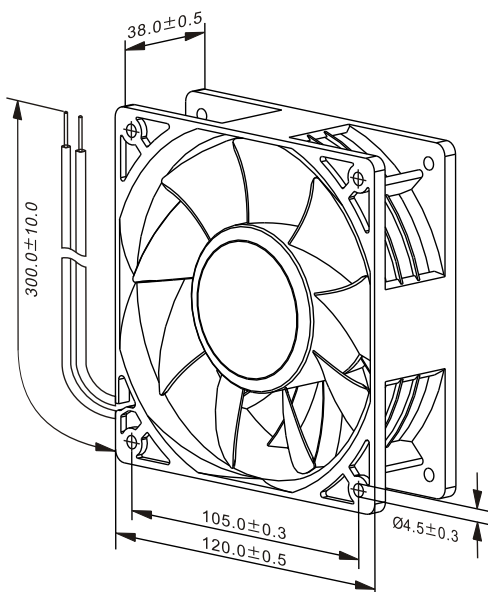


DC Axial Fans

Model Number		Voltage (VDC)	Op. Voltage (VDC)	Air Flow (CFM)	Static Pres. (mm-H <sub>2</sub> O)	Noise (dBA)	Speed (RPM)	Current (mA)	Power (W)	Available Bearing	Curves
FD1238B12W3-85	★▲	12	6.0~13.8	209.40	33.00	58.60	4,700	2000	24.00	B	①
FD1238B12W5-85	★▲	12	6.0~13.8	238.60	44.40	64.60	5,700	3000	36.00	B	②
FD1238B12W7-85	★▲	12	6.0~13.8	275.30	48.70	67.50	6,500	4350	52.20	B	③
FD1238B24W3-85	★▲	24	16.0~27.6	209.40	33.00	58.60	4,700	860	20.64	B	①
FD1238B24W5-85	★▲	24	16.0~27.6	238.60	44.40	64.60	5,700	1400	33.60	B	②
FD1238B24W7-85	★▲	24	16.0~27.6	275.30	48.70	67.50	6,500	2100	50.40	B	③
FD1238B48W3-85	★▲	48	30.0~55.2	209.40	33.00	58.60	4,700	430	20.64	B	①
FD1238B48W5-85	★▲	48	30.0~55.2	238.60	44.40	64.60	5,700	700	33.60	B	②
FD1238B48W7-85	★▲	48	30.0~55.2	275.30	48.70	67.50	6,500	1000	48.00	B	③

- If model depicts "★", auto restart protection function built in.
- If model depicts "▲", polarity protection function built in.

Specifications are subject to change without notice



unit: mm

