

DC AXIAL FAN 120x120x38mm (Stator Outlet Blade)



Housing/Blade: Thermoplastic PBT, UL 94V-0
 Insulation Resistance: 10MΩ, 500VDC/min between bare wire and frame
 Dielectric Strength: 5mA max. 500VAC/min between bare wire and frame
 Operation Temperature: -10°C~70°C(Humidity 35%-85%RH)
 Storage Temperature: -40°C~70°C(Humidity 35%-85%RH)
 Lead Wire: UL Type #24 AWG
 Weight: 350 g Packing: 40PCS/CTN



SS IP SF

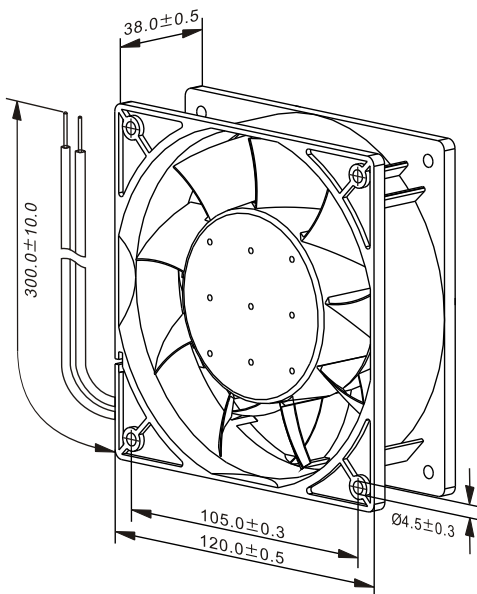


DC Axial Fans

Model Number		Voltage (VDC)	Op.Voltage (VDC)	Air Flow (CFM)	Static Pres. (mm-H ₂ O)	Noise (dBA)	Speed (RPM)	Current (mA)	Power (W)	Available Bearing	Curves
FD1238B12W2-63	★▲	12	6.0~13.8	141.90	12.10	51.20	3,000	1,500	18.00	B,S	①
FD1238B12W3-63	★▲	12	6.0~13.8	191.40	21.90	58.10	4,000	2,000	24.00	B,S	②
FD1238B12W5-63	★▲	12	6.0~13.8	229.40	34.90	64.00	5,000	3,600	43.20	B,S	③
FD1238B24W2-63	★▲	24	12.0~27.6	141.90	12.10	51.20	3,000	600	14.40	B,S	①
FD1238B24W3-63	★▲	24	12.0~27.6	191.40	21.90	58.10	4,000	1,100	26.40	B,S	②
FD1238B24W5-63	★▲	24	12.0~27.6	229.40	34.90	64.00	5,000	1,700	40.80	B,S	③
FD1238B48W2-63	★▲	48	24.0~55.2	141.90	12.10	51.20	3,000	330	15.84	B,S	①
FD1238B48W3-63	★▲	48	24.0~55.2	191.40	21.90	58.10	4,000	380	18.24	B,S	②
FD1238B48W5-63	★▲	48	24.0~55.2	229.40	34.90	64.00	5,000	850	40.80	B,S	③
FD1238B48W7-63	★▲	48	24.0~55.2	287.20	47.60	69.00	6,000	1,300	62.40	B,S	④

- For "Sleeve" bearing version, change the "B" in the model number to "S".
- If model depicts "★", auto restart protection function built in.
- If model depicts "▲", polarity protection function built in.

Specifications are subject to change without notice



unit: mm

