

DC AXIAL FAN 120x120x38mm



Housing/Blade: Thermoplastic PBT, UL 94V-0
 Insulation Resistance: 10MΩ, 500VDC/min between bare wire and frame
 Dielectric Strength: 5mA max, 500VAC/min between bare wire and frame
 Operation Temperature: -20°C~70°C(Humidity 15%-90%RH)
 Storage Temperature: -40°C~85°C(Humidity 15%-90%RH)
 Lead Wire: UL Type #24 AWG
 Weight: 375 g Packing: 40PCS/CTN



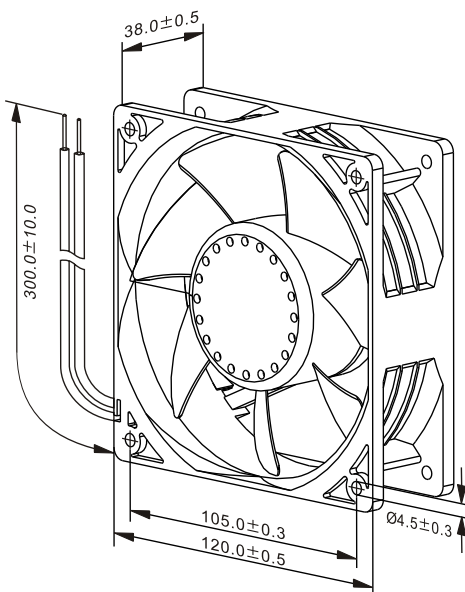
ES **IP** **SF**

- High Airflow
- High Static Pressure

Model Number		Voltage (VDC)	Op.Voltage (VDC)	Air Flow (CFM)	Static Pres. (mm-H ₂ O)	Noise (dBA)	Speed (RPM)	Current (mA)	Power (W)	Available Bearing	Curves
FD1238B12W3-84	★▲	12	6.0~13.8	159.30	15.80	50.20	3,500	730	8.76	B	①
FD1238B12W5-84	★▲	12	6.0~13.8	184.80	21.80	54.70	4,100	1,080	12.96	B	②
FD1238B12W7-84	★▲	12	6.0~13.8	203.90	25.40	58.60	4,600	1,400	16.80	B	③
FD1238B24W3-84	★▲	24	16.0~27.6	159.30	15.80	50.20	3,500	350	8.40	B	①
FD1238B24W5-84	★▲	24	16.0~27.6	184.80	21.80	54.70	4,100	550	13.20	B	②
FD1238B24W7-84	★▲	24	16.0~27.6	203.90	25.40	58.60	4,600	700	16.80	B	③
FD1238B48W3-84	★▲	48	30.0~55.2	159.30	15.80	50.20	3,500	180	8.64	B	①
FD1238B48W5-84	★▲	48	30.0~55.2	184.80	21.80	54.70	4,100	270	12.96	B	②
FD1238B48W7-84	★▲	48	30.0~55.2	203.90	25.40	58.60	4,600	360	17.28	B	③

- If model depicts "★", auto restart protection function built in.
- If model depicts "▲", polarity protection function built in.

Specifications are subject to change without notice



unit: mm

