

AC AXIAL FAN 172x150x51mm (Metal Impeller)



Housing: Die-Cast Aluminum, Painted Black
 Blade: Iron in Black
 Insulation Resistance: 100MΩ, 500VDC/min between bare wire and frame
 Dielectric Strength: 1500VAC for one minute
 Operation Temperature: -10°C~70°C(Humidity 35%-85%RH)
 Storage Temperature: -40°C~85°C(Humidity 35%-85%RH)
 Motor Protection: Thermal Protected
 Weight: 790 g



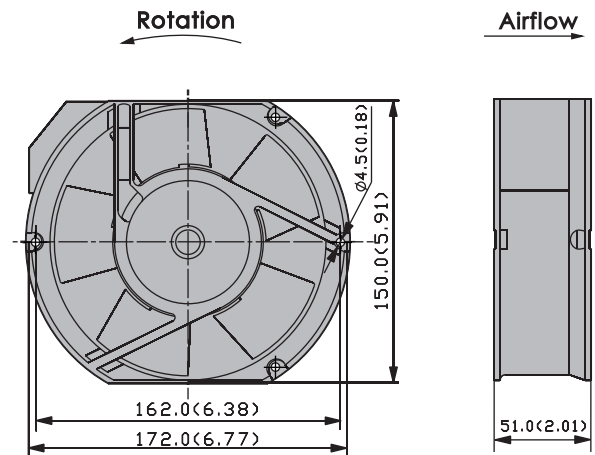
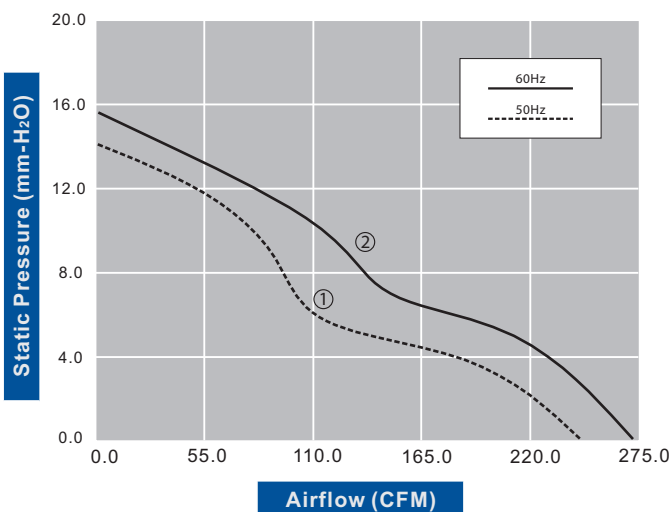
SS

Model Number	Voltage (VAC)	Frequency (Hz)	AirFlow (CFM)	Stat.Pres. (mm-H ₂ O)	Noise (dBA)	Speed (RPM)	Current (mA)	Power (W)	Available Bearing	Curves
FA1751B11T7C-93	115	50/60	243.6/274.1	14.4/15.9	53.2/56.1	2,750/3,150	200/170	23/24	B	①/②
FA1751B22T7C-93	230	50/60	243.6/274.1	14.4/15.9	53.2/56.1	2,750/3,150	100/90	23/24	B	①/②

• For "Wire Lead" version, change the "T" in the model number to "W".

Specifications are subject to change without notice

AC Axial Fans



unit: mm(inch)