

The CIO-EN communications module is a convenient and cost-effective Modbus/TCP and Modbus/RTU interface capable of providing discrete control and monitoring of a 777 Plus Series overload relay/power monitor over a network. This device can also be used as a stand-alone device in MCC or enclosed starter applications. The CIO-EN is designed to provide the following benefits in both new and existing installations:

- reduced field wiring
- greater operator efficiency
- ease in system startup and commissioning

The CIO-EN is an I/O module that provides four (4) digital inputs and two (2) AC/DC rated relay outputs. It can be DIN rail mounted or mounted directly to a back panel. The CIO-EN's compact size, ease of wiring and Modbus communications capability makes the use of traditional discrete devices on Modbus cost effective and simple. The CIO-EN Module is compatible with SymCom's Model 777 Plus Series power monitors/overload relays. It simply connects to the side of the 777 Plus Series unit and, in addition to the extended I/O functions, permits remote monitoring and control of the 777 Plus Series unit over an Ethernet/RS-485 network. An additional remote reset input is available on the CIO-EN to reset a connected 777 Plus Series unit.

The CIO-EN also possesses a Modbus message assembly feature. The user can configure a block of registers for periodic block reads which minimizes the memory requirements in the scanning device, PLC or SCADA system. It also simplifies the software because all of the data brought back in the device poll is used.

The CIO-EN Module is 10Base-T Ethernet compatible, meaning it is capable of transmitting data at a maximum rate of 10 Megabits/second. TCP/IP Protocols supported by the CIO-EN include:

- Modbus/TCP
- HTTP for an embedded webpage
- FTP for data logging
- ICMP (ping)
- DHCP for automatic IP assignment

The CIO-EN can be re-configured prior to installation to work with the standard (Legacy) 777 power monitor/overload relay using the "CIO-EN/CIO-MB - 777 Configuration Software" tool available at www.symcom.com/downloads. Because the CIO-EN was designed to work seamlessly with the 777 Plus Series, re-configuring the device will cause diminished use of the embedded web page and loss of FTP for data logging capabilities.

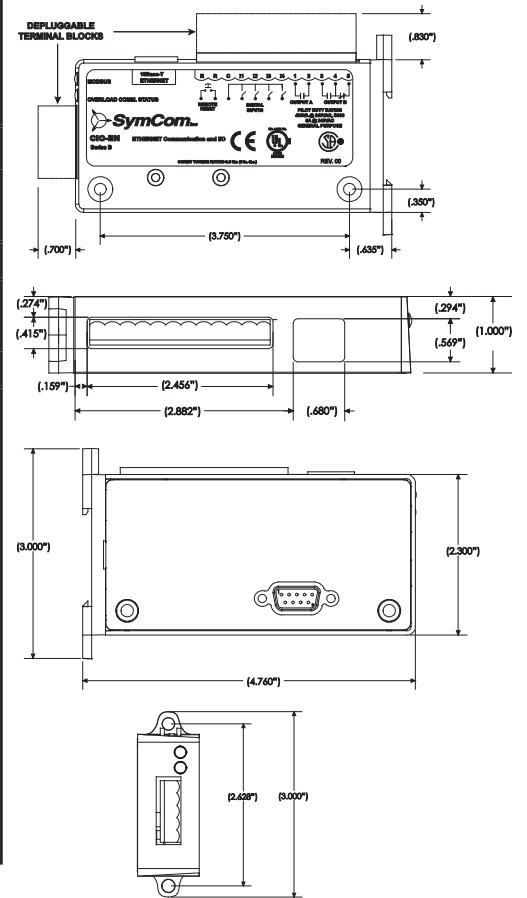
Features:

- Pre-configured to work with the 777 Plus Series power monitor/enhanced overload relays
- Remote I/O capabilities
- Removable terminal strip connections for easier installation
- Four diagnostic LEDs to indicate communication status to network and overload
- UL listed
- CSA approved
- CE compliant
- 5-year warranty
- Made in the USA

Specifications

Functional Specifications	
Remote Reset (for use with optional 777 Plus Series) Power Requirements Voltage Current Power Ethernet Controller Compatibility Capability	Normally open pushbutton rated 24VDC, 10mA (min.) 24VDC (+/- 10%) 95mA (max.) 70mA (typical) 2.28 Watts (max.) 1.7 Watts (typical) IEEE 802.3 10Base-T
Input Characteristics	
General Purpose (4) Voltage Range Current	12-24VDC 2mA (typical)
Output Characteristics	
SPDT (1), SPST (1) Pilot Duty General Purpose	480VA @ 240VAC, B300 5A @ 240VAC
General Characteristics	
Operating Temperature Ambient Operating Ambient Storage Terminal (depluggable terminal block) Torque Wire AWG Class of Protection Relative Humidity Standards Passed Electrostatic Discharge (ESD) Radio Frequency Immunity, Radiated Fast Transient Burst Hi-Potential Test Surge Input Power Inputs/Data Lines Safety Marks UL CSA CE Enclosure Dimensions Weight Mounting Method	-20° to 70°C (-4° to 158°F) -40° to 80°C (-40° to 176°F) 3in.-lbs. (max.) 12-20 AWG IP20, NEMA 1 (finger safe) 10-95%, non-condensing per IEC 68-2-3 IEC 1000-4-2, Level 3, 6kV contact, 8kV air 150 MHz, 10V/m IEC 1000-4-4, Level 3, 4kV input power Meets UL508 (2 x rated V + 1000V for 1 minute) IEC 1000-4-5, Level 1 IEC 1000-4-5, Level 2 UL508 C 22.2 IEC 60947-6-2 Polycarbonate 3.0"H x 1.0"W x 4.76"D 14 oz. #8 screws or DIN rail mountable

Enclosure Dimensions



How to order:

Part Number: CIO-EN



(605) 348.5580 / (800) 843.8848 / Fax (605) 348.5685
customerservice@symcom.com / technicalsupport@symcom.com

Rev. 0210