

**MORSETTIERE PER C.S.  
TERMINAL BLOCKS FOR P.C.B.  
BARRETTES DE CONNEXION POUR C.I.  
ANSCHLUßKLEMMEN FÜR LEITERPLATTE**

TIPO  
TYPE  
TYPE  
TYP

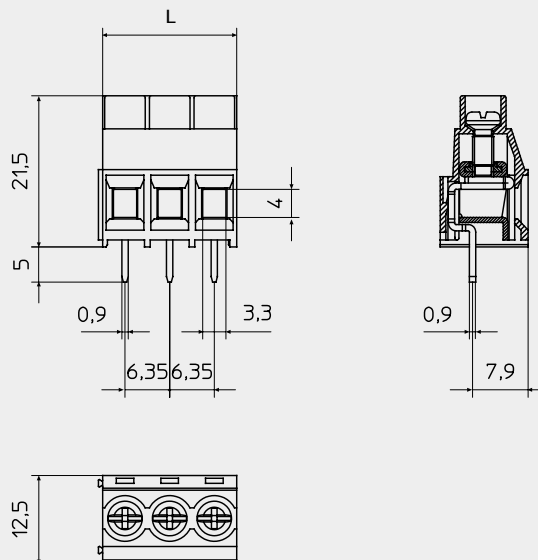
**MRT20**

PASSO  
PITCH  
PAS  
RASTERMAß

**6,35 mm**



MRT20 P6,35/...



P	L mm
6,35	6,35 x p

MODULI COMPONIBILI  
A CARRELLO  
2/3 POLI

RISING CLAMP  
INTERLOCKING MODULES  
2/3 POLES

BORNE ETRIEZ MOBILE  
ELEMENTS MODULAIRES  
2/3 POLES

BEWEGLICHER  
KLEMMKÖRPER  
2/3 POLIG ANREIHBAR



Corpo isolante Verde	Insulating body Green	Corps isolant Vert	Isolierkörper Grün	PA68 UL94VO
Vite	Screw	Vis	Schraube	M3-19MnB4
Morsetto	Clamp	Borne	Klemmkörper	C60+Zn
Contatto	Pin	Contacte	Kontakt	CuZn37+Ni+Sn
Coppia di torsione	Testing torque	Couple de serrage	Zul. Drehmoment	0,5 Nm
Sezione	Section	Section	Querschnitt	4 mm <sup>2</sup> (10-30 AWG)
Vite imperdibile	Captive screw	Vis imperdable	Schraube unvelierbar	-
Foro di montaggio	P.C.B. mounting hole	Perçage C. I.	Leiterplattenbohrung	Ø 1,3 mm
Corrente nominale	Nominal current	Courant nominal	Strombelastbarkeit	32 A (30 A)
Tensione	Voltage	Tension	Betriebsspannung	450 V (300 V)
Temperatura	Temperature	Température	Temperatur	110°C
Grado di protezione	Protection index	Degré de protection	Schutzklasse	IP00
Resistenza di isolamento	Insulation resistance	Résistance d'isolement	Isolationswiderstand	≥ 10 MΩ
Rigidità dielettrica	Dielectric strength	Rigidité diélectrique	Durchschlagsfestigkeit	≥ 2500 Vac/60"

Ref. EN 60998-1 (Ref. UL1059)

**ORDER  
SCHEME**

P	p	Colori	Numerazione
Passo	N° di Poli	Colors	Printing
Pitch	Nr. of Poles	Couleurs	Marquage
Pas	Nb. Pôles	Farbe	Bedruckung
Rastermaß	Polzahl		

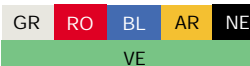
MIN 2÷MAX ...

MRT20

P 6,35

/

...



N ...

To locate additional product specifications and technical drawings go to [www.asi-ez.com](http://www.asi-ez.com)