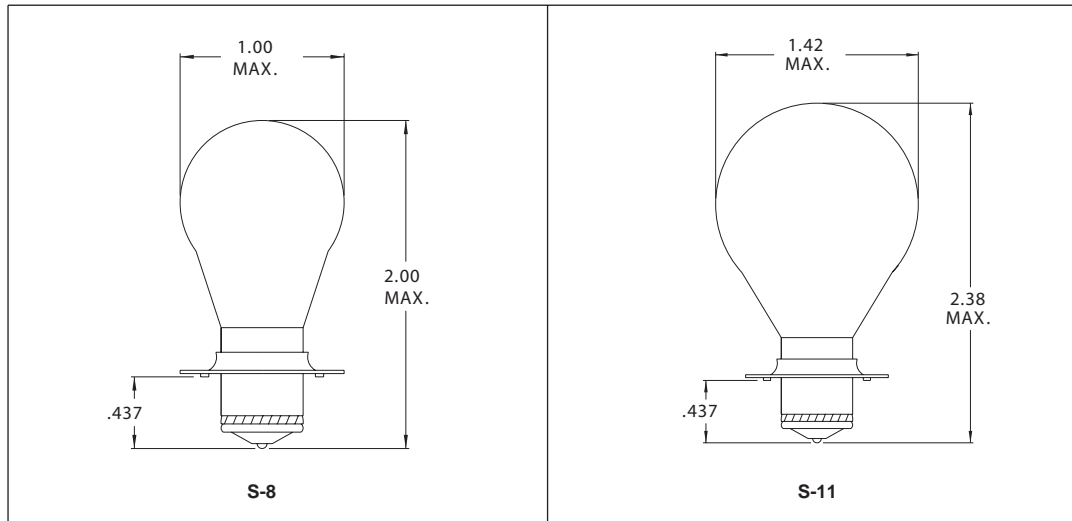




Marine Signal Lamps

DESCRIPTION AND FEATURES



These unique Chicago Miniature Lamps are purpose built for the Marine Industry providing reliable performance in a wide variety of marine beacons. These lamps are manufactured in accordance with the United States Coast Guard, Ocean Engineering specification G-EOE-243B. Filaments and filament supports are specifically designed to meet these rigid specifications.

ELECTRICAL CHARACTERISTICS

Part Number	Size	Design Voltage	Design (A) Current	MSCP	Lumens	Average Life (hrs)	Filament Type
CM6225X	S-8	6.2	.25	.796	10	500	C-8S
CM6246X	S-8	6.2	.46	2.39	30	500	C-8S
CM6292X	S-8	6.2	.92	5.17	65	500	C-8S
CM5034X	S-8	12.0	.25	2.39	30	500	C-8S
CM2374X	S-8	12.0	.55	5.57	70	500	C-8S
CM2033X	S-8	12.0	.77	9.55	120	500	C-8S
CM2032X	S-8	12.0	1.15	14.32	180	500	C-8S
CM8845X	S-8	12.0	2.03	30.23	380	500	C-8S
CM8840X	S-11	12.0	3.05	47.73	600	500	C-8S