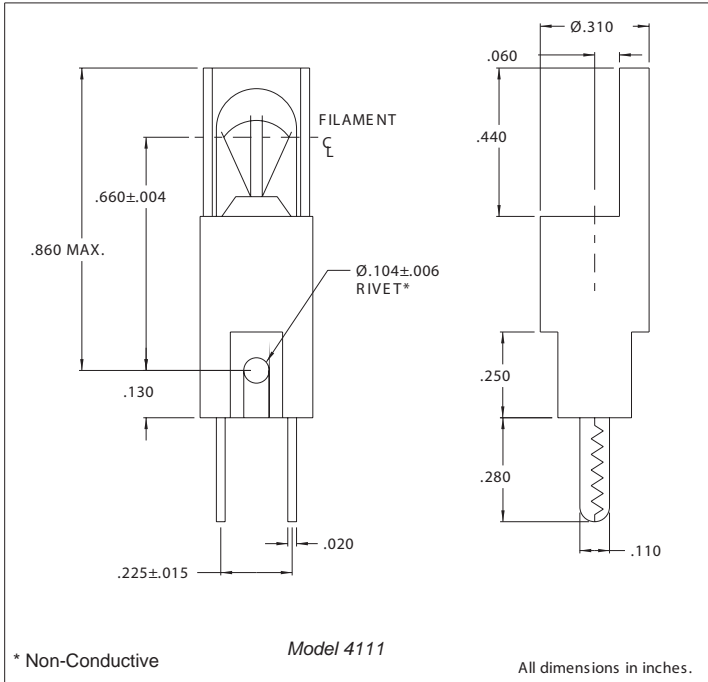




4111 and 4113 Series Relampable Socket

DESCRIPTION AND FEATURES



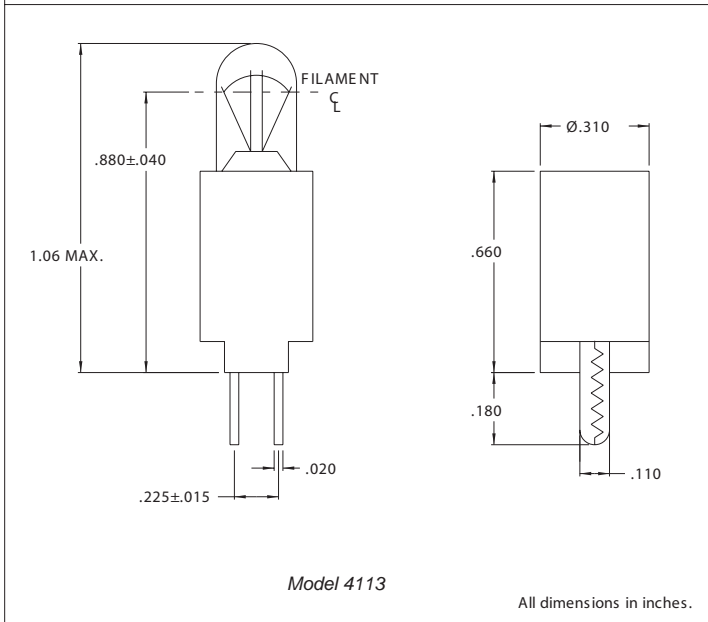
Mounting: Rivet mount.
 (Mount 4111 only.)

Terminals: Tinned brass

Housing: White nylon

Lamp: T-1 3/4 Wedge base

Note: Lamps must be ordered separately.



Chicago Miniature Lamp reserves the right to make specification revisions that enhance the design and/or performance of the product