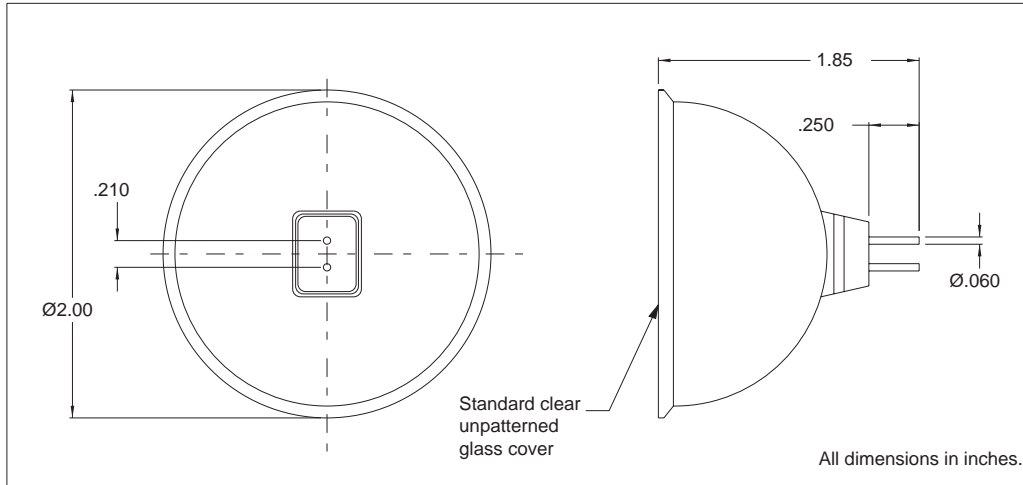




MR-16 Low Voltage Halogen Lamp with Reflector

DESCRIPTION AND FEATURES



ELECTRICAL CHARACTERISTICS

Part No.	Volts	Watts	Beam Angle	Luminous Intensity (Foot Candles)	Life Hours
CM8-A281	6.0	5.00	30° Spot	150	50
ESX/FG	12.0	20.0	12° N Spot	4000	4000
BAB/FG	1.0	20.0	38° Flood	790	4000
FMT/FG	12.0	35.0	12° N Spot	700	4000
FMW/FG	12.0	35.0	38° Flood	1450	4000
EXT/FG	12.0	50.0	12° N Spot	11000	4000
EXZ/FG	12.0	50.0	24° Spot	4200	4000
ENL/FG	12.0	50.0	28° Spot	3600	4000
EXN/FG	12.0	50.0	38° Flood	2250	4000
FNV/FG	12.0	50.0	60° W Flood	950	4000