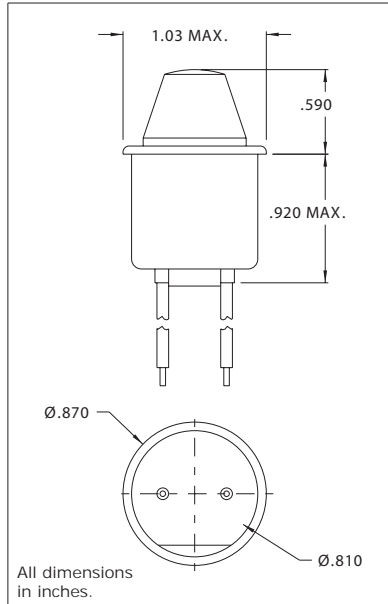




## 2660T Series Non-Relampable Neon Flasher Indicator Lights

### DESCRIPTION AND FEATURES



These neon flashers incorporate a built-in circuit to provide unmistakable indication even in high ambient light environments. Bulb is up into the lens and can be seen from any angle. New solid state construction for instant-on operation.

Mounting: Supplied with push-on speednut SN2089. Mounting hole pattern on page SP2.

Wire Leads: No.22 AWG (105°C), 4.40/4.80 long, stripped .430/.570.

Lens: Polycarbonate

Bezel: Polished stainless steel.  
 For black finish add "X" after the series letter(s).

Housing: White Nylon

Neon	
Lens Color	Model No. (105-125VAC)
Red	2660T1
Amber	2660T3

Note: Flashing rate 60 to 150 per minute.