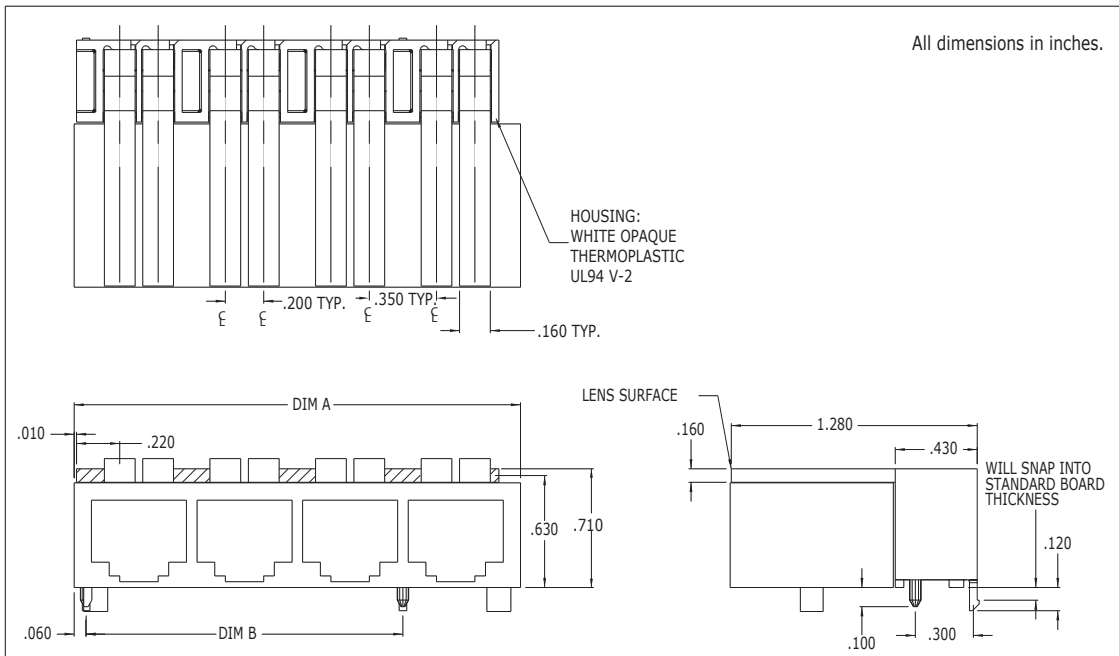


7102P/R Series Bright★Pipes™ Optical Lightpipes for RJ-Style Jacks

Description and Features



- Precision engineered with **ray tracing** for bright, optically precise even indication and attractive appearance.
- ESD protection from circuitry for exceptional reliability.
- Optimized for use with Bright★Chips™ SMT LEDs.
- High contrast and wide viewing angle for greater visibility.
- Parts inserted after reflow to permit LED pad inspection before assembly.
- Two lightpipes per port.
- 7102P features large square lens (.16"x.16") for high visibility.
- 7102R features low profile (.16"x.07"h) rectangular lens ideal for height-constrained applications.

Model	Mounting	Ports	DIM A	DIM B
7102P1/7102R1	M or T	1	.550	-
7102P2/7102R2	M or T	2	1.10	.550
7102P3/7102R3	M or T	3	1.65	1.10
7102P4/7102R4	M or T	4	2.20	1.65
7102P5/7102R5	M or T	5	2.75	2.20
7102P6/7102R6	M or T	6	3.30	2.75
7101P7/7102R7	M or T	7	3.85	3.30
7101P8/7102R8	M or T	8	4.40	3.85

Refer to "Mounting Hole Pattern 3.pdf"

PORTS	DIM A	DIM B	DIM C	DIM D	DIM E	DIM F	DIM G
1	.55	-	N.A.	.175	N.A.	N.A.	N.A.
2	1.10	1.000	.550	.175	.550	N.A.	N.A.
3	1.65	1.550	1.100	.175	1.100	N.A.	N.A.
4	2.20	2.100	1.650	.175	1.650	N.A.	N.A.
5	2.75	2.650	2.200	.175	1.650	N.A.	N.A.
6	3.30	3.200	2.750	N.A.	N.A.	.925	1.650
7	3.85	3.750	3.300	N.A.	N.A.	.925	1.650
8	4.40	4.300	3.850	N.A.	N.A.	.925	1.650