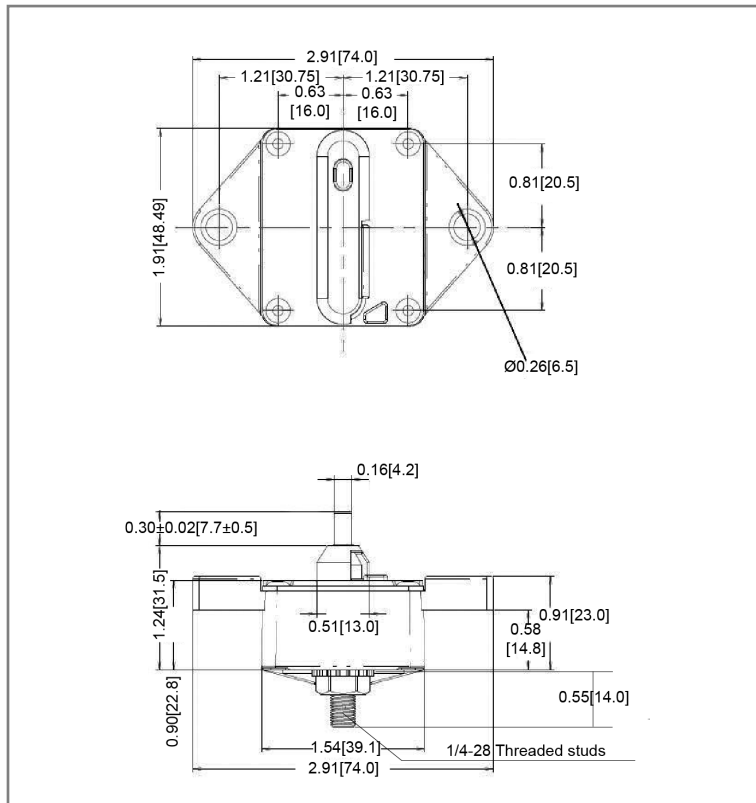


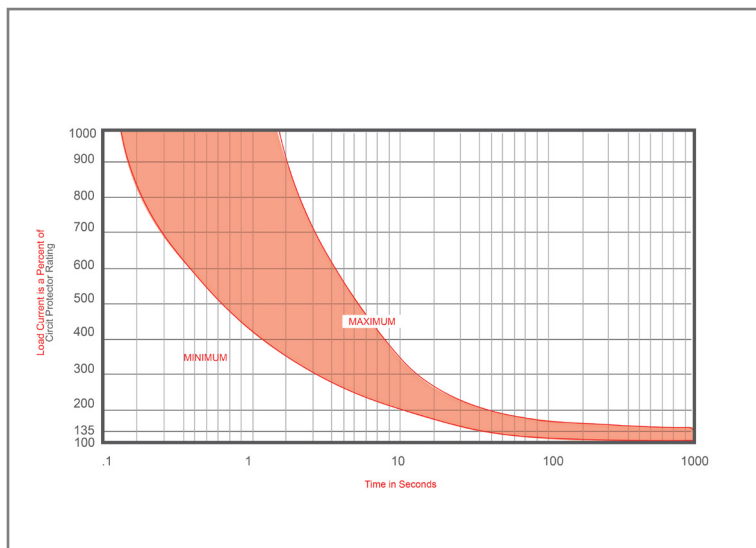
Mechanical Dimensions: Inches [mm]



Part Numbers Information

Optifuse P/N	Current
143025	25A
143030	30A
143040	40A
143050	50A
143060	60A
143070	70A
143080	80A
143090	90A
143100	100A
143120	120A
143135	135A
143150	150A
143180	180A
143200	200A

Time vs. Percent of Rated Current



% of Rated Current	Min Hold Time	Max Hold Time
100%	No Trip (≥ 30 Minutes)	
135%	50s	30m
200%	12s	45s
300%	3.5s	15s

Trip time: Ambient temperature 25°C ± 3°C

Electrical Specifications

Voltage Rating	42VDC (25A-100A)
Reset Type	Type III - Manual Reset
Interrupting Rating	3000A @ 30VDC
Operation Temperature	-25° F ~ 180° F
Compliances	SAE J1625, SAE J1171, IEC 60934

Material Specifications

High Amp - Waterproof Circuit Breaker	
Body Material	Thermoset Plastic (UL94V-0)
Terminals Configuration	1/4"-28 Stud
Mounting Type	Panel Mount
IP67	

Rev **Date of issue** **Revision Notes**

Designed **Approved**

A	06-29-2020	Initial Drawing	RC	OF
---	------------	-----------------	----	----