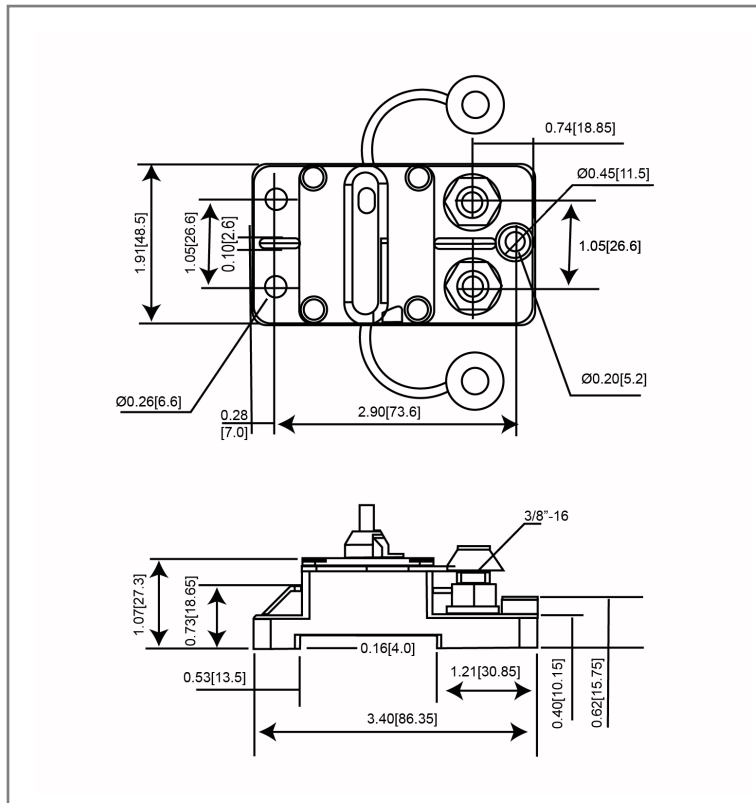


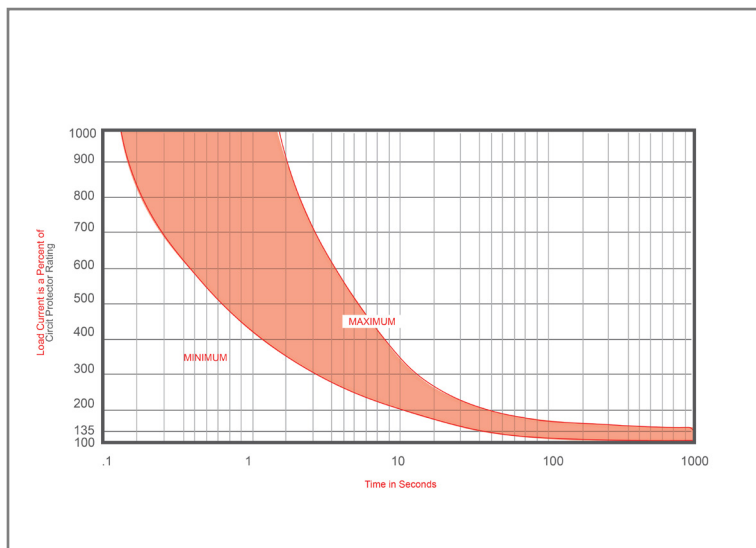
Mechanical Dimensions: Inches [mm]



Part Numbers Information

Optifuse P/N	Current
553025	25A
553030	30A
553040	40A
553050	50A
553060	60A
553070	70A
553080	80A
553090	90A
553100	100A
553120	120A
553135	135A
553140	140A
553150	150A
553175	175A
553200	200A
553250	250A
553300	300A

Time vs. Percent of Rated Current



% of Rated Current	Min Hold Time	Max Hold Time
100%	No Trip (≥ 30 Minutes)	
135%	50s	30m
200%	12s	45s
300%	3.5s	15s

Trip time: Ambient temperature 25°C ± 3°C

Electrical Specifications

Voltage Rating	48VDC
Reset Type	Type III - Manual Reset
Interrupting Rating	3000A @ 30VDC (25A-150A), 1500A @ 30VDC (175A-300A)
Operation Temperature	-25° F ~ 180° F
Compliances	SAE J1625, SAE J1171, ABYC-E11, UL1077

Material Specifications

In-Line Heavy Duty High Amp - Waterproof Circuit Breaker	
Body Material	Thermoset Plastic (UL94V-0)
Terminals Configuration	3/8"-16 Stud
Mounting Type	Surface Mount
IP67	



Rev	Date of issue	Revision Notes	Designed	Approved
A	06-29-2020	Initial Drawing	RC	OF