

# Type BLC-08-2

## Fuse Block

### MGGA Limiter Fuses – 2 Fuses

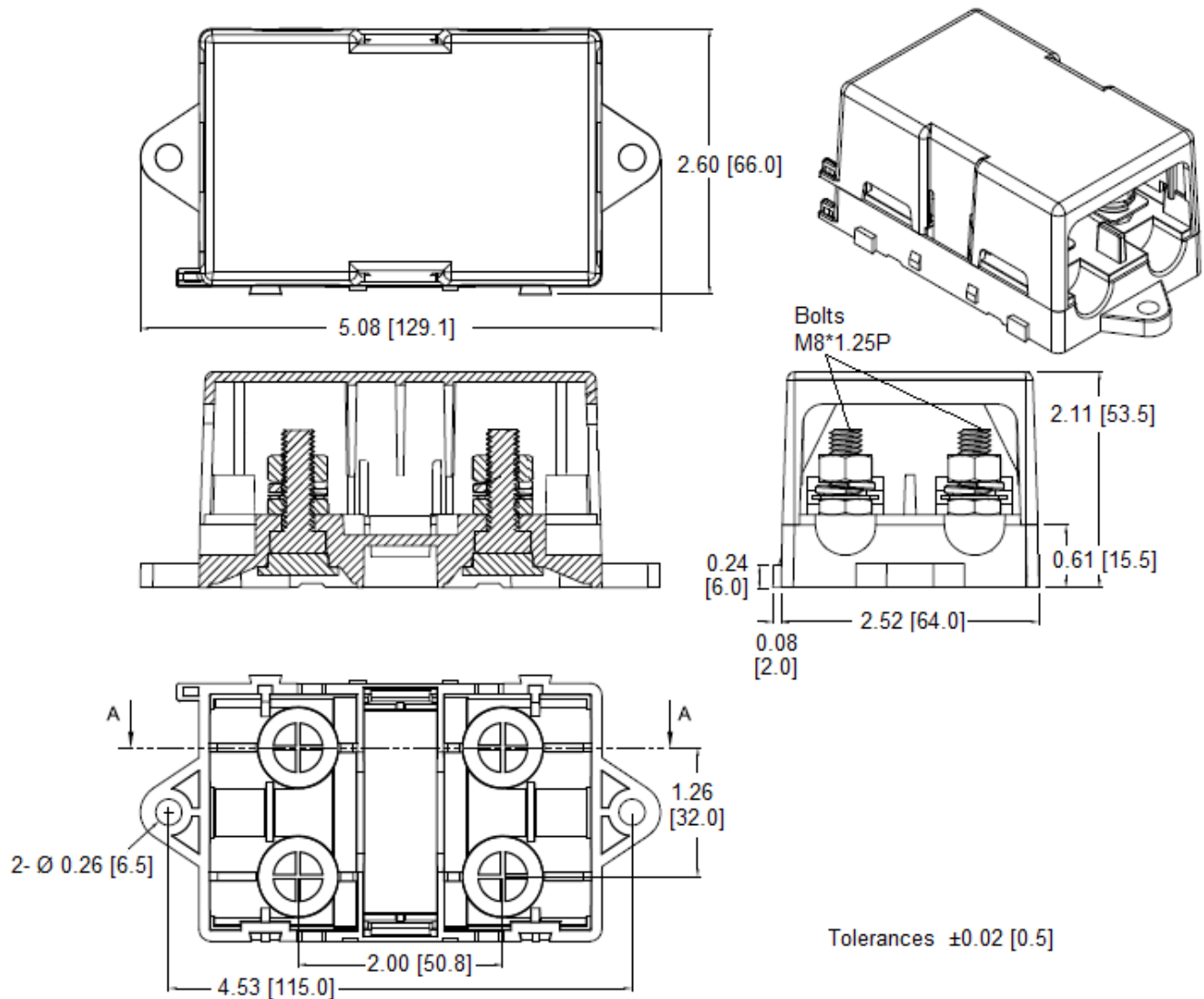


www.optifuse.com (619) 593-5050

**Specifications:**

- Voltage Rating:** 32VDC
- Max Current Rating:** 400A
- Fuse Type:** MGGA Limiter, Bolt-on Fuses
- Housing:** PBT, Black
- Cover:** Nylon 66, Black
- Studs:** Steel M8, nickel plated

**Mechanical Dimensions: Inches [mm]**



	<p><b>Warning:</b> -Operation beyond the specified maximum ratings or improper use may result in damage and possible electrical arcing and/or flame.</p>
	<p>-Avoid contact of device with chemical solvent. Prolonged contact may damage the device performance.</p>