

# Type BLC-09-GT Fuse Block ANE / ANF Limiter Fuses



www.optifuse.com (619) 593-5050

## Specifications:

**Voltage Rating:** 125 VAC, 80 VDC  
**Max Current Rating:** 500A  
**Fuse Type:** ANE / ANF Limiter Fuse  
**Insulation Resistance @ 500V DC:** 100M $\Omega$

Min.

**Base:** Polyester Impact/Electrical - Black with Mineral and Glass Fiber Added.  
 ULR Certification number E40654  
**Terminals:** Low Carbon Steel, Zinc Finish

## Hardware Specifications

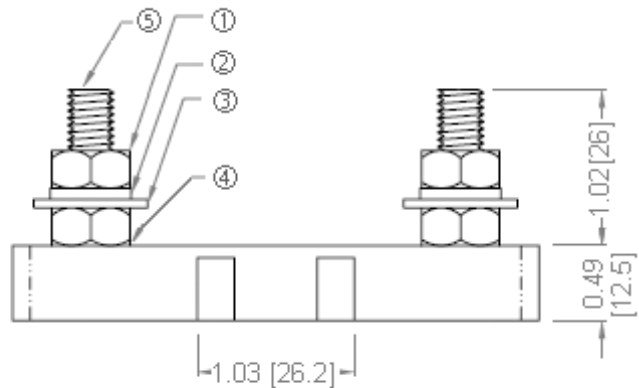
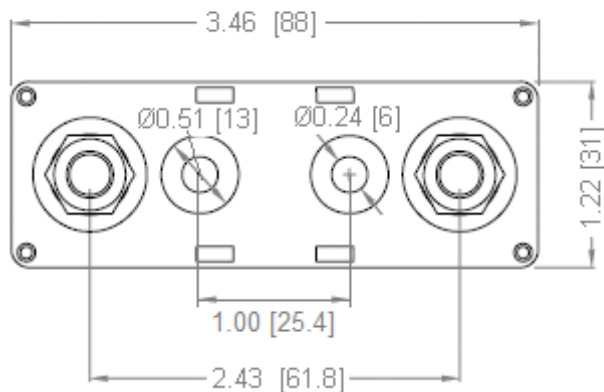
Item	Qty	Description
1	2	Nut, Nylock 5/16-24UNF
2	1	Lock Washer, 5/16
3	2	Washer, 5/16 SAE
4	2	Nut, Hex, Normal, 5/16-24UNF
5	2	Bolt, hex cap, 5/16-24 UNF x 1.25

## Tightening Torques Stainless & ASTM Steels is metric thread:

Bolts M8, Pitch: 1.25 14.2 N/mm<sup>2</sup> 8823N

**For Cover:** See BLC-09-GTC

## Mechanical Dimensions: Inches [mm]



### Warning:



-Operation beyond the specified maximum ratings or improper use may result in damage and possible electrical arcing and/or flame.

-Avoid contact of device with chemical solvent. Prolonged contact may damage the device performance.