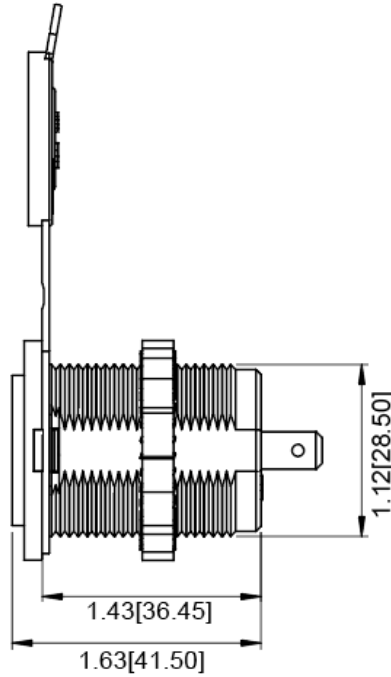
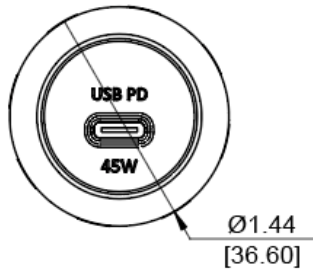
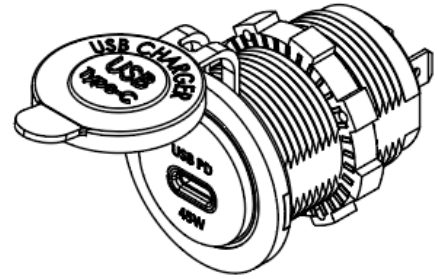
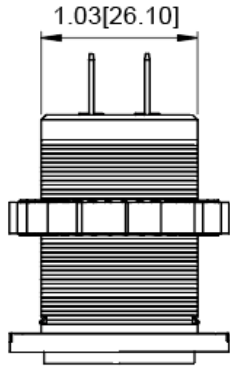
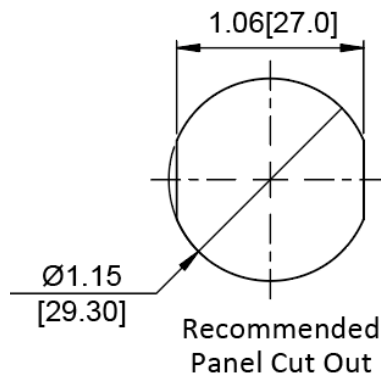


Mechanical Dimensions: Inches [mm]

Tolerances ± 0.012 [0.3] Unless Otherwise Specified



Mounting Hole



Electrical Specifications

Input Rating	12/24V
Output Rating (12VDC Input)	Type C PD output: 5V-12V: 36W max
Output Rating (24VDC Input)	Type C PD output: 5V-20V: 45W max
PD (Power Delivery) USB-C	
Includes OVP, OCP, OTP, SCP, and RPP	

Material Specifications

Smart LED Indicator:	Blue for 5V charging, orange for PD fast charging
Ingress Protection	IP65 (When not in use and cap is securely closed)

Rev	Date of issue	Revision Notes	Designed	Approved
E	05-08-2025	Updated Electrical Specifications	RC	OF