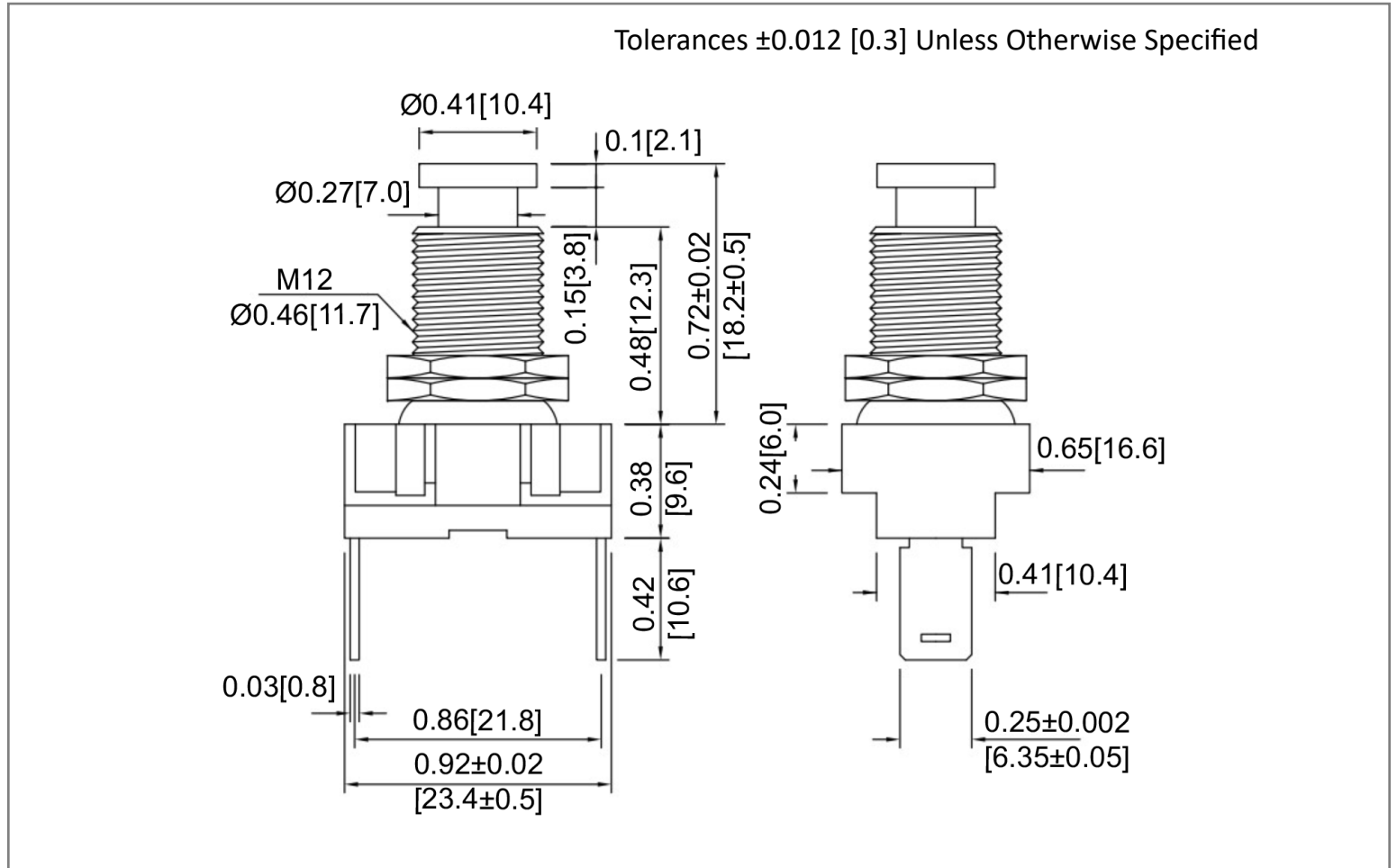
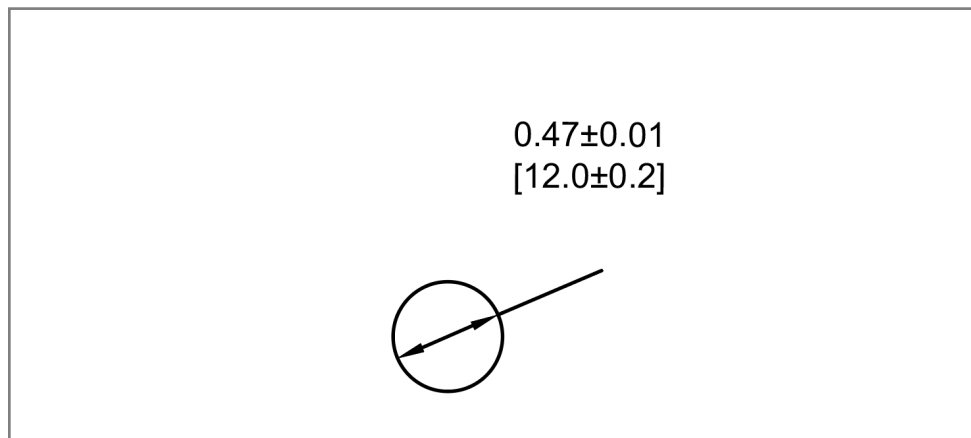


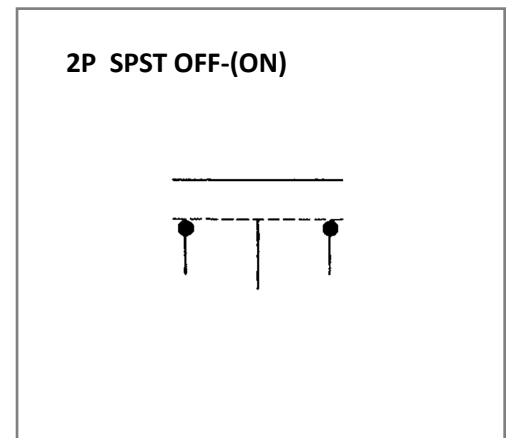
Mechanical Dimensions: Inches [mm]



Mounting Hole



Circuit Diagram



Electrical Specifications

Rating	15A 120VAC, 10A 250VAC

Material Specifications

Button Color	Red

Rev **Date of issue** **Revision Notes**

Designed **Approved**

B	11-18-2024	Added Material Specifications	RC	OF
---	------------	-------------------------------	----	----