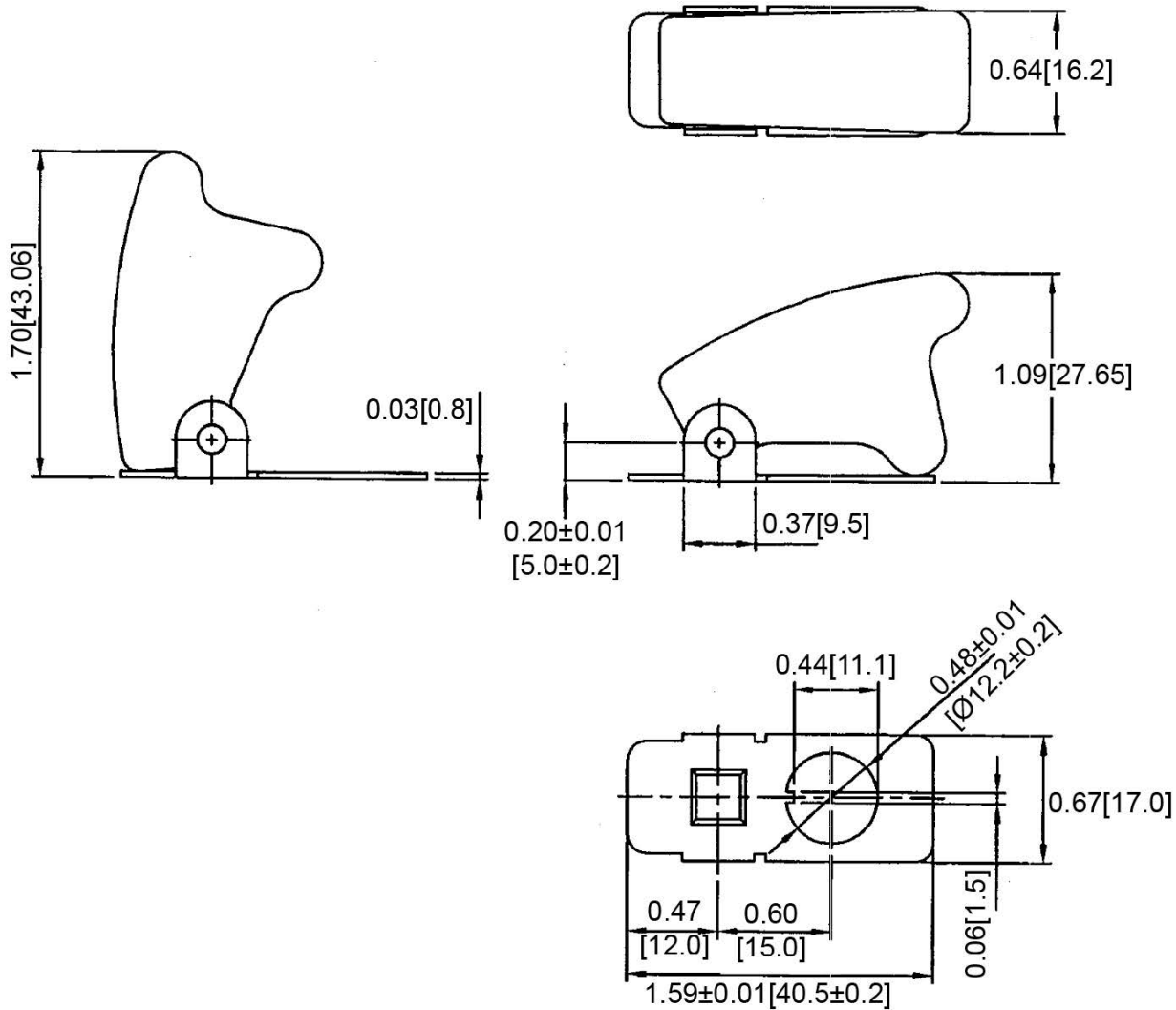


Mechanical Dimensions: Inches [mm]

Tolerances ± 0.012 [0.3] Unless Otherwise Specified



Keyway is opposite

Material Specifications

Face plate	Steel, Black glossy finish	Regular Keyway available. See SC-R
Spring-based switch	Red, ABS	Cover Material
Mounting hole diameter	12.2mm (0.481")	ABS (UL94 HB)
Applicable switch	Standard 12.0 mm or 15/32" diameter mounting stems	
Applicable switch handles	Standard 17.5 mm (11/16")	

Rev	Date of issue	Revision Notes	Designed	Approved
C	06-18-2025	Initial Drawing	RC	OF