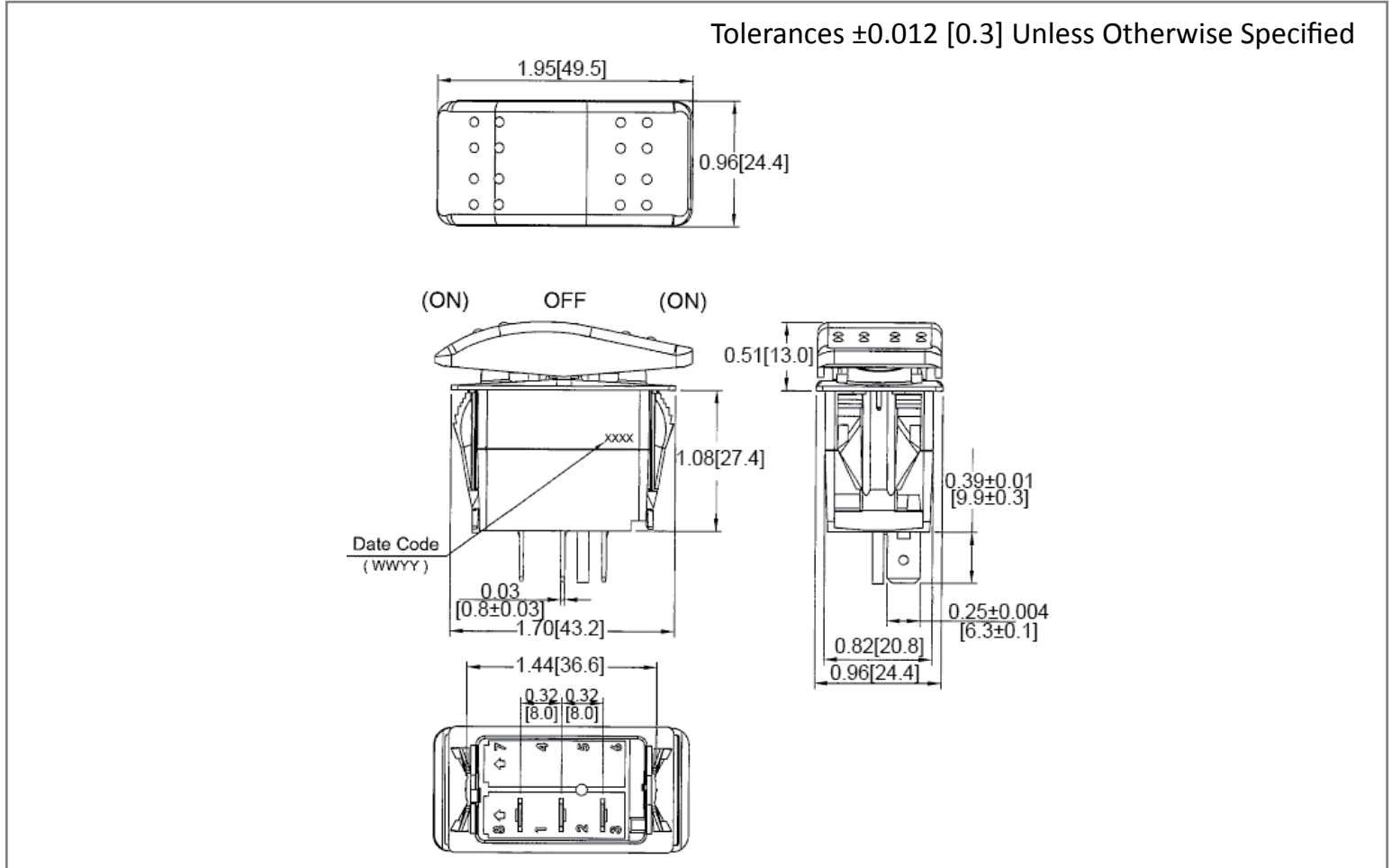
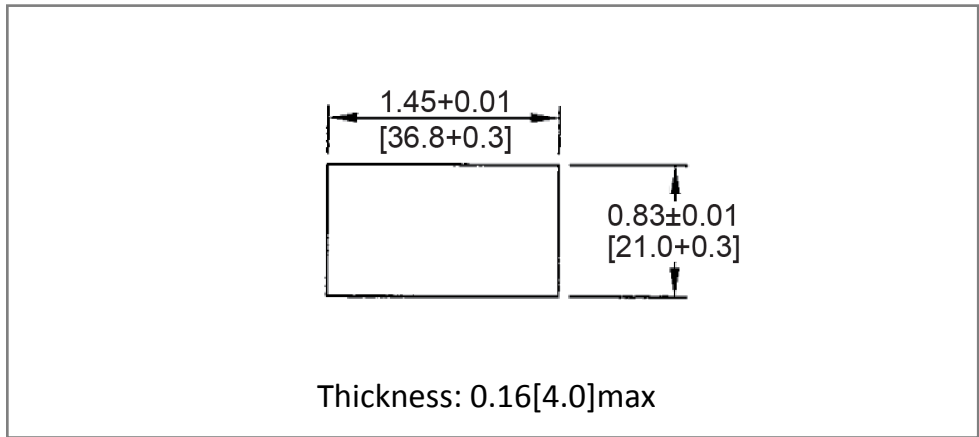


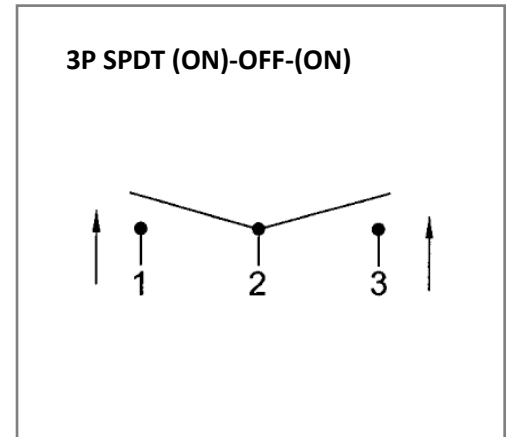
Mechanical Dimensions: Inches [mm]



Mounting Hol



Circuit Diagram



Electrical Specifi ation

DC Rating	21A 14V DC; 15A 28V DC
AC Rating	20A 125V AC, 10A 250V AC
Contact Resistance	50m ohm Max
Insulation esistance	DC 500V 100M ohm Min
Dielectric Strength	AC 1500V 1 minute
Operation emperature	-25°C~85°C

Material Specifi ation

Frame	Black, Nylon 66 (94V-2)
Actuator	Black, Nylon 66 (94V-2)
Terminals	Silver plated copper
Ingress Protection	IP67
* Ingress protection rating is only applicable to the top part of the switch that is located outside of the panel.	

Rev	Date of issue	Revision Notes	Designed	Approved
D	11-10-2025	Added additional ratings	RC	OF