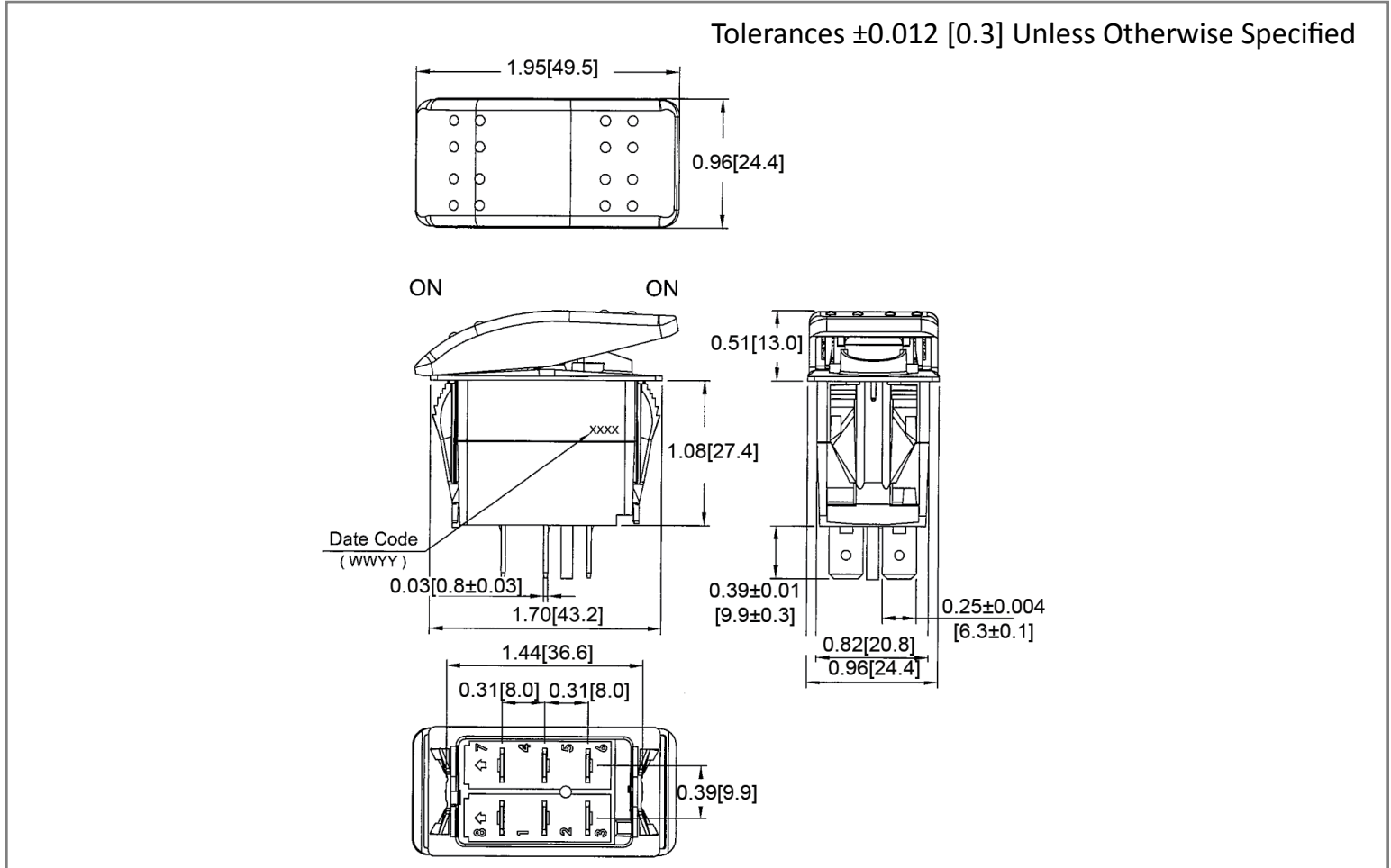
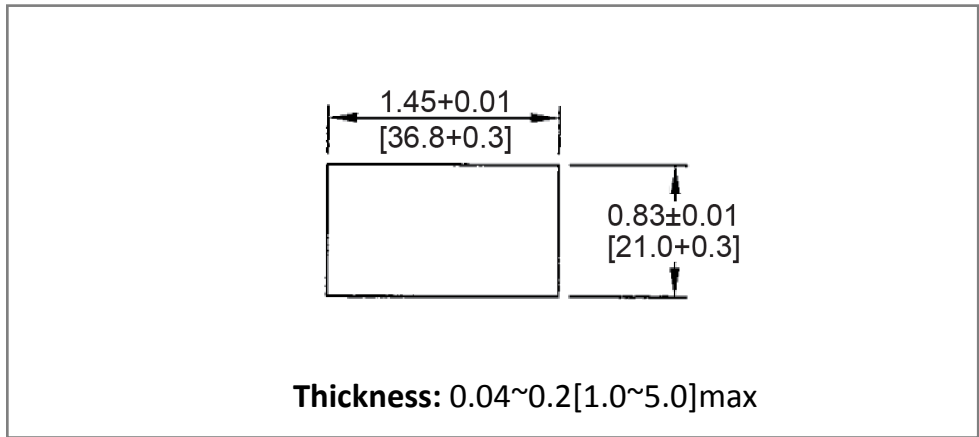


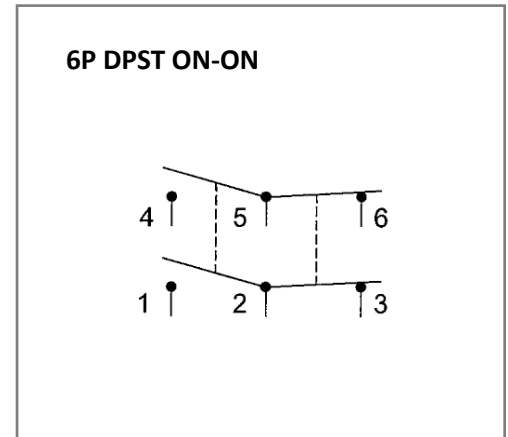
Mechanical Dimensions: Inches [mm]



Mounting Hole



Circuit Diagram



Electrical Specifications

| | |
|-----------------------|--------------------------|
| DC Rating | 21A 14V DC; 15A 28V DC |
| AC Rating | 20A 125V AC, 10A 250V AC |
| Contact Resistance | 50m ohm Max |
| Insulation Resistance | DC 500V 100M ohm Min |
| Dielectric Strength | AC 1500V 1 minute |
| Operation Temperature | -25°C~85°C |

Material Specifications

| | |
|--------------------|-------------------------|
| Frame | Black, Nylon 66 (94V-2) |
| Actuator | Black, Nylon 66 (94V-2) |
| Terminals | Silver plated copper |
| Ingress Protection | IP67 |

| Rev | Date of issue | Revision Notes | Designed | Approved |
|-----|---------------|--------------------------|----------|----------|
| C | 11-10-2025 | Added additional ratings | RC | OF |