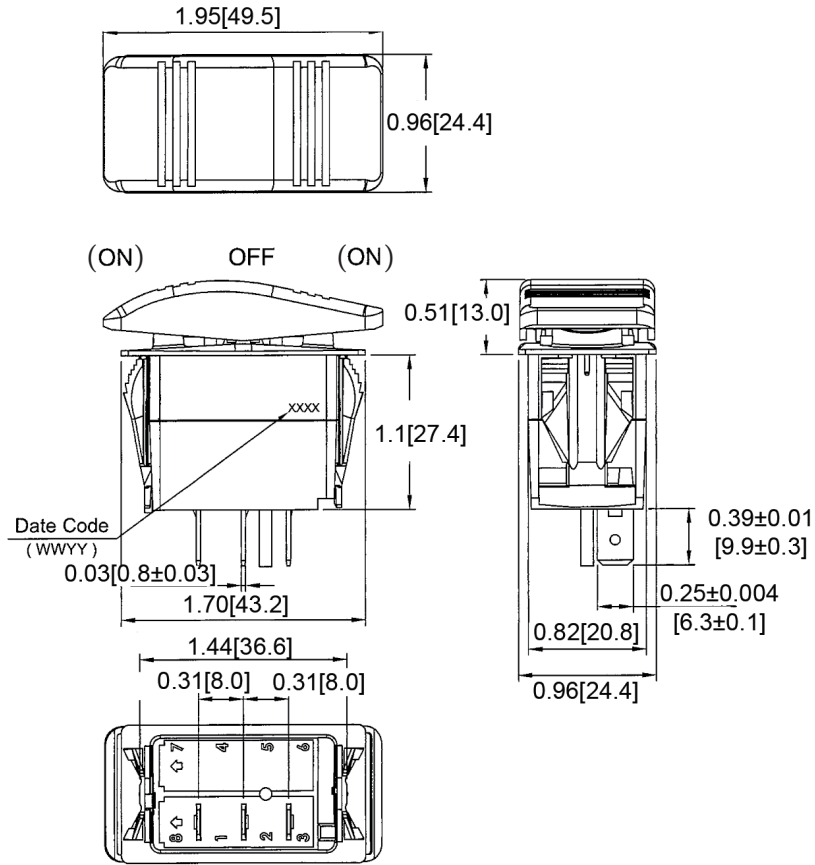
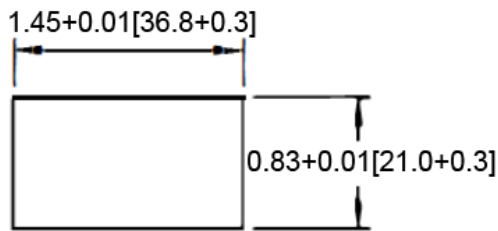


Mechanical Dimensions: Inches [mm]

Tolerances ± 0.012 [0.3] Unless Otherwise Specified



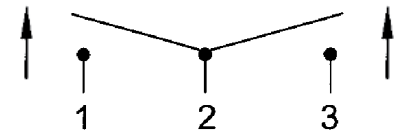
Mounting Hole



Thickness: 0.04-0.20 [1.0-5.0] max

Circuit Diagram

3P SPDT (ON)-OFF-(ON)



Electrical Specifications

DC Rating	21A 14V DC; 15A 28V DC
AC Rating	20A 125V AC, 10A 250V AC
Contact Resistance	50m ohm Max.
Insulation Resistance	DC 500V 100M ohm Min.
Dielectric Strength	AC 1500V 1 minute
Operation Temperature	-25°C~85°C

Material Specifications

Frame Actuator	Black, Nylon 66 (94V-2)
Terminals	Silver Plated Copper
Ingress Protection	IP67

Rev	Date of issue	Revision Notes	Designed	Approved
C	11-10-2025	Added additional ratings	RC	OF