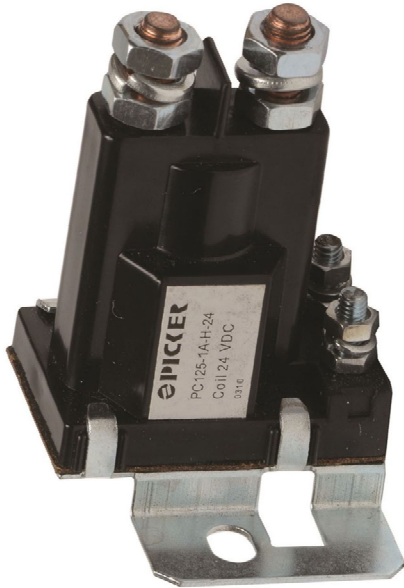


100 Amp D.C. Power Contactor

PC120



FEATURES

- Direct Insert Mounting
- Contact Switching Capacity up to 400 Amps
- Internal Resistors Available
- RoHS Compliant
- Compatible with White Rogers/Stancor 120-9xx Series
- UL94-VO Rated Case Material

Cross Reference

Stancor	Picker
120-901	PC120-901
120-902	PC120-902
120-903	PC120-903
120-904	PC120-904
120-905	PC120-905

Part Number	Duty Cycle	Terminal Type	Pole Form	Bracket Style	Coil Voltage D.C.*	Coil Resistance (Ohms) @ 25°C	Contact Material	Contact Rating (Amps) Inductive Load			Dimensions Inches			Weight (Oz)
								Volt D.C.	Normally Open		Case			
									Continuous	Inrush	L	W	H	
PC120-901	Continuous	4	SPNO	Standard	12	16.0	Silver Alloy	12	100	400	2.125	2.875	3.253	6.0
PC120-902	Continuous	4	SPNO	Standard	15	20.8	Silver Alloy	15	100	400	2.125	2.875	3.253	6.0
PC120-903	Continuous	4	SPNO	Standard	18	37.0	Silver Alloy	18	100	400	2.125	2.875	3.253	6.0
PC120-904	Continuous	4	SPNO	Standard	24	64.0	Silver Alloy	24	100	400	2.125	2.875	3.253	6.0
PC120-905	Continuous	4	SPNO	Standard	36	160.0	Silver Alloy	36	100	400	2.125	2.875	3.253	6.0

*Coil Voltages 6, 14, 48 are available as special order.

CONTACT DATA

Volts (VDC)	Continuous (A)	Inrush (A)	Electric Life	Contact Material
12	80	400	1 X 10 ⁴	Copper
12	100	400	5 X 10 ⁴	Silver Alloy
24	100	400	5 X 10 ⁴	Silver Alloy
36	100	400	2.5 X 10 ⁴	Silver Alloy

ORDERING INFORMATION

Example:	PC120	-901	-Z	H	-22	-C	388
Model:	PC120-9xx						
Coil Voltage:	01: 12; 02: 15; 03: 18; 04: 24; 05: 36 VDC						
Mounting Bracket Plating:	Nil: Bare Metal, Z: Zinc Plater						
Hardware:	Nil: Hardware Included						
Coil Terminal Length:	Nil: .451"; 22: .22"						
Contact Material:	Nil: AgCdO;						
Contact Termination:	Nil: .495"; 388: .388"						

DESIGN DATA

D.C. Type	Coil Rating	Operation in % of Nominal Coil Rating		Breakdown Voltages All Terminals—60 Hz RMS			Contact Material	Electrical Life		Mechanical life		Ambient °F Max
	Nominal Magnetic Coil Rating (Watts)	Pick-up	Max. State Operate	Opposite Polarity VDC	Open Contacts Same Polarity VDC	To Ground VDC	Power	Operations at Rated Load	Operations per Minute	Operations at No Load	Operations per Minute	
120	8.1	75%	110%	500	500	500	Copper	10,000	2	100,000	30	150
120	8.1	75%	110%	500	500	500	Silver Alloy	50,000	2	100,000	30	150

Power (Approximate)

- Continuous 8.1 Watts

TerminationsStandard:

- Contacts: 5/16 - 24 studs, .495" min Length, UNF - 2A Thread

- Coil: #10-32, .451" min Length - 2A Thread

Optional:

- Contacts: 5/16 - 24 studs, .495" min Length

- Coil: #10-32, .451" min Length

Hardware Torque Specifications

Contact Terminal*: 45 - 55 inch-lbs

Coil Terminal*: 12 - 18 inch-lbs

* Note: a back up wrench must be used to hold the bottom nut stationary

Temperature Range

- Continuous Duty: -20°F to 120°F

Recommended Mounting

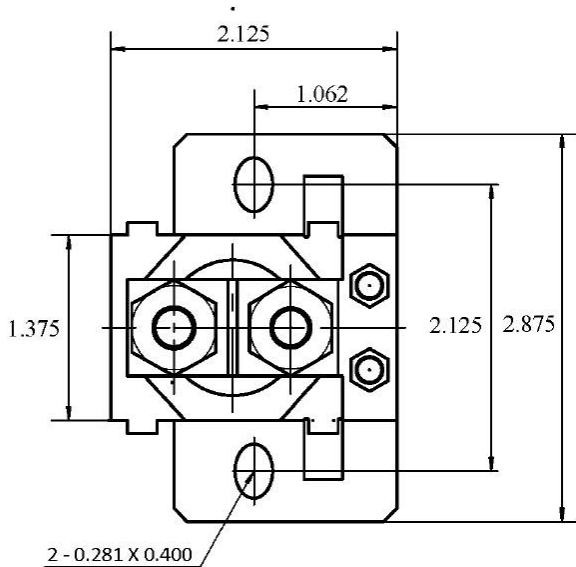
- Coil Terminals Up or Horizontal

COIL DATA

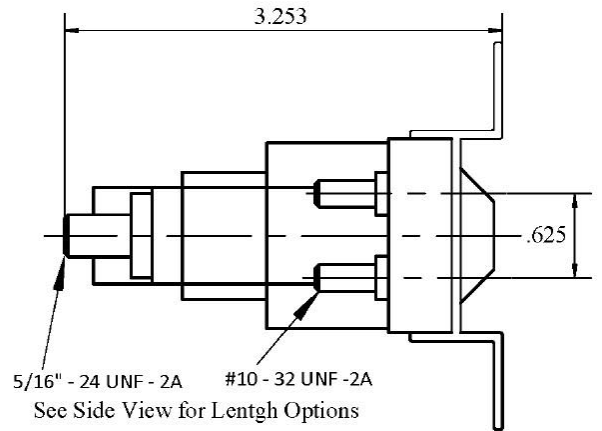
Coil Voltage (VDC)		Coil Power (mW)	Operate Voltage (VDC)	
		Resistance (Ohms ± 10%)		
Rated	Max	8.1 W Continuous	Intermittent	Continuous
6	6.9	4.0	4.02	4.5
12	13.2	16.0	8.04	9.0
14	15.4	23.0	9.38	10.5
15	16.5	26.0	10.05	11.25
24	26.4	64.0	16.08	18.0
36	39.6	160.0	24.12	27.0
48	52.8	256.0	32.16	36.0

*Special coils available upon request

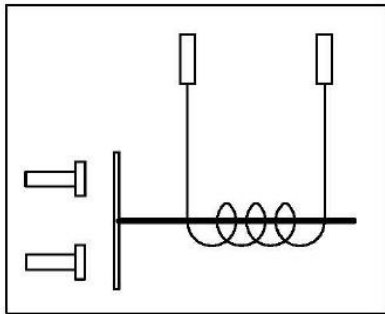
TERMINAL TYPE 4



Relay (Top View)

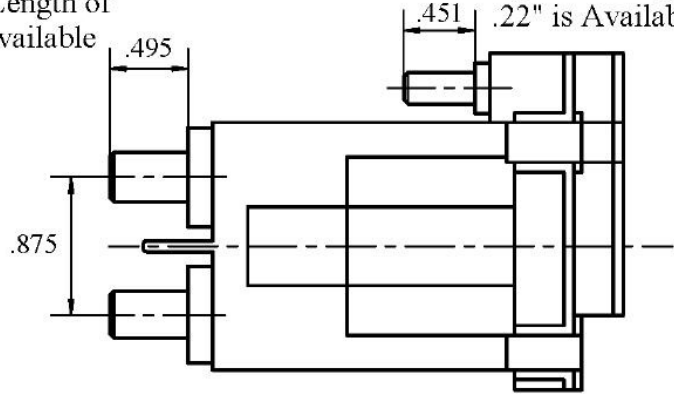


Relay (Front View)



Wire Diagram 1A

Optional Length of .388\"/>



Relay (Side View)