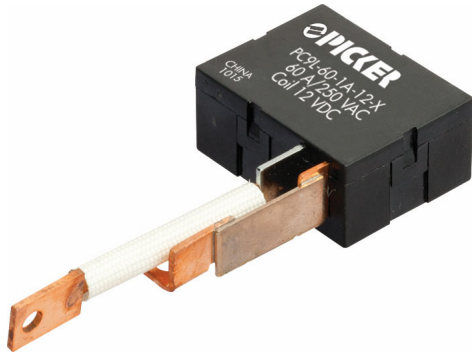


60 Amp Latching PCB Relay

PC9L-60



FEATURES

- Latching Relay
- 60 Amp Switching Capacity
- Low Coil Consumption
- Ultra-Low Temperature Rise
- Low Contact Resistance
- Strong Anti-Shock and Anti-Vibration Capability
- Customized Terminals Available:
Shunts, Braided Copper Wire, Brass Terminal, etc.
- 1,200 Amp Overload Current Carrying Capacity
- RoHS Compliant

UL / CUL Ratings



Load Type	Voltage	1 Form A & 1 Form B
General Purpose	250 VAC	60 A

CHARACTERISTICS

Operate Time	≤ 20 ms
Release Time	≤ 20 ms
Insulation Resistance	1,000 MΩ min at 500 VDC
Dielectric Strength	4,000 V 1 min. Between Coil and Contact 1,500 V 1 min. Between Contacts
Shock Resistance	100 m/s ² (10 g) Functional 1,000 m/s ² (100 g) Destructive
Vibration Resistance	10 - 55 Hz Double Amplitude 1.5 mm
Relative Humidity	98% at 40°C
Power Consumption	Single Coil 1.0 W; Double Coil 2 X 2.0 W

CONTACT DATA

Maximum Switching Power	15,000 VA	
Maximum Switching Voltage	250 VAC	
Maximum Switching Current	60 A	
Material	AgSnO ₂	
Contact Resistance	≤ 2.0 mΩ Initial	
Pulse Duration	60 ms	
Action Time	≤ 20 ms	
Service Life	Mechanical	5 X 10 ⁵ Operations
	Electrical	1 X 10 ⁴ Operations

CHARACTERISTICS Continued

Operating Temperature	- 40 to 70°C
Storage Temperature	- 40 to 125°C
Weight	38 g

ORDERING INFORMATION

Example:	PC9L-60	-1A	-12	D	-9S
Model:	PC9L-60				
Contact Form*:	1A, 1B				
Coil Voltage**:	9, 12, 24, 48				
Enclosure:	Nil: Dust Cover				
Coil:	Nil: Single Coil 1 W; D: Double Coil 2 x 2W				
RoHS Compliant:	Nil: RoHS Compliant				
Configuration Information:	Nil: 9mm Contact Pins, 1 at a right Angle (Dwg 1) 9S: 9mm Contact Pins, Both Straight (Dwg 2)				

* 1B Signifies the relay is in the Reset Status

** Other Coil Voltages Available

Box Quantity for Standard Output Pins: ?? ; Inner Box ?

COIL DATA

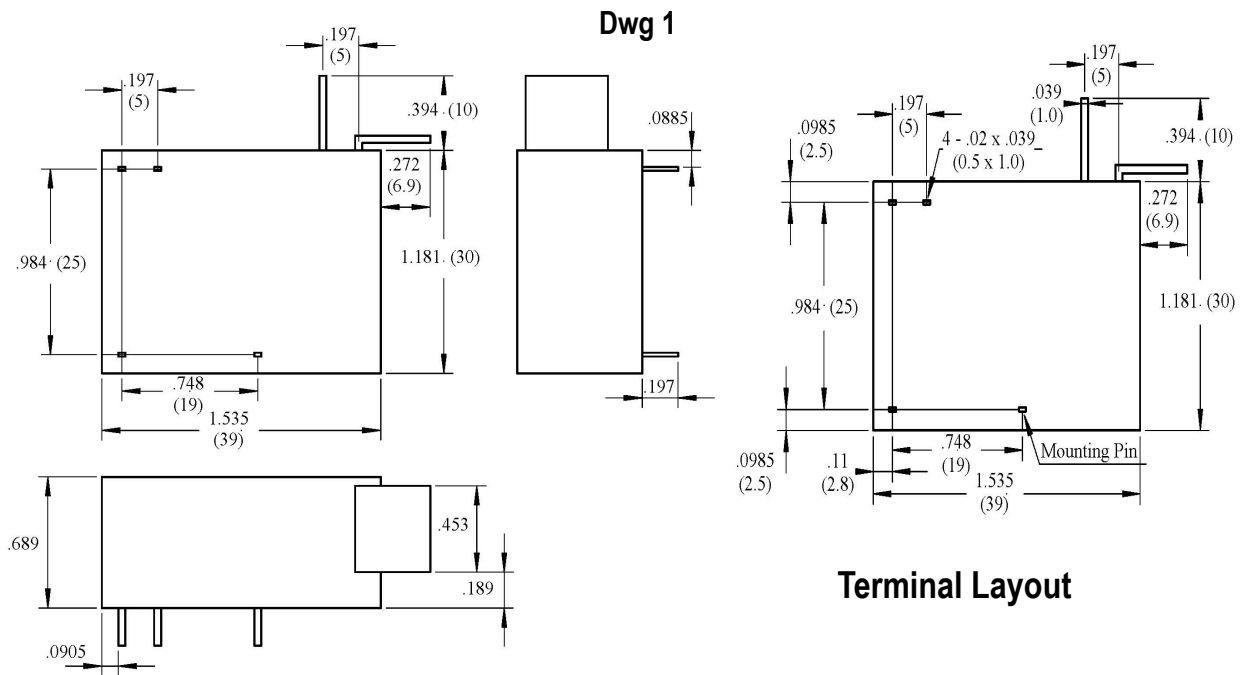
Coil Voltage		Coil Resistance		Must Operate Voltage Max (VDC)
		(Ohms ± 10%)		
Rated	Maximum	Single Coil 1.0 Watts	Dual Coil 2 x 2.0 Watts	
9	13.5	81	2 x 40.5	6.8
12	18.0	144	2 x 72	9.0
24	36.0	576	2 x 288	18.0
48	72.0	2,304	2 x 1,152	36.0

Custom Coil Voltages available upon request.

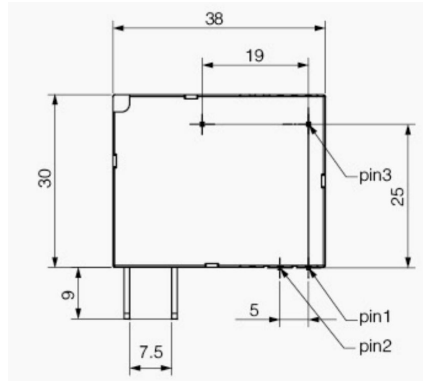
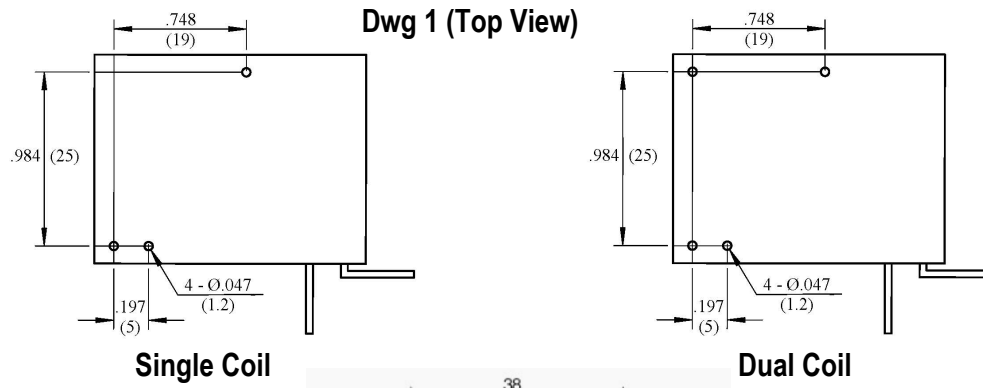
NOTES:

- With the Dual Coil Version, the Latch and Reset Coils should not be pulsed at the same time for it is possible to set the relay into a magnetically neutral position.
- Coils should not be pulsed with less than the rated coil voltage and the pulse width should be a minimum of three times the specified operate time. If not, it is possible for the relay to settle in a magnetically neutral position.
- PC9L-60 Relay is not Sealed and Water Washing is not Recommended
- Soldering via Wave Solder at 250° C for a Maximum of 2 seconds, Rjflow soldering is not recommended

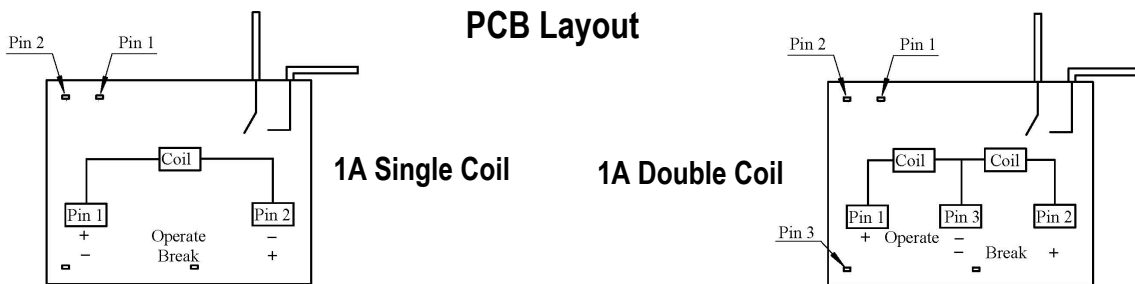
DIMENSIONS Inches (mm)



Relay Dimensions



Note: Dwg 2 has two straight 9mm Contact Pins



Wire Diagrams

