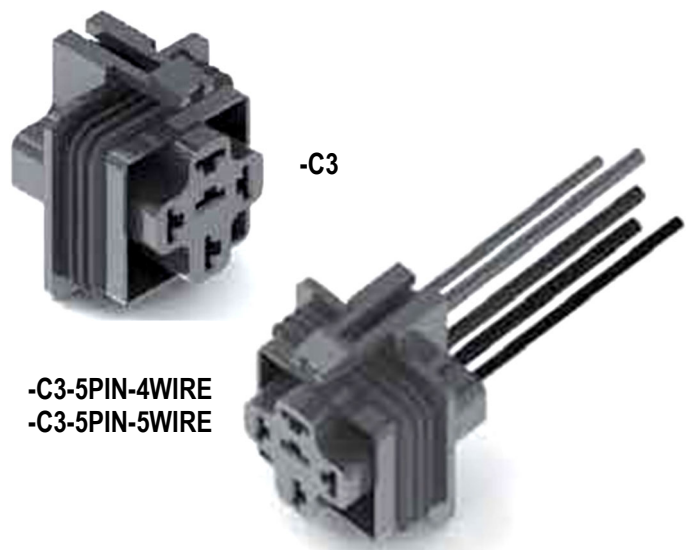


4 / 5 Pin Mini ISO Automotive Relay Socket	SC792-C3
---	-----------------



**For use with PC792A-C3
Weather Proof Case**

FEATURES

- Mini ISO Automotive Relay Socket
- Heat Stabilized Thermoplastic
- -40 to 140°C Operating Temperature
- For Use with Wire Harnessing
- Optional Crimp Terminals or with 12" Wires
- RoHS Compliant



ORDERING INFORMATION

Socket

Part Number	Description	Terminal	Form
SC792-C3	5 Pin Weatherproof Connector for Wire Harness.	Crimp	1A, 1C
SC792-C3-5PIN-4WIRE	Pin Connector with 4 Wire Harness, without Mounting Bracket, SPDT, 12" Wire Leads, 14 awg at Load Contacts 30 and 87, 18 awg at Coil Contacts 85 and 86 .	—	1A
SC792-C3-5PIN-5Wire	5 Pin Connector with 5 Wire Harness, without Mounting Bracket, SPDT, 12" Wire Leads, 14 awg at Load Contacts 30, 87 and 87a, 18 awg at Coil Contacts 85 and 86 .	—	1A, 1C

Accessories

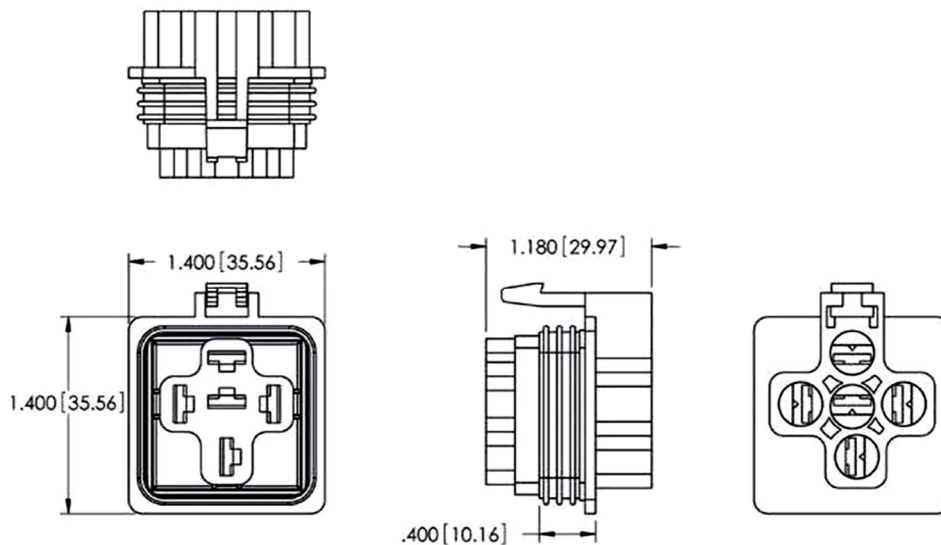
SC792-Seal-18-Orange	Orange Wire Seal for 18 ga Wire.	—	—
SC792-Seal-14-16-Grey	Grey Wire Seal for 14-16 ga Wire.	—	—
SC792-Seal-14-16-Yellow	Yellow Wire Seal for 12 ga Wire.	—	—
SC792-Plug	Grey Plug for Use In 1 Form A Open Circuit Applications.	—	—

DIMENSIONS (inches / mm)

TERMINAL COMPATIBILITY

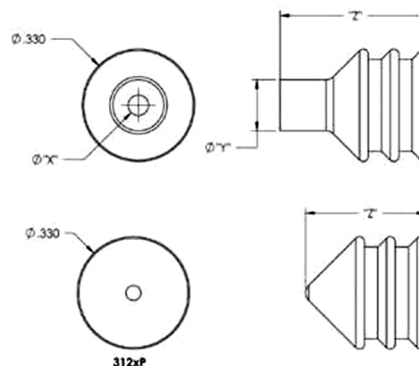
Order From	Part Number	AWG	Blade
TE Connectivity	42100	14-18	1/4"
TE Connectivity	42281	14-18	1/4"
TE Connectivity	42904	12-16	1/4"
TE Connectivity	60249	12-16	1/4"
TE Connectivity	60253	12-14	1/4"

Picker Components references these terminals to be used with our *Automotive Series Connectors. Current capability of the terminals depends on the gauge of wire used, the quality of the crimp, the addition of solder or a weld, operating conditions, temperature cycling, etc. Terminals to be purchased separately.



-C3 Socket

Part Number	"X"	"Y"	"Z"	Color
SC792-Seal-18-Orange	0.060	0.150	0.429	Orange
SC792-Seal-14-16-Grey	0.090	0.190	0.396	Grey
SC792-Seal-14-16-Yellow	0.130	0.230	0.376	Yellow
SC792-Plug	N/A	N/A	0.353	Grey



Seals and Plug