

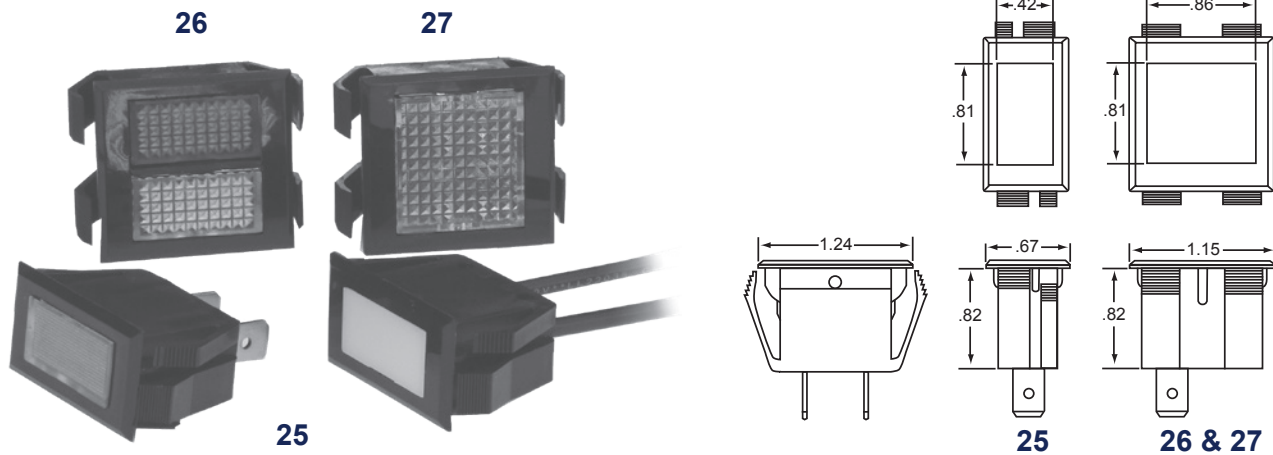
Series 25, 26, 27

Features

- Snap fits into panel cutout
- Incandescent and neon illumination
- Single or dual lenses
- Dummy (hole plugs) available

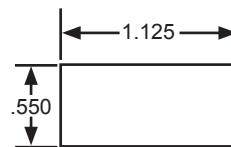
Specifications

- Body Material: Nylon
- Lens Material: Polycarbonate
- Wire Gauge: 18 ga.
- Panel Thickness: .020 to .250
- Certifications: Contact Us

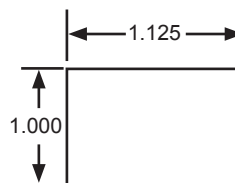


| Series | | Lamp | | Termination | | Base | | Bezel | | Lens | | | |
|--------|---------|----------------|-----------------|-------------|------|-------------|------|--------|------|-------------------------|------|-------|--------|
| XX | XX | - | X | - | X | X | - | XXX | X | X | | | |
| | Voltage | Type | Code | Style | Code | Color | Code | Finish | Code | Style | Code | Color | Plain |
| 25 | N/A | DUMMY | 00 | N/A | 0 | Matte White | 4 | None | 0 | Rectangular Translucent | 451 | Red | 1 |
| 26 | 6 | INCAND | 32 | 6" Wire | 1 | Matte Black | 5 | | | Rectangular Diamond | 453 | Amber | 2 |
| 27 | 14 | INCAND | 35 | .250 Tabs | 4 | | | | | Rectangular Line | 455 | Clear | 3 |
| | 28 | INCAND | 39 | Special | X | | | | | Square Translucent | 461 | Green | 4 |
| | 125 | NEON | 50 | | | | | | | Square Diamond | 463 | Blue | 5 |
| | 250 | NEON | 52 | | | | | | | Square Lines | 465 | White | 6 |
| | | | | | | | | | | | | Black | 7 |
| 2 | | ViviBright LED | 60 | | | | | | | | | Color | Marked |
| 6 | | ViviBright LED | 61 | | | | | | | | | Red | A |
| 14 | | ViviBright LED | 62 | | | | | | | | | Amber | B |
| 28 | | ViviBright LED | 63 | | | | | | | | | Clear | C |
| 125 | | ViviBright LED | 65 ¹ | | | | | | | | | Green | D |
| 250 | | ViviBright LED | 66 ¹ | | | | | | | | | Blue | E |
| | | Custom | XX | | | | | | | | | White | F |

Panel Cutout Series 25



Panel Cutout Series 26 & 27



| Series | Code |
|---------|-----------------------|
| 25 & 27 | 0 |
| 26 | Select 2nd lens color |

White is Translucent
Clear is Transparent

Additional Options Available:

Contact sales@solico.com

1. Wire leads only

Rectangular Indicators